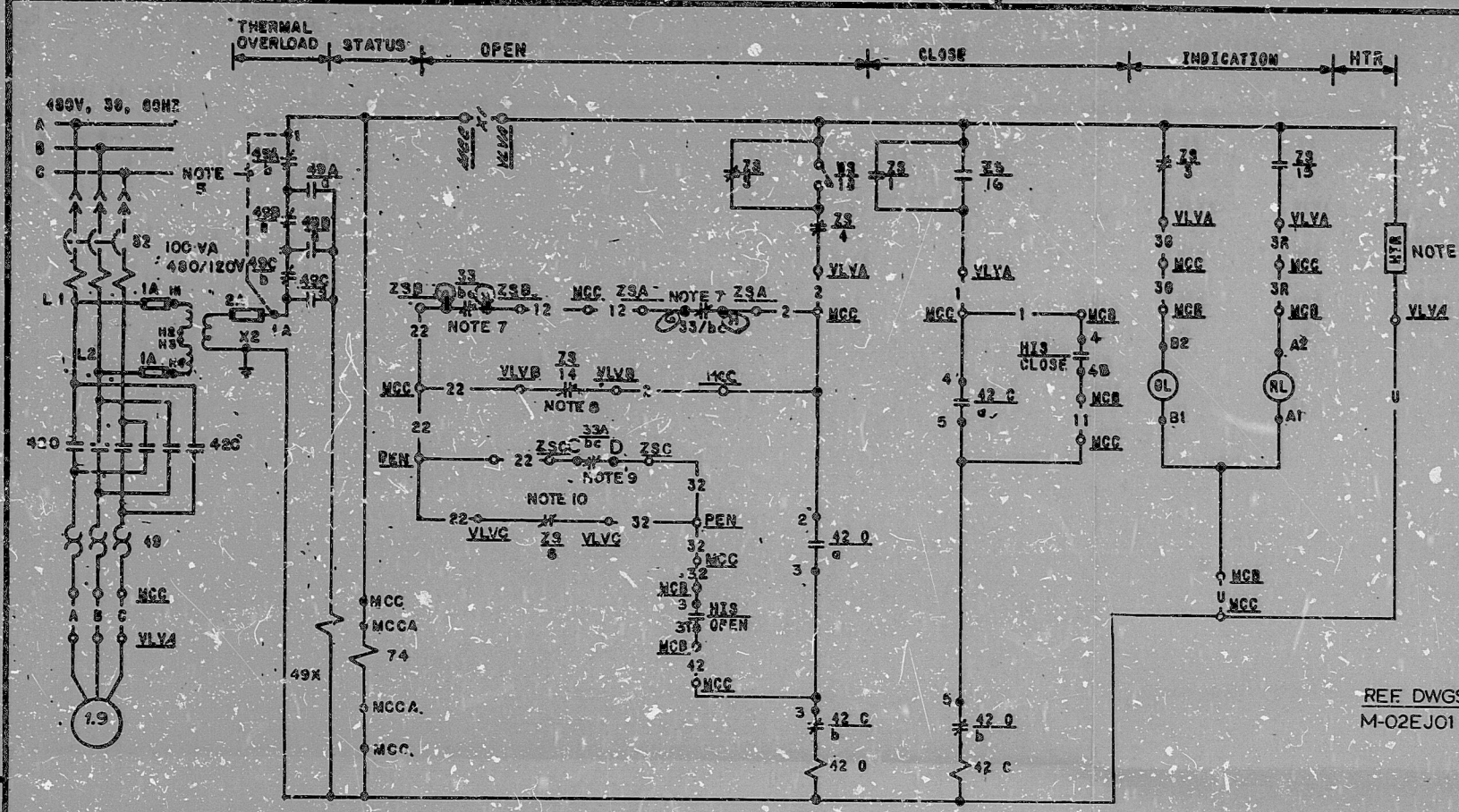


This drawing and the design it covers is the property of the utilities which are participating in the SHUPS Project. It is loaned on the borrower's express agreement that it will not be reproduced, copied, leased, exhibited, or used except in the limited way and private use permitted by written consent given by the SHUPS Utilities to the borrower.



OPEN		CONTACT			POSITION		
RL	RL		NORM	CLOSE	OPEN		
1	1-11	X	X				
3	1-31					X	
2	4-20	X					X
4	1-40			X			

CUTLER-HAMMER TYPE E30 JVB WITH TWO KLAS CONTACT BLOCKS

HAND INDICATING SWITCH HIS-SEE TABLE A MOMENTARY CONTACT

ZS	CONT	LIMIT SWITCH CONTACT DEVELOPMENT		FUNCTION
		VALVE POSITION	FUNCTION	
	1	FULL OPEN	FULL CLOSED	BYPASS CKY
	2			SPARE
	3			IND LIGHT
	4			OPEN CKY
	5			BYPASS CKY
	6			SPARE
	7			NOTE 2
	8			NOT USED
	9			SPARE
	10			SPARE
	11			SPARE
	12			NOTE 6
	13			NOTE 3
	14			COMPUTER
	15			IND LIGHT
	16			CLOSE CKY
	17	TORQUE SW	OPENS ON HZ CLOSING TORQUE	
	18	TORQUE SW	OPENS ON HZ OPENING TORQUE	

SOLID BAR INDICATES CONTACT CLOSED

- REF DWGS: M-02EJ01
- SEPARATE STEM MOUNTED SWITCHES ARE USED TO MAINTAIN PHYSICAL SEPARATION OF THE CIRCUIT WHICH INTERLOCKS VALVES OF ONE SEPARATION GROUP WITH VALVES OF A DIFFERENT SEPARATION GROUP. CABLES TO THESE SWITCHES SHALL BE ROUTED SEPARATELY FROM OTHER CABLES TO THE VALVES
 - INTERLOCK TO SCH. 4BNQ08B, SEE DWG. E-03BN08.
 - INTERLOCK TO SCH. 4BBG12B, SEE DWG. E-03BB12B
 - HEATER 40 WATTS, MANUFACTURER TYPE WARD LEONARD P/N 403
 - JUMPER TO BE INSTALLED PRIOR TO CORE LOADING
 - TO STATUS PANEL. SEE DWG E-03SA05.
 - CONTACT CLOSING ON SIS MINIFLOW 150 VLV CLOSED. SEE DWG E-03EM03
 - CONTACT CLOSING ON RHR LOOP 2 INLET 150 VLV CLOSED. SEE DWG. E-03EJ05B
 - CONTACT CLOSING ON RHR LOOP 2 INLET 150 VLV CLOSED. SEE DWG. E-03EJ05B
 - CONTACT CLOSING ON SIS PUMP MINIFLOW 150 VLV CLOSED. SEE DWG E-03BH08

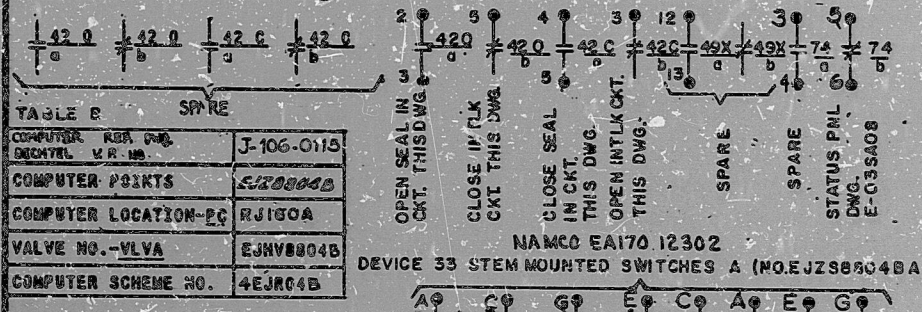
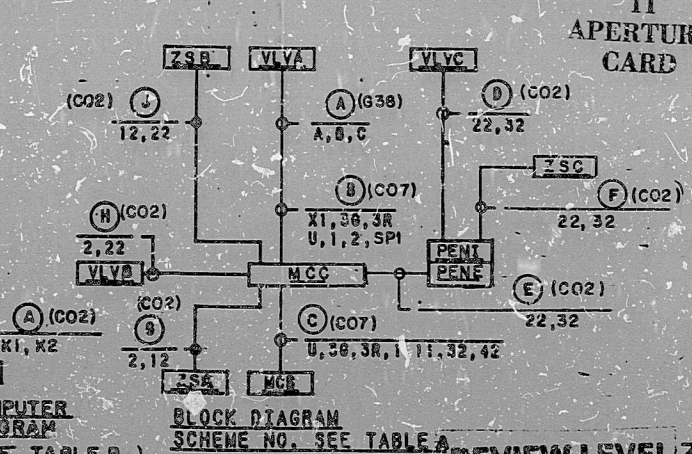
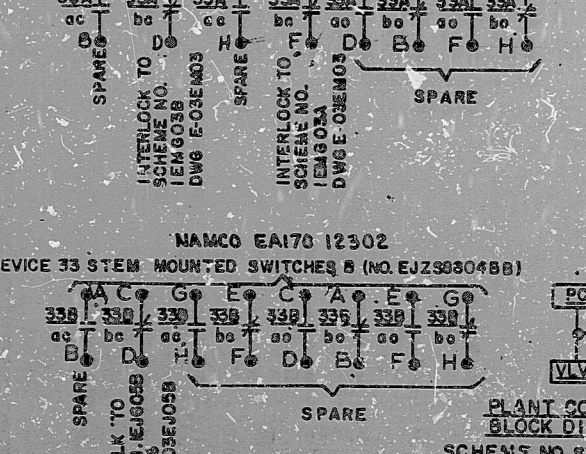


TABLE B SPARE

COMPUTER RBA DWG. BECHTEL W R 10	J-106-0115
COMPUTER POINTS	5120000B
COMPUTER LOCATION-PC	RJ180A
VALVE NO.-VLVA	6JNV8804B
COMPUTER SCHEME NO.	4EJR04B

TABLE A

MCC LOC. MCCA	N002AEF1
VALVE NO.-VLVC	6BPV8702B
PENETRATION-PEN	ZSE233
STEM MOUNTED SW	EJZS87012A
VALVE NO.-VLVB	6NHV8813
STEM MOUNTED SW	EMZS8814A
STEM MOUNTED SW	EMZS8814B
MCC LOCATION-MCC	N002AFR8
HIS NUMBER	6JNV8804B
HIS LOCATION-MCC	RL977
VALVE NO.-VLVA	6JNV8804B
SCHEME NO.	4EJR04B



NOTES:

REV'D	REV'D	REV'D	REV'D	REV'D	REV'D
1	2	3	4	5	6
DATE	DATE	DATE	DATE	DATE	DATE
BY	BY	BY	BY	BY	BY
CHKD	CHKD	CHKD	CHKD	CHKD	CHKD
APP'D	APP'D	APP'D	APP'D	APP'D	APP'D

SCALE: DESIGNED CAP. DRAWN CAD. CHECKED

BECHTEL
8212N18830, MARYLAND

SHUPS

SCHEMATIC DIAGRAM
RHR PUMP 2 TO CHARGING PUMP VALVE

UTILITY DRAWING NO.	REV.
10486	E-03EJ04B (Q)

I certify that the image contained on this frame was made in the normal and regular course of business, on the date stated below and that it is an accurate reproduction of the document(s) submitted to Micrographics.

DATE: 4/13/83 OPERATOR: Mark [unclear] SUPERVISOR: [unclear]

8410050346

PDR RIDS

