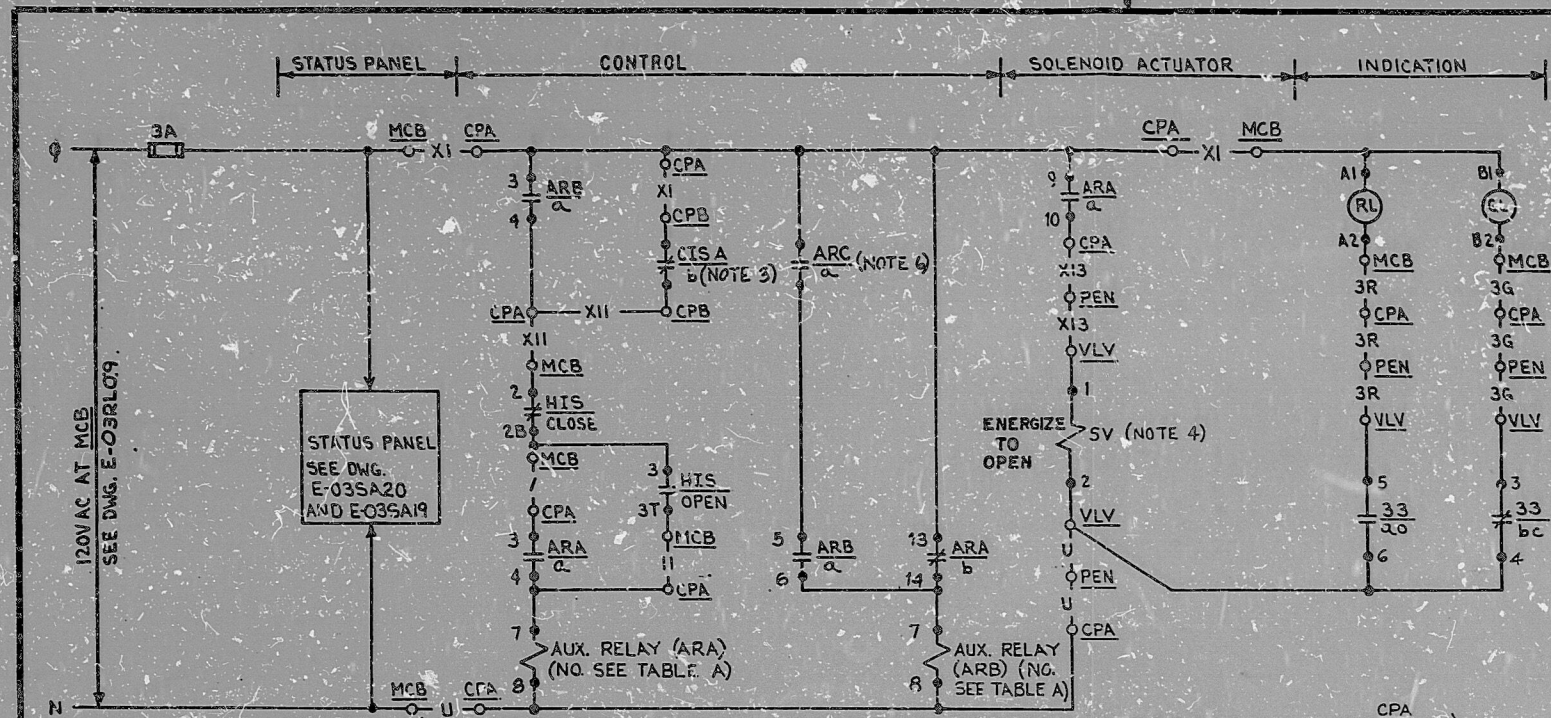


This drawing and the design it covers is the property of the utilities which are participating in the SUPPS Project. It is loaned to the borrower's express agreement that it will not be reproduced, copied, loaned, exhibited, or used except in the limited way and private use permitted by written consent given by the SUPPS Utilities to the borrower.



OPEN	CONTACT	POSITION
GL RL	HORN	CLOSE OPEN
CLJSE	1-11-T	X X
	3-11-3T	X X
	2-11-2E	X X
	4-11-4E	X X

CHUTE-HAMMER TYPE E30 JY9 WITH TWO KLA-3 CONTACT BLOCKS

HAND INDICATING SWITCH HIS-SEE TABLE MOMENTARY CONTACT

DEVICE 33 POSITION SWITCHES			
CONTACT	VALVE POSITION		FUNCTION
	CLOSED	OPEN	
3-11-3T			GREEN LIGHT THIS DWG.
5-11-5T			RED LIGHT THIS DWG.

SOLID BAR INDICATES CONTACT CLOSED

REF. DWGS:

- M-02SJ01
- J-02SJ01
- M-02SJ04
- J-02SJ03

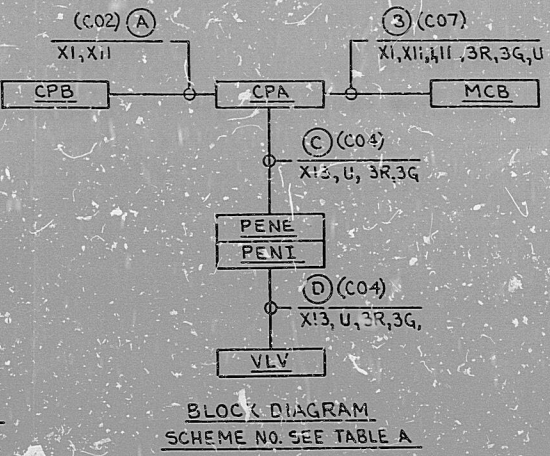
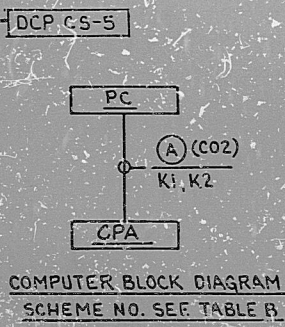
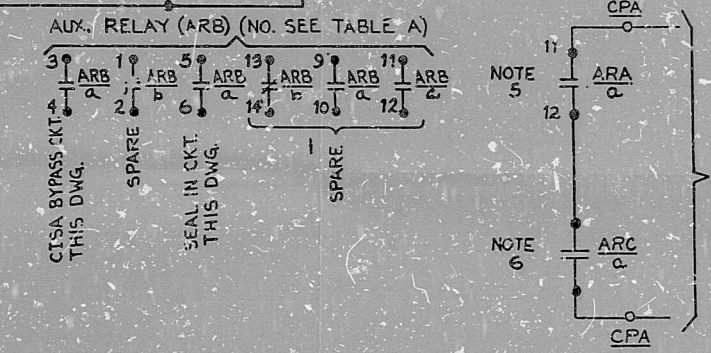
- CONTACT CLOSING ON CONTAINMENT ISOLATION SIGNAL FOR RELAY NOS. SEE TABLE A. FOR CONTACT NOS. SEE DWG. E-03SJ05.
- CONTACT IS CLOSED WHEN VALVE IS OPEN. FOR RELAY NO. SEE TABLE A.
- SOLENOID COIL IS D.C. OPERATED VIA A VENDOR SUPPLIED RECTIFIER AND ZENER DIODE CIRCUIT SEE BECHTEL V.P. NO. E-03SA-0070 AND J-03SA-0072
- CONTACT OPENS ON CONTAINMENT ISOLATION SIGNAL REFER WESTINGHOUSE DWG. BECHTEL V.P. NO. M-767-152
- DELETED

TABLE B

COMPUTER REF. DWG. BECHTEL V.P. NO.	J-106-0115	J-106-0115	J-106-0115	J-106-0115
COMPUTER POINT	SJZ5	SJZ12	SJZ18	SJZ12B
COMPUTER LOCATION-PC	RJ160A	RJ160A	RJ160A	RJ159A
CONTROL PANEL-CPA	RP210	RP210	RP210	RP332
SCHEME NO.	4SJRO1A	4SJRO1B	4SJRO1C	4SJRO1D

TABLE A

C/S RELAY NO.	K631	K631	K630	K631
CISA CONTACT NO.	1-2	13-14	9-10	7-8
AUX RELAY (ARC) NO.	3XSJ02	3XSJ02	3XSJ02	3XSJ31
AUX RELAY (ARB) NO.	3XSJ04	3XSJ08	3XSJ12	3XSJ35
AUX RELAY (ARA) NO.	3XSJ06	3XSJ10	3XSJ14	3XSJ33
PENETRATION NO.-PEN	ZSE233	ZSE233	ZSE233	ZNE278
CONTROL PANEL-CPB	SB032C	SB032C	SB032C	SB029C
CONTROL PANEL-CPA	RP210	RP210	RP210	RP332
HIS NUMBER	SJHIS5	SJHIS12	SJHIS18	SJHIS12B
HIS LOCATION-MCB	RL011	RL011	RL011	RL011
VALVE NO.-VLV	SJHV5	SJHV12	SJHV18	SJHV12B
SCHEME NO.	4SJY01A	4SJY01B	4SJY01C	4SJY01D



NOTES:

REV'D NOTE 4	REV'D	DES	CHK	APP	DATE
ISSUED FOR CONST.	HS	EC	EC	EC	EC

BECHTEL
GAITHERSBURG, MARYLAND

SNUPPS

SCHEMATIC DIAGRAM
NUCLEAR SAMPLING SYSTEM
CTMT ISOLATION VALVES

SCALE	DESIGNED HS	DRAWN LEC	CHECKER	DATE
NO.	DATE	REVISION	BY	CHK
10480				

REVIEW LEVEL 3

I certify that the image contained on this frame was made in the normal and regular course of business, on the date stated below and that it is an accurate reproduction of the document(s) submitted to Micrographics.



PDR RIDS

8410050057

