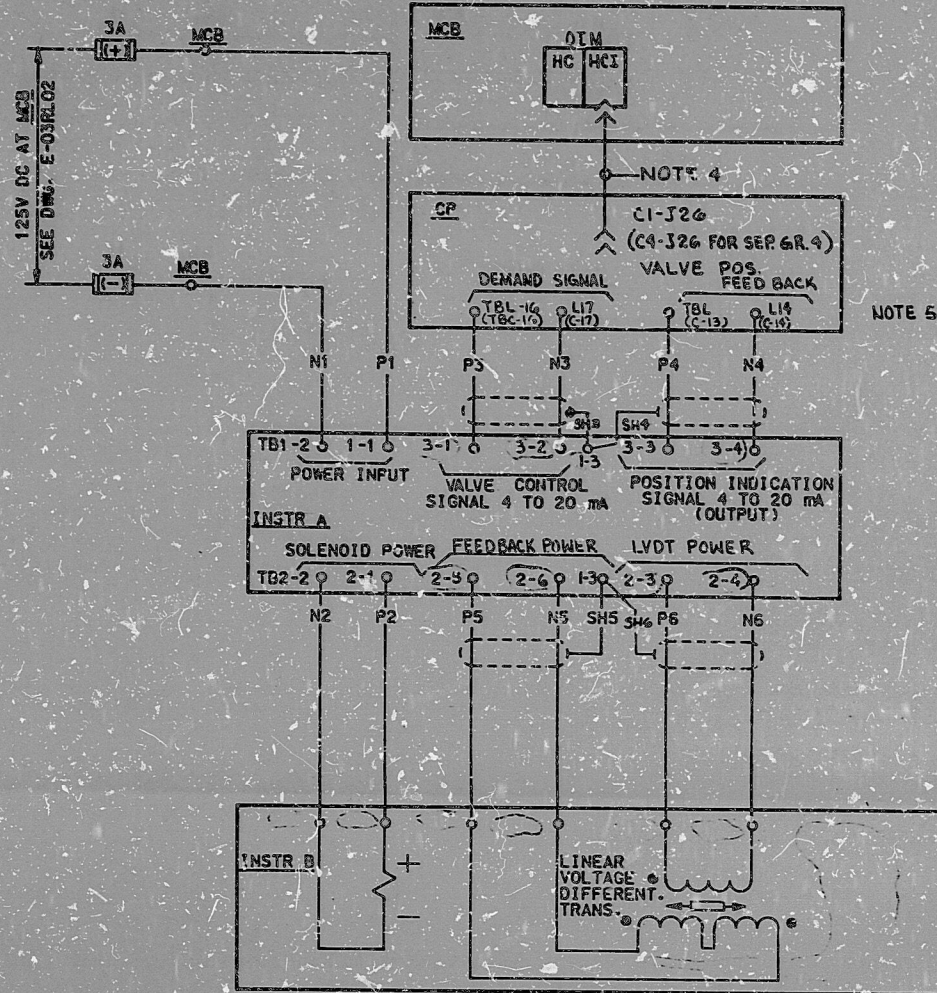
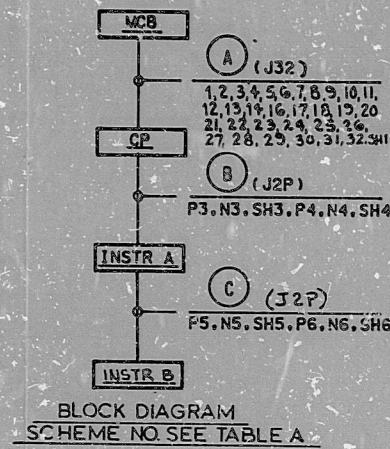


SMIPPC FORMAT  
REV. 10/13/81

This drawing and the design it covers is the property of the utilities which are participating in the Snupps Project. It is loaned on the borrower's express agreement that it will not be reproduced, copied, loaned, exhibited, or used except in the limited way and private use permitted by written consent given by the Snupps Utilities to the borrower.



NOTE 5



BLOCK DIAGRAM  
SCHEME NO SEE TABLE A

REFERENCE DWGS:

- M-02 B603
- M-724-0458

- 5. TB & POINT NO'S IN PARENTHESES ARE RELATED TO SCHEME 4B6152B.
- 4. FOR CABLE CODE & WIRE NOS SEE TABLE A
- 3. DELETED
- 2. 4 mA CORRESPONDS TO FULLY CLOSED VALVE POSITION. 20 mA TO FULLY OPEN.
- 1. VALVE FAILS CLOSE.

NOTES:

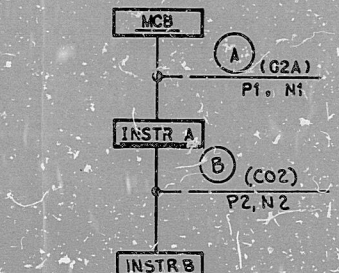
NO.	DATE	REVISIONS	BY	CHEK	DESIGNED	ENGR	PROJ. LEAD
1	7/1/82	REVISED TABLE A TERM AT CP POWER TERM SHOWN IN INSTR A	BD	BD	BD	BD	BD
2	7/1/82	INCORP. SFR 2-BG-013A IN REV. 1. REV'D TERM'S IN CONTROL PANEL SHOWN IN INSTR A	BD	BD	BD	BD	BD
3	7/1/82	ISSUED FOR CONSTRUCTION IN INSTR A. SFR 2-BG-013A	BD	BD	BD	BD	BD

TABLE A

HAND CONTROLLER NO. (HC)	B3KCR357A	B6HC0357B
POSITION INDICATOR NO. (HCI)	B6HCL3357A	B6HCI0357B
HC & HCI LOC. - MCB	R1001	R1001
CONTROL PANEL - CP	58038	58041
CONTROLLER LOC. - INSTR A	B6RC0357A	B6RC0357B
SOLENOID & LINEAR VOLTAGE DIFFERENTIAL TRANSMITTER LOC. - INSTR B	B6ZT8357A	B6ZT8357B
VALVE NO.	B6HV8357A	B6HV8357B
SCHEME NO.	1B6I52A	4B6I52B

TABLE B

MCB LOC. - MCB	R1001	R1001
CONTROLLER LOC. - INSTR A	B6RC0357A	B6RC0357B
SOLENOID COIL & LVDT LOC. - INSTR B	B6ZT8357A	B6ZT8357B
VALVE NUMBER	B6HV8357A	B6HV8357B
SCHEME NO.	1B6K52A	4B6K52B



BLOCK DIAGRAM  
FOR SCHEME NO. SEE TABLE B

TI  
APERTURE  
CAFD

REVIEW LEVEL 3

BECHTEL GAITHERSBURG, MARYLAND	
SNUPPS	
SCHEMATIC DIAGRAM RCP SEAL INJECTION FLOW THROTTLING VALVES	
UTILITY DRAWING NO.	REV
BECHTEL DRAWING NO.	REV
10466	E-03B652(Q) 3
DRAWING APPLICABLE TO UNITS 1 2 3 4 5 6 7 8 9 10 11 12	

DFN-  
154.4 1 E033652 .05N

