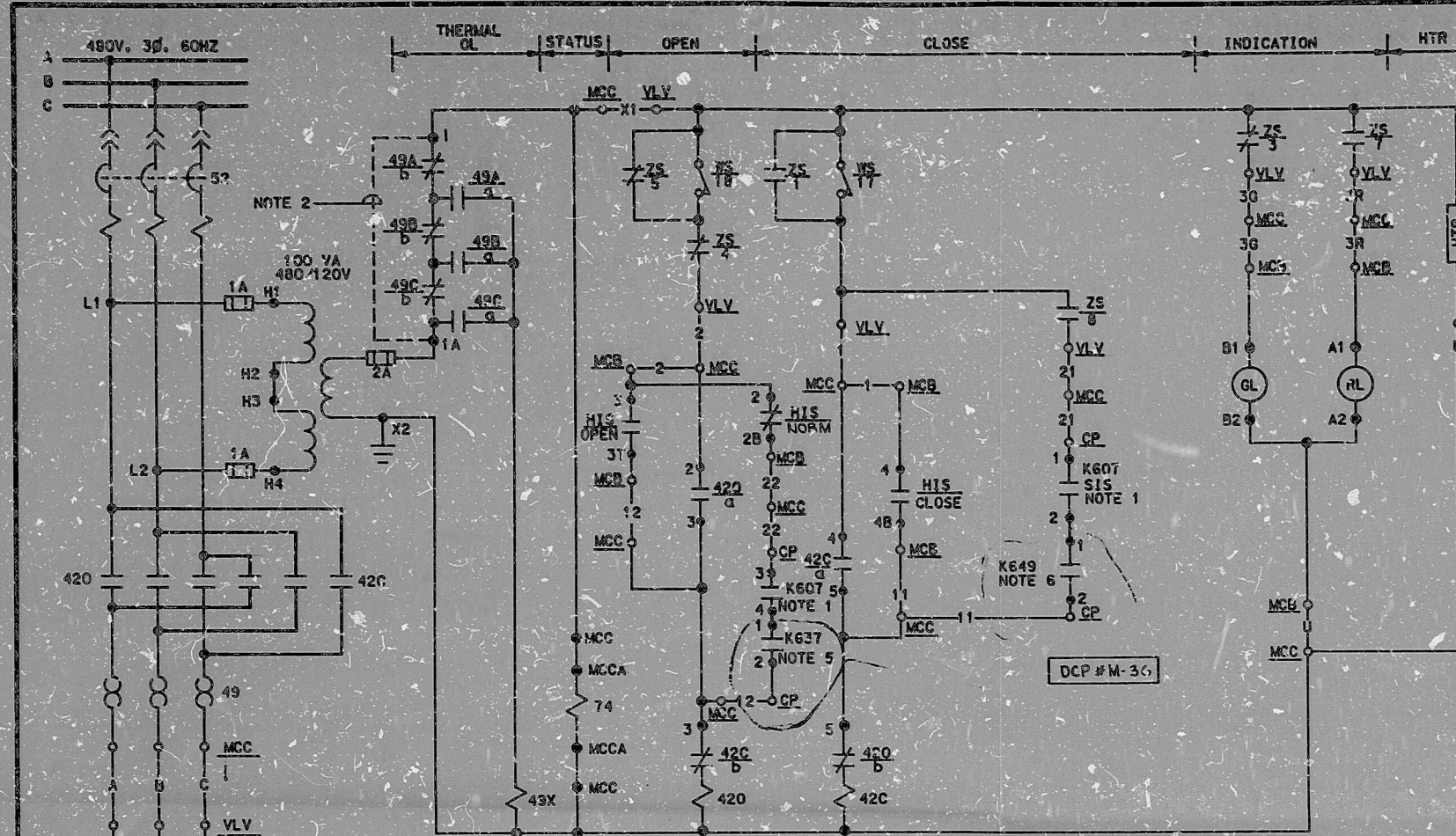


SMUPPC FORM 1  
REV. 10/13/81

This drawing and the design it covers is the property of the utilities which are participating in the SNUPPS Project. It is loaned on the borrower's express agreement that it will not be reproduced, copied, loaned, exhibited or used except in the limited way and under the conditions given by the SNUPPS Utilities to the borrower.



OPEN		CONTACT		POSITION		
GL	PL	1	2	NORM	CLOSE	OPEN
		1	1T	X		X
		3	3T		X	X
		3	2B	X		X
		4	4B		X	X

CUTLER-HAMMER TYPE E30 JY-9 WITH TWO KLA3 CONTACT BLOCKS

HAND INDICATING SWITCH HIS-SEE TABLE A MOMENTARY CONTACT

RESET		CONTACT		POSITION	
GL	PL	1	2	NORM	RESET
		1	1T	X	
		3	3T		X

CUTLER-HAMMER TYPE E30AA WITH ONE KLA4 CONTACT BLOCK

HAND SWITCH HS-SEE TABLE C MOMENTARY CONTACT

LIMIT SWITCH CONTACT DEVELOPMENT			
ROTOR	CONTACT	VALVE POSITION	FUNCTION
		FULL OPEN	FULL CLOSED
OPEN	1		BYPASS CKT
	2		SPARE
	3		IND LIGHT
	4		OPEN CKT
CLOSE	5		BYPASS CKT
	6		NOTE 4
	7		IND LIGHT
	8		CLOSE CKT
ZS	9		SPARE
	10		SPARE
	11		SPARE
	12		SPARE
	13		SPARE
	14		SPARE
INT-1	15		COMPUTER
	16		SPARE
INT-2	17		SPARE
	18		SPARE

17 TORQUE SW OPENS ON HI CLOSING TORQUE  
18 TORQUE SW OPENS ON HI OPENING TORQUE

SOLID BAR INDICATES CONTACT CLOSED

- REFERENCE DWG:  
M-028603
- CONTACT CLOSURES ON HIGH INJECTION FLOW. FOR DETAILS SEE WESTINGHOUSE D.G. BECHTEL V.P. M767-184.
  - CONTACT CLOSURES ON LOW INJECTION FLOW. FOR DETAILS SEE WESTINGHOUSE D.G. BECHTEL V.P. M767-184.
  - TO STATUS PANEL. SEE DWG. E-035A04.
  - HEATER 25 WATTS. MANUFACTURER TYPE WARD LEONARD P/N 25F750WL.
  - JUMPER TO BE INSTALLED PRIOR TO CORE-LOADING.
  - SIS CONTACT CLOSURES ON SAFETY INJECTION SIGNAL. FOR DETAILS SEE WESTINGHOUSE D.G. BECHTEL V.P. M767-180.
- NOTES:

TABLE B

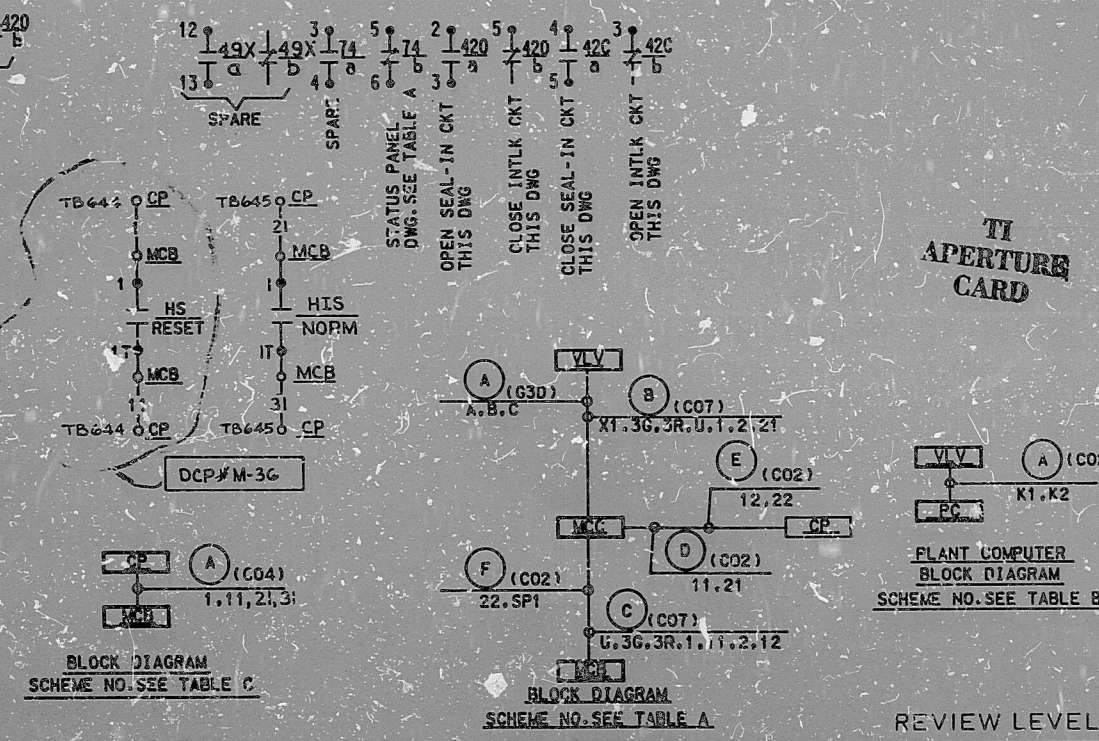
COMPUTER REF. DWG. BECHTEL V.P. NO.	J-106-0115	J-106-0115
COMPUTER POINT	BGZ8110	BGZ8111
VALVE NO. - VLV	BGHV8110	BGHV8111
COMPUTER LOCATION - PC	RJ159A	RJ160A
COMPUTER SCHEME NO.	1BGR11C	4BGR11D

TABLE C

HIS NUMBER	BGHIS8110	BGHIS8111
HIS NUMBER	BGHIS8110	BGHIS8111
HIS # HIS LOCATION - MCB	RL001	RL001
CONTROL PANEL - CP	SB029C	SB032C
SCHEME NO.	1BGR11C	4BGR11D

TABLE A

74/Ø STATUS PNL DWG.	E-035A06	E-035A09
MCCA LOC. - MCCA	NG01ADF1	NG02AEF1
CONTROL PANEL - CP	SB029C	SB032C
HIS NUMBER	BGHIS8110	BGHIS8111
MCC LOCATION - MCC	NG01ACF5	NG02AHR1
HIS LOCATION - MCB	RL001	RL001
VALVE NO. - VLV	BGHV8110	BGHV8111
SCHEME NO.	1BGR11C	4BGR11D



TI APERTURE CARD

NO.	DATE	REVISION	BY	CHK	APP	DATE
1						

SCALE: DESIGNED BY: DRAWN BY: CHECKED BY: DATE: 10/11/81

BECHTEL  
GAITHERSBURG, MARYLAND

SNUPPS  
SCHEMATIC DIAGRAM  
CHARGING PUMP TO REACTOR COOLANT AND MINIFLOW ISOLATION VALVES

UTILITY DRAWING NO.	REV
BECHTEL DRAWING NO.	REV
10466	E-03BG11B(0) 2

DRAWING APPLICABLE TO: 112111A, 112111B, 112111C

GFR-154.4 1E03BG11B .0GN

I certify that the image contained on this frame was made in the normal and regular course of business, on the date stated below and that it is an accurate reproduction of the document(s) submitted to Micrographics.

8410040415

PDR RIDS

