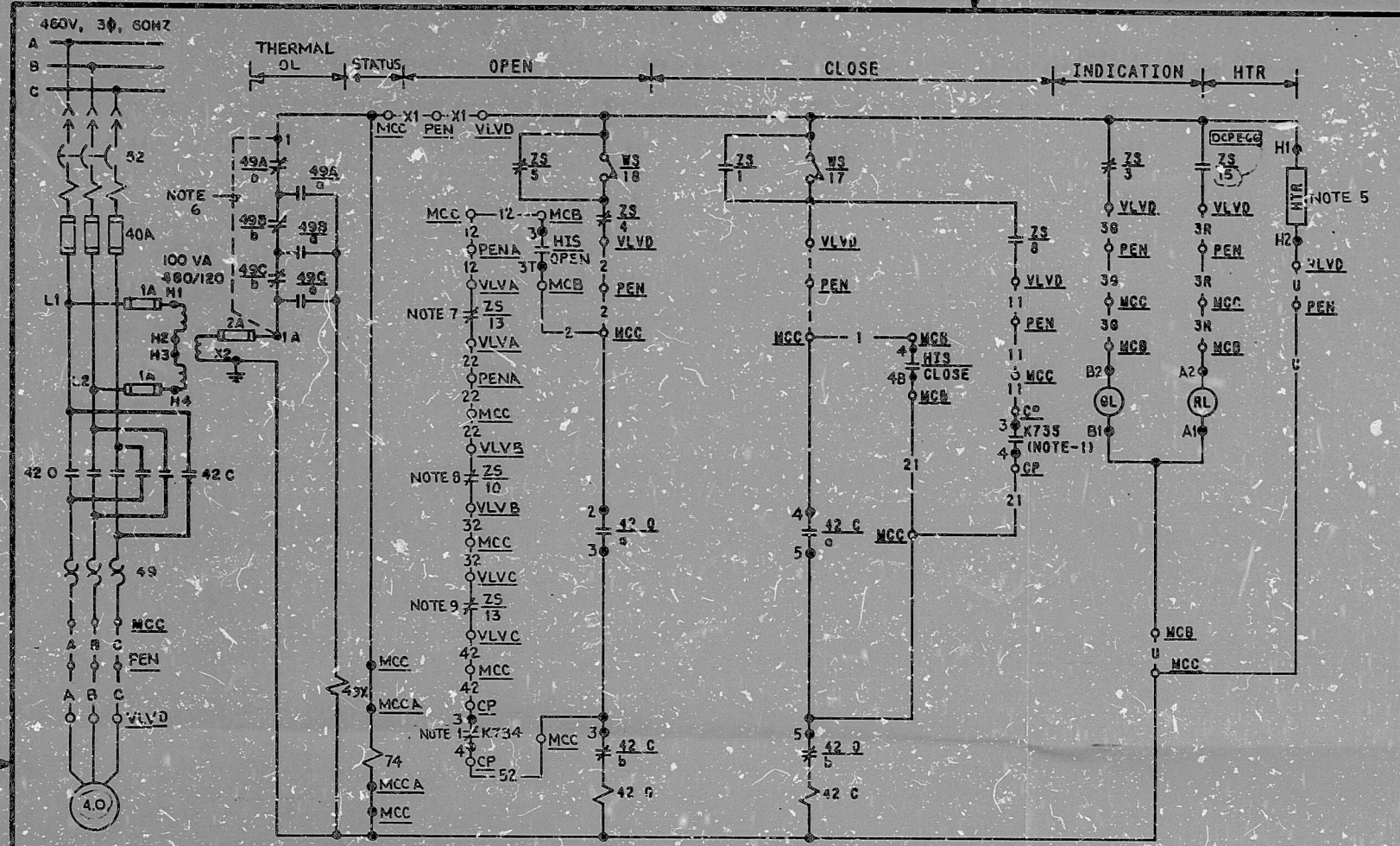


This drawing and the design it covers is the property of the utilities which are participating in the SHUPTS Project. It is loaned to the borrower's express agreement that it will not be reproduced, copied, formed, exhibited, or used except in the limited way and private use permitted by written consent given by the SHUPTS utilities to the borrower.



OPEN		CONTACT		POSITION	
GL	RL	1-11-01T	X	X	
CLOSE		3-11-01T			X
		2-11-01T	X		X
		4-11-01T		X	

CUTLER-HAMMER TYPE E30 JY-9 WITH TWO K1A3 CONTACT BLOCKS

HAND INDICATING SWITCH HIS-SEE TABLE MOMENTARY CONTACTS

ROTOR	CONT	VALVE POSITION		FUNCTION
		FULL OPEN	FULL CLOSED	
ZS	1			BYPASS CKT
	2			SPARE
	3			IND LIGHT
	4			OPEN CKT
ZS	5			BYPASS CKT
	6			NOTE 2
	7			SPARE
	8			CLOSE CKT
INT. 1	9			SPARE
	10			SPARE
	11			NOTE 10
	12			SPARE
INT. 2	13			NOTE 3
	14			NOTE 4
	15			IND. LIGHT
	16			SPARE
WS	17			TORQUE SW OPENS ON HI CLOSING TORQUE
	18			TORQUE SW OPENS ON HI OPENING TORQUE

- SOLID BAR INDICATES CONTACT CLOSED.
10. COMPUTER INPUT SEE DWG. E-03BB17, SCHEME 4EBR17B.
  9. CONTACT CLOSING ON RHR PUMP 2 TO CHARGING PUMP VALVE CLOSED. SEE SCH. 4EJG04B DWG. E-03EJ04B.
  8. CONTACT CLOSING ON RWST TO RHR PUMP 2 ISOLATION VALVE CLOSED. SEE SCHEME 4BNG03B. DWG. E-03BN03.
  7. CONTACT CLOSING ON SUPP TO NO. 2 RHR PUMP VALVE CLOSED. SEE SCHEME 4EJG06E. DWG. E-03EJ06B.
  6. JUMPER TO BE INSTALLED PRIOR TO CORE LOADING.
  5. HEATER, 25 WATTS, MANUFACTURER TYPE WARD LEONARD P/N 25F750WL OR EQUAL.
  4. FOR RWST LEVEL TEST CKT. SEE SCH. 4RPS17B DWG. E-03BB17.
  3. INTERLOCK WITH SCH. 4EJG06B. SEE DWG. NO. E-03EJ06B.
  2. INTERLOCK WITH SCH. 4EJG04B. SEE DWG. NO. E-03EJ04B.
  1. K734 OPENS ON HIGH-1 AND K735 CLOSING ON HIGH-2 RCS PRESSURE. FOR DETAILS, SEE WESTINGHOUSE DWG. BECHTEL V P NO. M-767-18C.

NOTES:

NO.	DATE	REVISIONS	BY	CHK	DESIGN	DATE
1	7/1/74	REV'D LIMIT SW CONTACT DEV TO INC. DCPE-66				
2	7/1/74	REV'D HP RATING TO AGREE WITH AS-BUILT & INC. STR. 2-Y-155A				
3	7/1/74	ISSUED FOR CONSTRUCTION				

SCALE: DESIGNED: CAP DRAWN: CAD CHECKED: ESKR

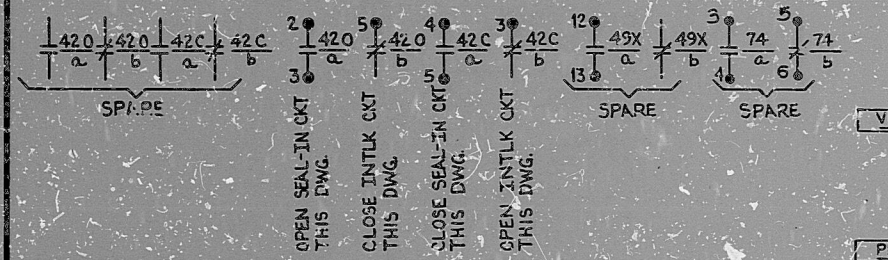
**BECHTEL**  
BAITERSBURG, MARYLAND

**SHUPTS**

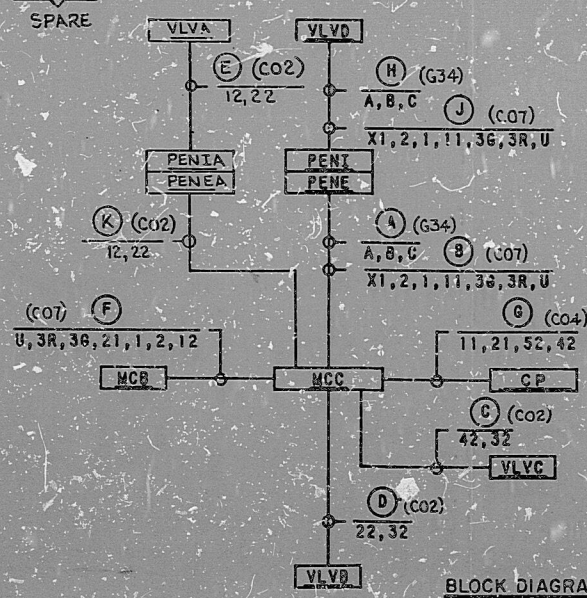
**SCHEMATIC DIAGRAM**  
RHR LOOP 2 INLET ISOLATION VALVE

ITERITY NUMBER	REV
1048C	7

DATE: 1048C DRAWING NO.: E-03BB12B (Q) 7



MCCA LOC.-MCCA	NG02BFRI
PENETRATION A LOC-PENA	ZSE216
CONTROL PANEL-CP	SBC32D
PENETRATION-PEN	ZSE233
HIS NUMBER	BBHS9702B
VLV LOCATION-VLV C	EJHV0804B
VLV LOCATION-VLV B	BHHV0812B
VLV LOCATION-VLV A	EJHV0811B
MCC LOCATION-MCC	NS028BF3
HIS LOCATION-MCB	RL017
VALVE NUMBER-VLV D	BBPV0702B
SCHEME NUMBER	488612B



REFERENCE DWG:  
M-02BR01

TI  
APERTURE  
CARD

REVIEW LEVEL 3

BLOCK DIAGRAM  
SCHEME NO. SEE TABLE

I certify that the image contained on this frame was made in the normal and regular course of business, on the date stated below and that it is

8410040353

PDR RIDS

