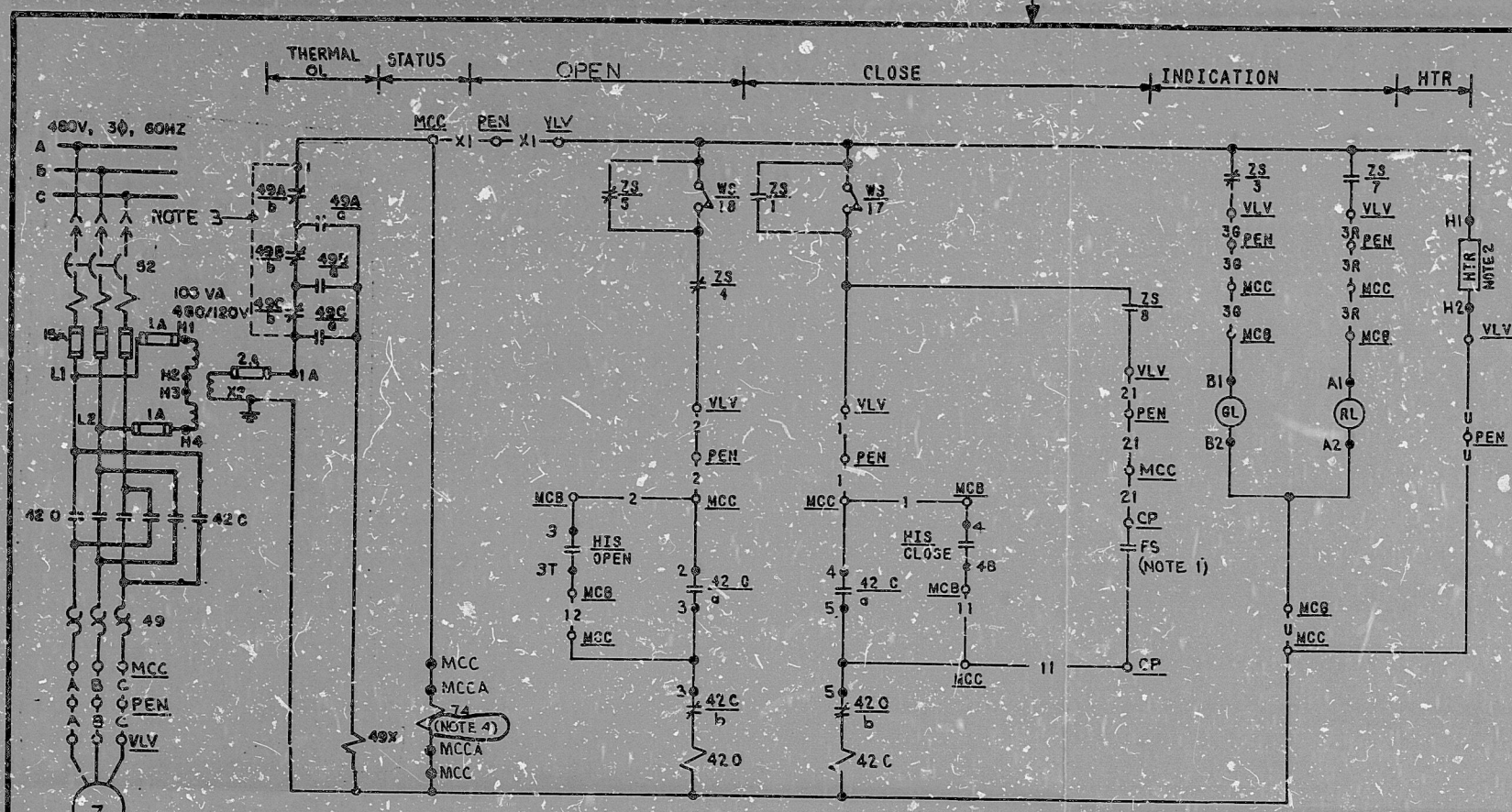


This drawing and the design it covers is the property of the Utilities which are participating in the SNUPPS Project. It is loaned on the borrower's express agreement that it will not be reproduced, copied, loaned, exhibited, or used except in the limited way and private use permitted by written consent given by the SNUPPS Utilities to the borrower.



OPEN		CLOSE	
GL	RL	GL	RL

CONTACT	POSITION		
	NORM	CLOSE	OPEN
1-N-1T	X	X	
3-N-3T			X
2-N-2B	X		X
4-N-4B		X	

CUTLER-HAMMER TYPE E30 JY9 WITH TWO KLA3 CONTACT BLOCKS

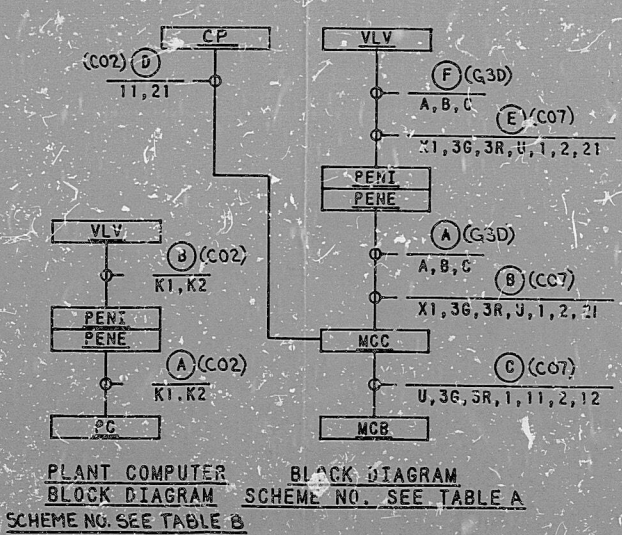
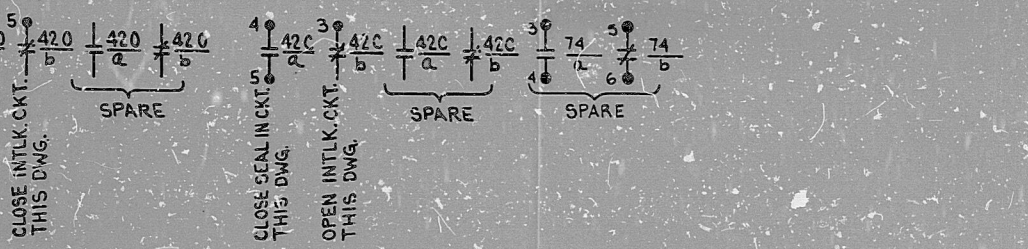
HAND INDICATING SWITCH HIS-SEE TABLE A MOMENTARY CONTACT.

ROTOR	CONTACT	VALVE POSITION		FUNCTION
		FULL OPEN	FULL CLOSED	
OPEN	1			BYPASS CKT
OPEN	2			COMPUTER
OPEN	3			IND LIGHT
OPEN	4			OPEN CKT
CLOSE	5			BYPASS CKT
	6			SPARE
ZS	7			IND LIGHT
	8			CLOSE CKT
INT. 1	9			SPARE
	10			SPARE
INT. 2	11			NOT USED
	12			SPARE
WS	13			SPARE
	14			SPARE
WS	15			NOT USED
	16			SPARE
WS	17	TORQUE SW	OPENS ON HI CLOSING TORQUE	
	18	TORQUE SW	OPENS ON HI OPENING TORQUE	

SOLID BAR INDICATES CONTACT CLOSED.

COMPUTER REF. DWG. BECHTEL V. NO.	J-106-015	J-106-015	J-106-015	J-106-015
PENETRATION-PEN	ZNE277	ZNE277	ZNE277	ZNE277
COMPUTER POINT	BB213	BB214	BB215	BB216
COMPUTER LOCATION-PC	RJ159A	RJ159A	RJ159A	RJ159A
VALVE NO.-VLV	BBHV13	BBHV14	BBHV15	BBHV16
COMPUTER SCHEME NO.	188R03A	188R03B	188R03C	188R03D

HIS NUMBER	BBHIS13	BBHIS14	BBHIS15	BBHIS16
FS NUMBER	BBFS17	BBFS18	BBFS19	BBFS20
CONT. PNL. LOC-CP	RP053AC	RP053AC	RP053AC	RP053AC
PENETRATION-PEN	ZNE277	ZNE277	ZNE277	ZNE277
MCC LOCATION-MCC	NG03CF4	NG03CF1	NG03CF4	NG03CF2
HIS LOCATION-MCR	RL021	RL021	RL021	RL021
VALVE NO.-VLV	BBHV13	BBHV14	BBHV15	BBHV16
MCC LOCATION-MCCA	NG03CF1	NG03CF1		
SCHEME NO.	188603A	188603B	188603C	188603D



- REFERENCE DWGS:
 H-02BB03
 J-02BB01
- STATUS RELAY "74" IS APPLICABLE FOR SCHEMES 188603A & 188603B ONLY.
 - JUMPER TO BE INSTALLED PRIOR TO CORE LOADING.
 - HEATER, 25 WATTS, MANUFACTURER WARD LEONARD P/N 25F750WL OR EQUAL.
 - BISTABLE CONTACT CLOSES ON HIGH THERMAL BARRIER CCW DISCHARGE. SEE REF. DWG. J-110-0708 THRU-0711.

NOTES:

NO.	DATE	REVISION	BY	CHK	DESIGN	DATE	BY	CHK
1	7/8/80	ISSUED FOR CONSTRUCTION	JY					
2	11/4/83	REV'D MCC NO. 1 AS NOTED						
3	11/4/83	ADDED NOTE 4 TO REFLECT AS-BUILT (DCR# 11-B-15)						
4	11/4/83	ADDED STATUS RELAY 74 TO INC. SFR-1-EG-29						
5	7/8/80	ISSUED FOR CONSTRUCTION	JY					

SCALE: DESIGNED CAP DRAWN CAD ONE OF FOUR

BECHTEL
 GAITHERSBURG, MARYLAND

SNUPPS

SCHEMATIC DIAGRAM
 RCP THERMAL BARRIER CCW ISO VALVES

UTILITY DRAWING NO.	REV

JOB NO.	BECHTEL DRAWING NO.	REV
19486	E-038803 (Q)	7

DATE: 11/4/84 OPERATOR: [Signature]

REVIEW LEVEL 3

I certify that the image contained on this frame was made in the normal and regular course of business, on the date stated below and that it is an accurate reproduction of the document(s) submitted to Micrographics.

8410040341

PDR RIDS

