

This drawing and the design it covers is the property of the Utilities which are participating in the SNPPS Project. It is loaned to the borrower's express agreement that it will not be reproduced, copied, loaned, exhibited, or used except in the limited way and private use permitted by written consent given by the SNPPS Utilities to the borrower.

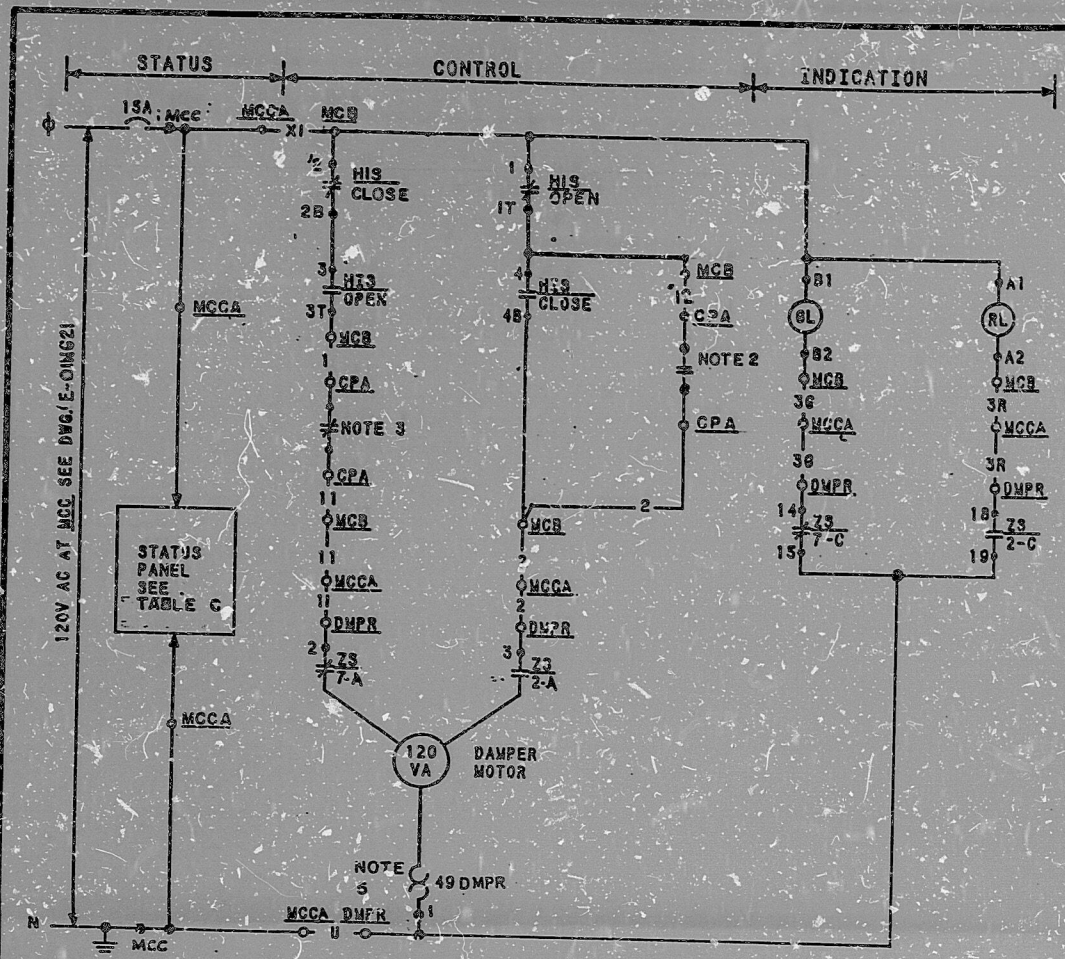


TABLE C

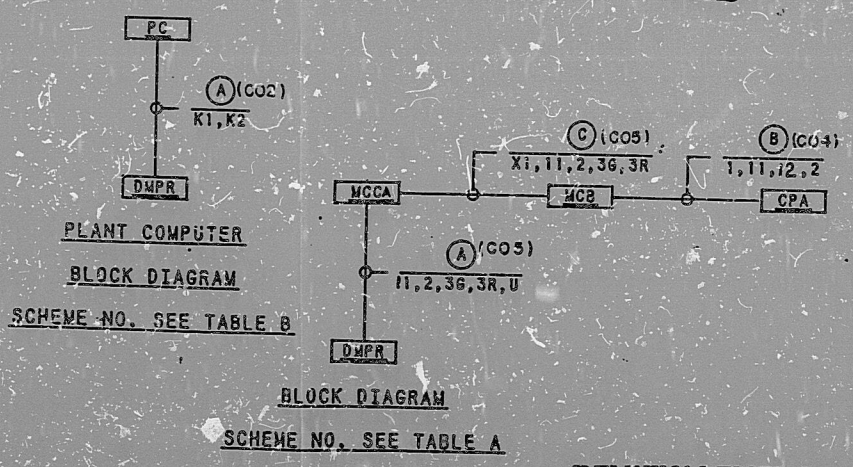
STATUS PNL REF.	E-03SA19	E-03SA20	E-03SA19	E-03SA20
-----------------	----------	----------	----------	----------

TABLE R

REFER COMP DWG	J-106-0115	J-106-0115	J-106-0115	J-106-0115
BECHTEL V.P. NO.				
COMPUTER POINT NO.	6TZ26	6TZ27	6TZ28	6TZ29
COMPUTER LOCATION-PC	RJ159A	RJ160A	RJ159A	RJ160A
DAMPER NO.-DMPR	6THZ26	6THZ27	6THZ28	6THZ29
COMPUTER SCHEME NO.	16TR08A	16TR08B	16TR08C	16TR08D

TABLE A

MCC LOCATION-MCCA	NG03CF4	NG04CF4	NG03CF4	NG04CF4
OPEN CKT. SIS RELAY/CONT NO.	K630 11.12	K630 11.12	K630 11.14	K630 11.14
CLOSE CKT. SIS RELAY/CONT NO.	K636 12.15	K636 12.15	K636 12.18	K636 12.18
CONTROL PANEL-CPA	S8029C	S8032C	S8029C	S8032C
HIS NUMBER	6TH132R	6TH132T	6TH132B	6TH1329
HIS LOCATION-MCB	RL020	RL020	RL020	RL020
MCC LOCATION-MCC	NG03CLF19	NG04CLF19	NG03CLF19	NG04CLF19
DAMPER NO.-DMPR	6THZ26	6THZ27	6THZ28	6THZ29
SCHEME NO.	16TY08A	16TY08B	16TY08C	16TY08D



OPEN	GL	RL	CONTACT	POSITION	
			NORM	CLOSE	OPEN
			1-1-1T	X	X
			3-1-3T		X
			2-1-2B	X	X
			4-1-4B		X

CUTLER-HAMMER
TYPE E30 JY9
WITH TWO KLAS
CONTACT BLOCKS

HAND INDICATING SWITCH
HIS-SEE TABLE
ESSENTARY CONTACT

LIMIT SWITCH CONTACT DEVELOPMENT

ROTOR	TYPE OF SW	DAMPER POSITION					FUNCTION
		PELL OPEN	OPEN	LIMIT A	LIMIT B	SLAM FRL	
CLOSE	TRAVEL						CLOSE CKT.
	AUX						NOT USED
							RED LIGHT
							NOTE 4
OPEN	TRAVEL						SPARE
	AUX						COMPUTER
							SPARE
							SPARE

SOLID BAR INDICATES CONTACT CLOSED

- REFERENCE DWGS
- M-02GT01
 - J-02GT06
 - M-627A-0012
1. DAMPER SHOWN IN FULL CLOSED POSITION.
 2. CONTACT CLOSING ON SAFETY INJECTION SIGNAL. REFER WESTINGHOUSE DWG, BECHTEL V.P. NO. M-767-241.
 3. CONTACT OPENS ON SAFETY INJECTION SIGNAL. REFER WESTINGHOUSE DWG, BECHTEL V.P. NO. M-767-241.
 4. TO STATUS PANEL-SEE DWG E-03SA17.
 5. THERMAL DEVICE RESETS AUTOMATICALLY.

TI
APERTURE
CARD

NO.	DATE	REVISION	BY	CHKD	DESIGN	DATE
<p>BECHTEL GAITHERSBURG, MARYLAND</p> <p>SHUPPS</p> <p>SCHEMATIC DIAGRAM CONTAINMENT PURGE SPLY AND EXHAUST ISOLATION DAMPERS</p>						
SCALE		DESIGNED	DRAWN	CAD	CHECKED	DATE
JOB NO.		BECHTEL PROJECT NO.		REV		
10408		E-03GT06 (0)		4		

REVIEW LEVEL 3

I certify that the image contained on this frame was made in the normal and regular course of business on the date stated below and that it is an accurate reproduction of the document(s) submitted to B...
DATE 10/12/81 OPERATOR [Signature] SUPERVISOR [Signature]

8410040114

PDR RIDS

