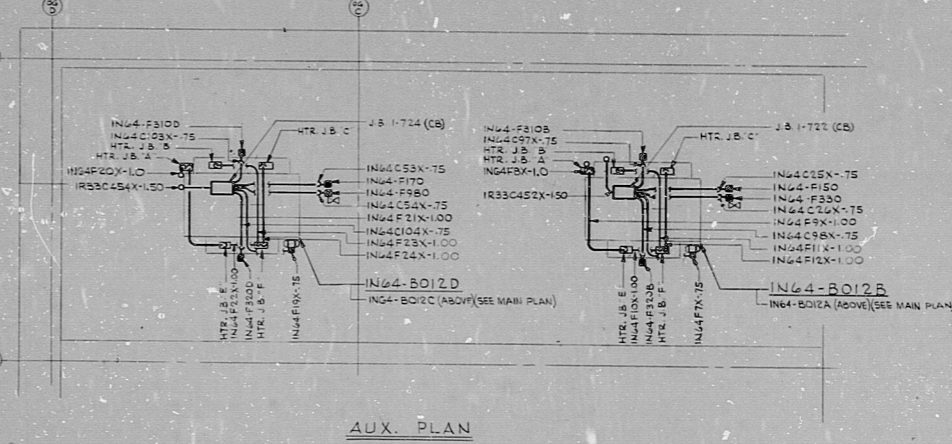


TYPICAL CONDUIT INSTALLATION FOR VALVE, SOLENOID & LIMIT SWITCHES

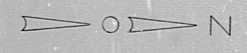
CLOSED LIM SW. 9  
OPEN LIM SW. 10  
SOLENOID CND. 11 (UNLESS OTHERWISE NOTED ON DRAW)

VALVE	SOX	SOLENOID No.	LIMIT SWITCH No.
MPL No.	No.	CND No.	CND No. (OPEN) CND No. (CLOSED)
N4-FOUO	T8-516	N4-516D	N4-ND05
		N4-516C	N4-516A



SECTION 1-1

- NOTES:
- FOR LEGEND, NOTES, REFERENCES, AND STANDARD DETAILS, SEE DWG. D-215-001.
  - CONDUITS CONTINUED UP, SEE DWG. D-215-086.
  - CONDUITS CONTINUED DOWN, SEE DWG. D-215-086.



NUCLEAR SAFETY RELATED

NO.	DATE	MADE	CHKD.	APPROVAL

REVISIONS

NO.	DATE	DESCRIPTION

CONSTRUCTION AS NOTED  
LIMITED CONSTRUCTION: AS NOTED  
PRELIMINARY NOT FOR CONSTRUCTION  
BIDDING PURPOSES

DATE: \_\_\_\_\_ RELEASED FOR: \_\_\_\_\_ ENGR. \_\_\_\_\_

THE CLEVELAND ELECTRIC ILLUMINATING COMPANY  
PERRY NUCLEAR POWER PLANT UNIT 1  
ELECTRICAL  
CONDUIT LAYOUT

OFF-GAS BUILDING - EL. 602'-6"

GILBERT ASSOCIATES, INC.  
ENGINEERS AND CONSULTANTS

SCALE: 1/8" = 1'-0" 04 4549 D-215-067 F  
DRAWING NUMBER: 4549-800 REV

KEY PLAN

NO.	DATE	DESCRIPTION

REVISIONS

NO.	DATE	DESCRIPTION



RIDS

8112030255

