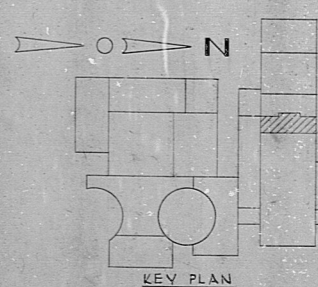
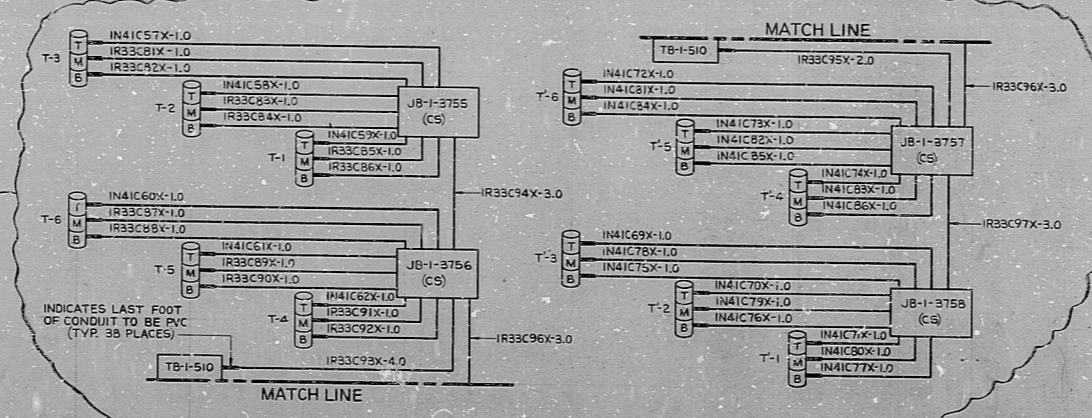


CHART 'A'

- WEST TO EAST
- IR33F1X-1 (465)
  - IR33F1X-2 (773)
  - IR33F1X-3 (773)
  - IR33F1X-4 (773)
  - IR33F1X-5 (773)
  - IR33F1X-6 (773)
  - IR33F1X-7 (773)
  - IR33F1X-8 (773)
  - IR33F1X-9 (773)
  - IR33F1X-10 (773)
  - IR33F1X-11 (773)
  - IR33F1X-12 (773)
  - IR33F1X-13 (773)
  - IR33F1X-14 (773)
  - IR33F1X-15 (773)
  - IR33F1X-16 (773)
  - IR33F1X-17 (773)
  - IR33F1X-18 (773)
  - IR33F1X-19 (773)
  - IR33F1X-20 (773)
  - IR33F1X-21 (773)
  - IR33F1X-22 (773)
  - IR33F1X-23 (773)
  - IR33F1X-24 (773)
  - IR33F1X-25 (773)
  - IR33F1X-26 (773)
  - IR33F1X-27 (773)
  - IR33F1X-28 (773)
  - IR33F1X-29 (773)
  - IR33F1X-30 (773)
  - IR33F1X-31 (773)
  - IR33F1X-32 (773)
  - IR33F1X-33 (773)
  - IR33F1X-34 (773)
  - IR33F1X-35 (773)
  - IR33F1X-36 (773)
  - IR33F1X-37 (773)
  - IR33F1X-38 (773)
  - IR33F1X-39 (773)
  - IR33F1X-40 (773)
  - IR33F1X-41 (773)
  - IR33F1X-42 (773)
  - IR33F1X-43 (773)
  - IR33F1X-44 (773)
  - IR33F1X-45 (773)
  - IR33F1X-46 (773)
  - IR33F1X-47 (773)
  - IR33F1X-48 (773)
  - IR33F1X-49 (773)
  - IR33F1X-50 (773)
  - IR33F1X-51 (773)
  - IR33F1X-52 (773)
  - IR33F1X-53 (773)
  - IR33F1X-54 (773)
  - IR33F1X-55 (773)
  - IR33F1X-56 (773)
  - IR33F1X-57 (773)
  - IR33F1X-58 (773)
  - IR33F1X-59 (773)
  - IR33F1X-60 (773)
  - IR33F1X-61 (773)
  - IR33F1X-62 (773)
  - IR33F1X-63 (773)
  - IR33F1X-64 (773)
  - IR33F1X-65 (773)
  - IR33F1X-66 (773)
  - IR33F1X-67 (773)
  - IR33F1X-68 (773)
  - IR33F1X-69 (773)
  - IR33F1X-70 (773)
  - IR33F1X-71 (773)
  - IR33F1X-72 (773)
  - IR33F1X-73 (773)
  - IR33F1X-74 (773)
  - IR33F1X-75 (773)
  - IR33F1X-76 (773)
  - IR33F1X-77 (773)
  - IR33F1X-78 (773)
  - IR33F1X-79 (773)
  - IR33F1X-80 (773)
  - IR33F1X-81 (773)
  - IR33F1X-82 (773)
  - IR33F1X-83 (773)
  - IR33F1X-84 (773)
  - IR33F1X-85 (773)
  - IR33F1X-86 (773)
  - IR33F1X-87 (773)
  - IR33F1X-88 (773)
  - IR33F1X-89 (773)
  - IR33F1X-90 (773)
  - IR33F1X-91 (773)
  - IR33F1X-92 (773)
  - IR33F1X-93 (773)
  - IR33F1X-94 (773)
  - IR33F1X-95 (773)
  - IR33F1X-96 (773)
  - IR33F1X-97 (773)
  - IR33F1X-98 (773)
  - IR33F1X-99 (773)
  - IR33F1X-100 (773)

- NOTES:
1. FOR LEGEND, NOTES, REFERENCES, STANDARD DETAILS, SEE DWG. E-215-001.
  2. CONDUITS CONTINUED UP, SEE DWG. D-215-044.
  3. CONDUITS CONTINUED DOWN, SEE DWG. D-215-024.

REV	DATE	BY	CHKD	DESCRIPTION
A				REVISED AS INDICATED
B				REVISED AS INDICATED
C				REVISED AS INDICATED
D				REVISED AS INDICATED
E				REVISED AS INDICATED
F				REVISED AS INDICATED
G				REVISED AS INDICATED
H				REVISED AS INDICATED
I				REVISED AS INDICATED
J				REVISED AS INDICATED
K				REVISED AS INDICATED



NUCLEAR SAFETY RELATED

TERA APERTURE CARD

DATE	RELEASED FOR	ENGR.

THE CLEVELAND ELECTRIC ILLUMINATING COMPANY  
PERRY NUCLEAR POWER PLANT UNIT 1  
ELECTRICAL  
CONDUIT LAYOUT  
TURBINE BUILDING - EL. 624'-6"

GILBERT ASSOCIATES, INC.  
ENGINEERS AND CONSULTANTS

NO.	DATE	BY	CHKD.	DESCRIPTION
1				
2				
3				
4				
5				
6				
7				
8				
9				
10				
11				
12				
13				
14				
15				
16				
17				
18				
19				
20				
21				
22				
23				
24				
25				
26				
27				
28				
29				
30				
31				
32				
33				
34				
35				
36				
37				
38				
39				
40				
41				
42				
43				
44				
45				
46				
47				
48				
49				
50				

04 4549 D-215-034 H  
DRAWING NUMBER

RIDS

8112030243

