



Duquesne Light

Beaver Valley No. 2 Unit Project Organization
S.E.G. Building
P.O. Box 328
Shippingport, PA 15077

2NRC-6-075
(412) 643-5200
Telecopy (412) 643-5200 Ext. 160
July 31, 1986

Mr. Harold R. Denton, Director
Office of Nuclear Reactor Regulation
United States Nuclear Regulatory Commission
Washington, DC 20555

ATTENTION: Mr. Peter Tam, Project Manager
Division of PWR Licensing - A
Office of Nuclear Reactor Regulation

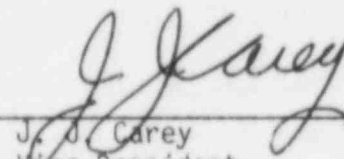
SUBJECT: Beaver Valley Power Station - Unit No. 2
Docket No. 50-412
Open Issue No. 3, Inadequate Core Cooling

REFERENCE: Letter from J. J. Carey to H. R. Denton, Dated April 11, 1986

Gentlemen:

Figure III and Exhibits 17 and 18 of Reference (a) have been revised and are attached to resolve this item. DLC has also been asked to address the schedule for installation of this system. The equipment is currently installed and final connections are being made. It is scheduled to be complete (filled and calibrated) by the end of September, 1986.

DUQUESNE LIGHT COMPANY

By 
J. J. Carey
Vice President

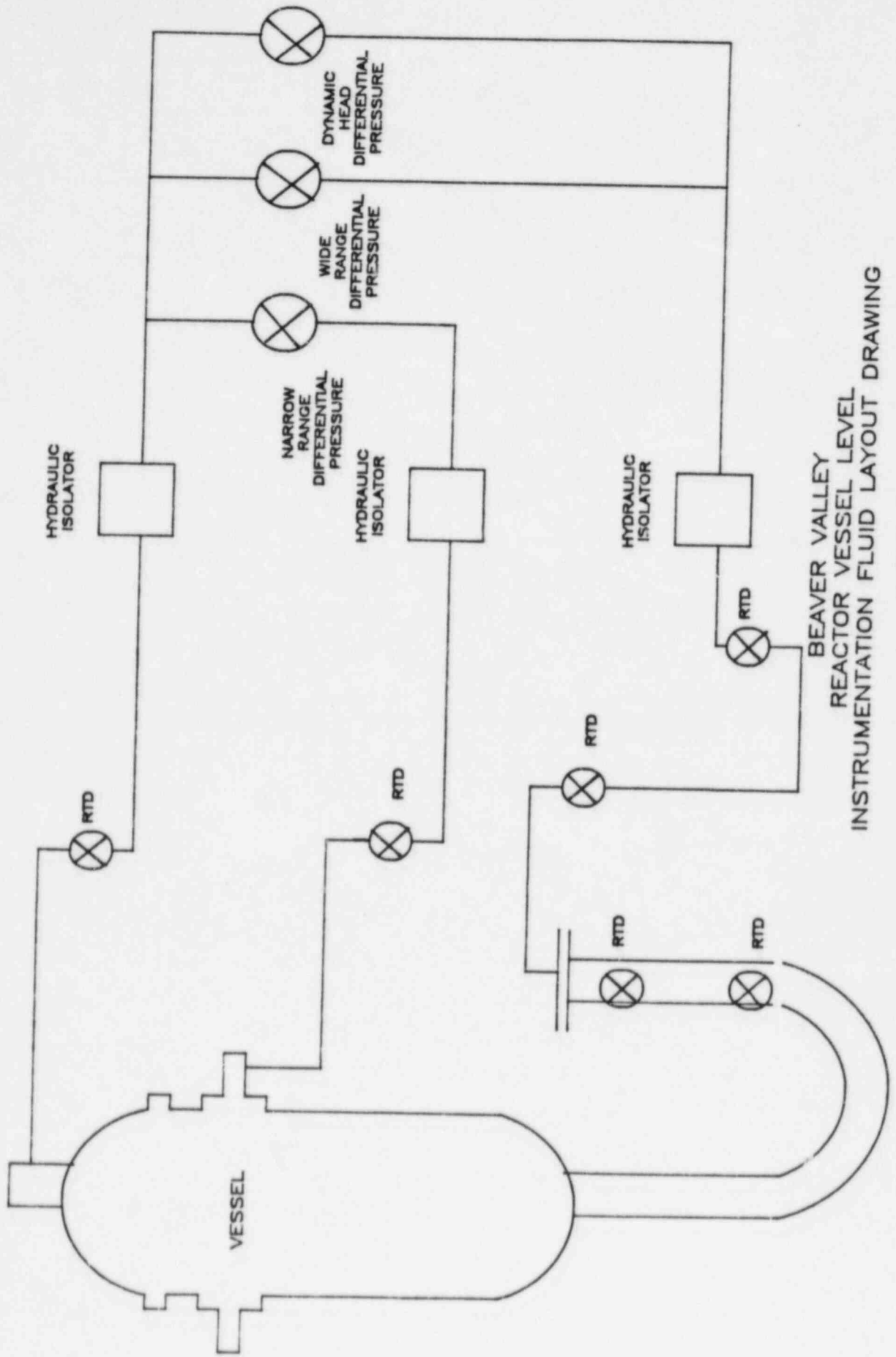
GLB/ijr
NR/INAD/CORE
AR/NAR

Attachments

cc: Mr. R. Karsch - w/attachments
Mr. L. Privity, Resident Inspector - w/attachments
Mr. W. Trokoski, Resident Inspector - w/attachments

8608050101 860731
PDR ADOCK 05000412
A PDR

A002
11



BEAVER VALLEY
 REACTOR VESSEL LEVEL
 INSTRUMENTATION FLUID LAYOUT DRAWING

FIGURE III

