



A Centenor Energy Company

DONALD C. SHELTON  
Vice President - Nuclear  
(419) 249-2300

Docket No. 50-346

License No. NPF-3

Serial No. 1582

September 8, 1988

United States Nuclear Regulatory Commission  
Document Control Desk  
Washington, D. C. 20555

Subject: Notification of Plans to Use Instrumented Inspection Techniques at  
the Davis-Besse Nuclear Power Station

Gentlemen:

Toledo Edison's letter of April 11, 1988 (Serial No. 1486), notified the NRC of the specific cases where Toledo Edison intended to use Instrumented Inspection Technique (IIT) testing methodology (previously approved by the NRC) during the present refueling outage. The purpose of this letter is to inform the NRC of one additional case for which Toledo Edison intends to utilize IIT during the outage.

This case involves a modification to the Auxiliary Feedwater System (AFW). As discussed with NRC on June 9, 1988, the modification installs flow control valves and cavitating venturis in the AFW pump discharge piping. The IIT methodology for this system was discussed in a telephone conversation with NRC staff members (A. DeAgazio and G. Johnson) on August 26, 1988. The test will utilize the IIT methodology that was employed and approved by NRC letter dated February 29, 1988 (Serial No. 1486, Reference 1). In addition to the modification, AFW valve AF3869 will be replaced due to maintenance problems. This valve is within the test boundary of the modification and will be tested during this IIT test. Any valve repair or replacement will also be inspected by the applicable Non-Destructive Examination per Code requirements prior to the IIT test. Justification for use of IIT in lieu of conventional hydrostatic testing is identified in the Topical Report HAF A 135 (P-A) under main steam line testing where it eliminates the need to remove valve internals and bonnets in order to install isolation plugs to prevent pressurizing against the check valves. Additionally, use of IIT will eliminate the potential to over pressurize lower pressure rated components due to unidentified intersystem leakage. Attached is a color coded piping and instrument diagram identifying the valves and venturis being installed.

BB09210206  
PDR ADDCK 05000346  
PNJ

*Drawings  
To: Reg Files  
A047  
11*

Docket No. 50-346

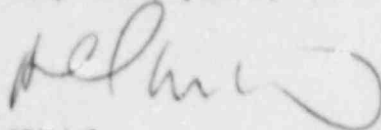
License No. NPF-3

Serial No. 1582

Page 2

If there are any further questions, please contact Mr. R. W. Schrauder,  
Nuclear Licensing Manager, at (419) 249-2366.

Very truly yours,



GBK/tlt

Attachment

cc: A. B. Davis, NRC Regional Administrator  
A. W. DeAgazio, NRC/NRR DB-1 Project Manager  
DB-1 Resident Inspector  
G. Johnson, NRC/NRR  
D. Jaggar, State of Ohio  
L. Dykstra, Hartford Insurance

Docket No. 50-346  
 License No. NPF-3  
 Serial No. 1582  
 Attachment 1  
 Page 2

# DRAWING CHANGE NOTICE

DRAWING NO.	REV.
12501-M-006D	14
DCN NO.	
M-006D-44	

Bechtel Associates  
 Professional Corporation (Ohio)

CHANGE REQUESTED BY:  
 Client     Engineering     Field     Supplier/Contractor

PAGE 1 OF 3

REASON FOR CHANGE:

FCR 86-330 REV. B SUPPLEMENT 3

OTHER DOCUMENTS (including PURCHASE ORDERS) AFFECTED BY THIS CHANGE:

SEE FCR 86-330 CHECKLIST

PM, MR OR OTHER DOCUMENT PREPARED FOR DCN CHANGE  
 YES     NO

MATERIAL PROCUREMENT RESPONSIBILITY:

Bechtel     Bechtel Field     Client     Supplier/Contractor     None Required

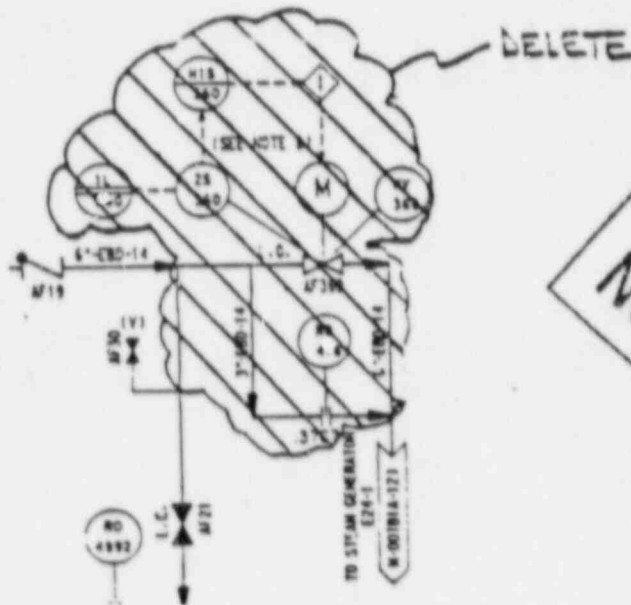
DISPOSITION OF AFFECTED MATERIAL

Rework     Scrap     Use AS IS     As Noted

DESCRIPTION OF CHANGE:

THIS DCN SUPERSEDES DCN NO. M 006D-37.

INFO. NOTE:  
 WORK THIS PAGE  
 BEFORE PAGE 2.



INFORMATION ONLY COPY

APPROVED FOR IMPLEMENTATION	AS BUILT
DATE 6-15-88	
DOC NO.	

INFO NOTE: THIS DCN IS FOR CHANNEL 1 ONLY.

FIELD VERIFICATION OF CHANGE (Q-Only) -- ACCEPTED

REVIEWED WITHOUT COMMENT	PLANT FACILITIES / ARCH. N/A	CIVIL / PIPE SUPPORTS N/A	ELECTRICAL CONTROL SYSTEMS	MECHANICAL PROCESS AND FIRE PROTECTION	TED-QC Inspection / Date
ORIGINATOR	CHANGED BY	GROUP SUPERVISOR	PROJECT ENGINEER	DATE	
		KSY / PBE	V.A. W. - the / k	5/21/88	

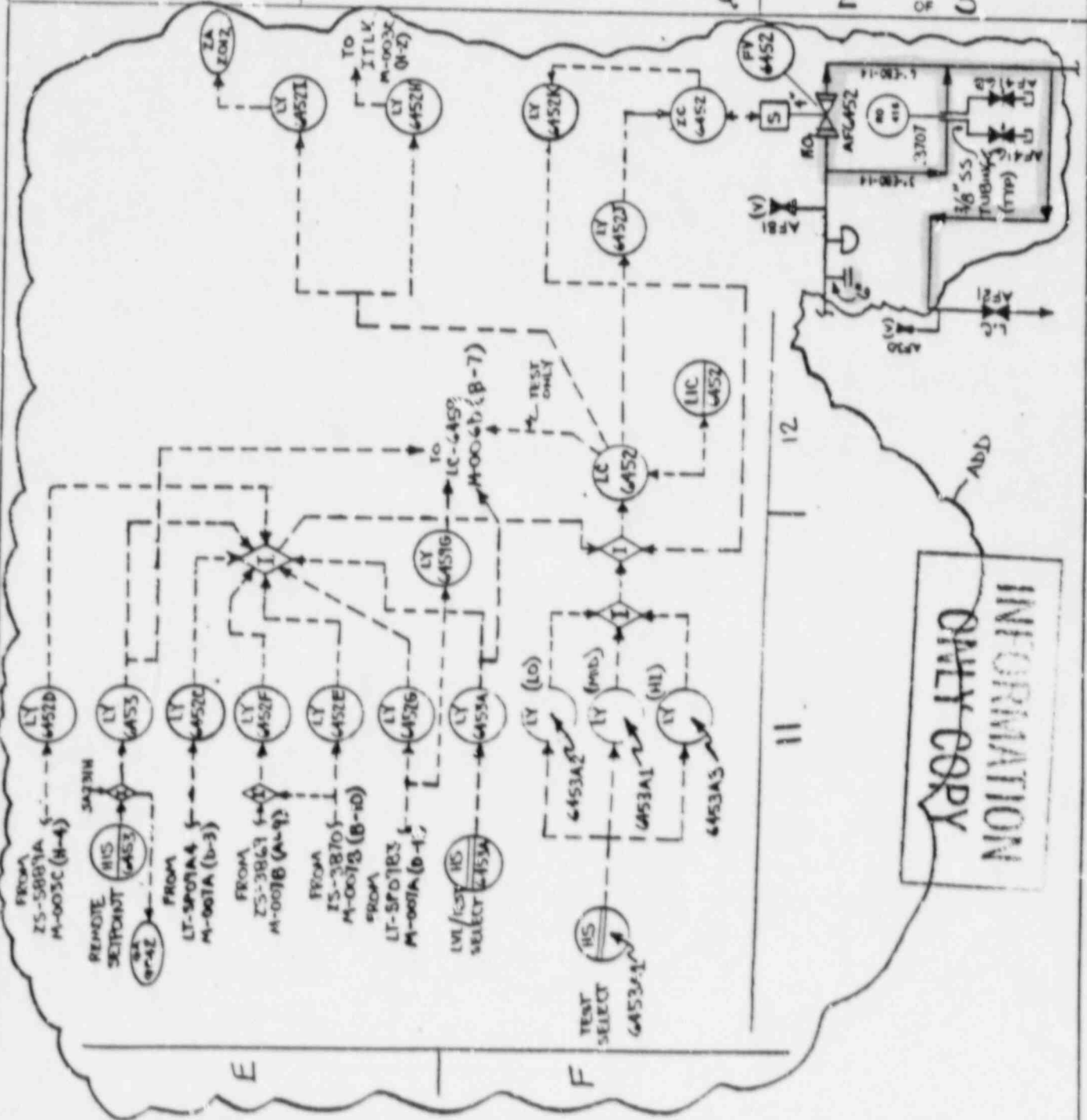
Docket No. 50-346  
 License No. NPF-3  
 Serial No. 1582  
 Attachment 1  
 Page 3



Bechtel Associates  
 Professional Corporation (Ohio)

# DRAWING CHANGE NOTICE (CONTINUATION SHEET)

DRAWING NO	REV NO
12501-M-006D	14
DCN NO	
M-006D-44	
PAGE	OF
2	3



INFO. NOTE: WORK THIS PAGE AFTER PAGE 1.

FIELD VERIFICATION OF CHANGE (Q-Only) — ACCEPTED

TEC-OC Inspection/Date

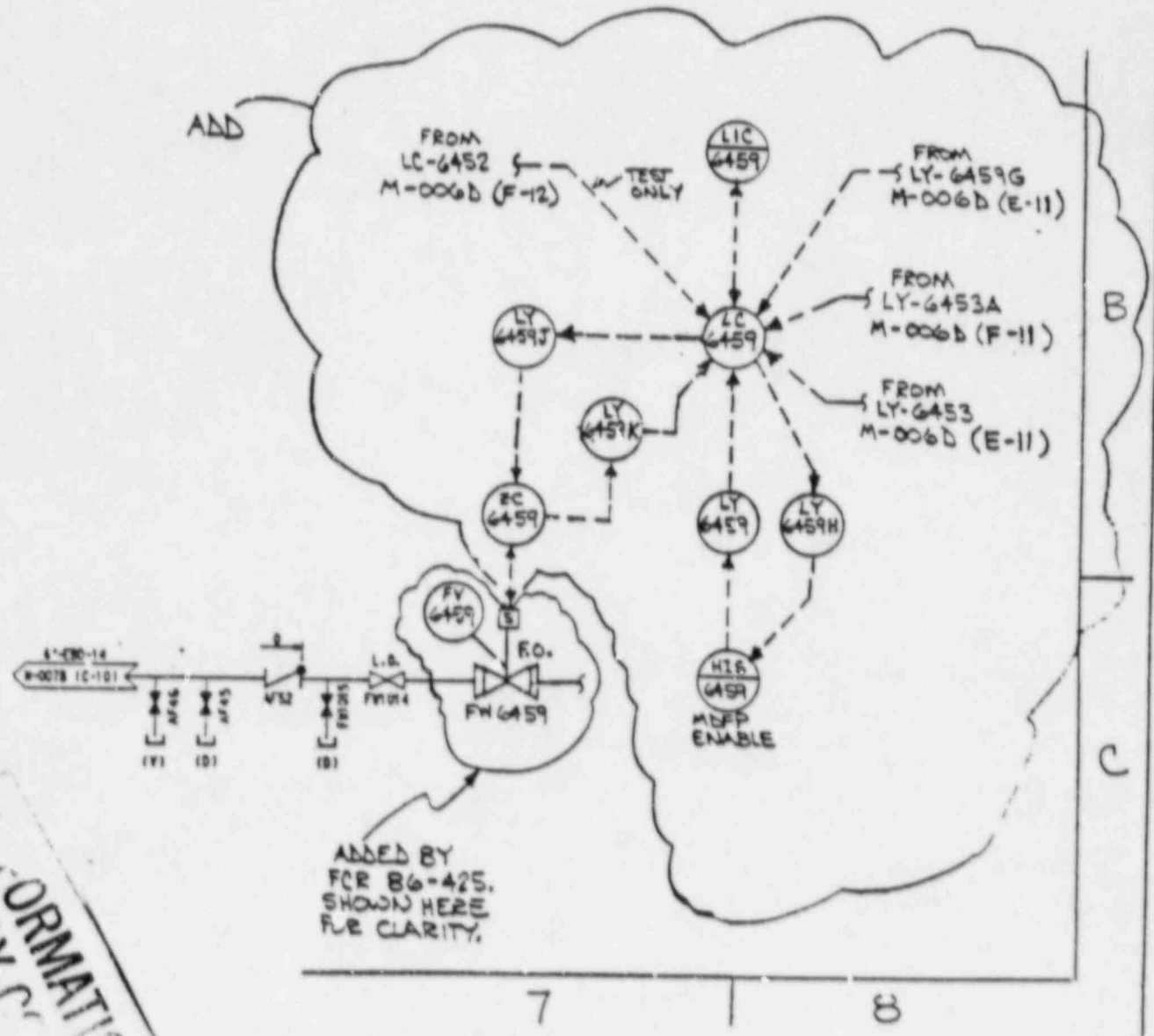
Docket No. 50-346  
 License No. NPF-3  
 Serial No. 1582  
 Attachment 1  
 Page 4



Bechtel Associates  
 Professional Corporation (Ohio)

# DRAWING CHANGE NOTICE (CONTINUATION SHEET)

DRAWING NO.	REV. NO.
12501-M-006D	14
DCN NO.	
M-006D-44	
PAGE	OF
3	3



**INFORMATION ONLY**

FIELD VERIFICATION OF CHANGE (O-Only) — ACCEPTED \_\_\_\_\_

TED-OC Inspection/Date \_\_\_\_\_

Docket No. 50-346  
 License No. NPP-3  
 Serial No. 1582  
 Attachment 1  
 Page 5

Site  
 Professional Corporation (Ohio)

# DRAWING CHANGE NOTICE

DRAWING NO	REV NO
12501-M-006D	14
DCN NO	
M-006D-45	

CHANGE REQUESTED BY:  
 Client     Engineering     Field     Supplier/Contractor

PAGE 1 of 3

REASON FOR CHANGE:  
**FCR 86-330 REV. B SUPPLEMENT 3**

OTHER DOCUMENTS (including PURCHASE ORDERS) AFFECTED BY THIS CHANGE:

**SEE FCR 86-330 CHECKLIST**

PM, MR OR OTHER DOCUMENTS  
 PREPARED FOR DCN CHANGE?  
 YES     NO

MATERIAL PROCUREMENT RESPONSIBILITY:

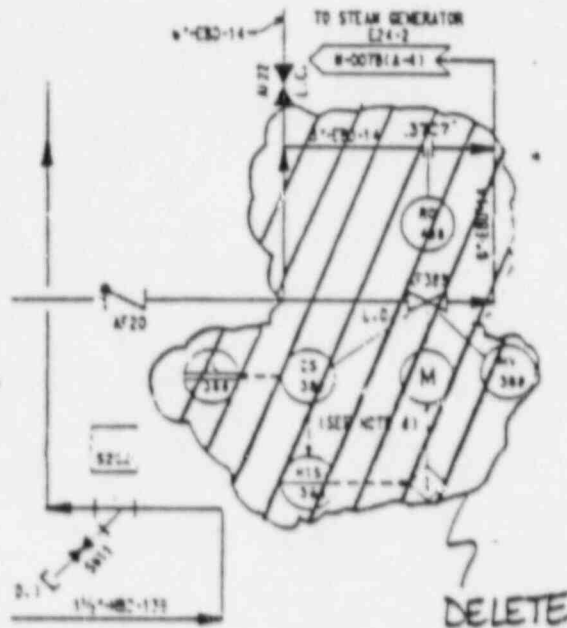
Bechtel     Bechtel Field     Client     Supplier/Contractor     None Required

DISPOSITION OF AFFECTED MATERIAL

Rework     Scrap     Use AS IS     As Noted

DESCRIPTION OF CHANGE: **THIS DCN SUPERSEDES DCN NO. M 006D-36**

INFO. NOTE:  
 WORK THIS PAGE  
 BEFORE PAGE 2.



INFORMATION  
 ONLY COPY

	APPROVED FOR IMPLEMENTATION	AS BUILT
DATE	6-15-88	
DOC NO.		

INFO. NOTE: THIS DCN IS FOR CHANNEL 2 ONLY.

FIELD VERIFICATION OF CHANGE (Q-Only) — ACCEPTED

REVIEWED WITHOUT COMMENT	PLANT FACILITIES/ARCH N/A	CIVIL/PIPE SUPPORTS N/A	ELECTRICAL/CONTROL SYSTEMS <i>[Signature]</i>	MECHANICAL, PROCESS AND FIRE PROTECTION <i>[Signature]</i>
ORIGINATOR <i>[Signature]</i>	CHECKED BY <i>[Signature]</i>	GROUP SUPERVISOR KJ7/RBE	PROJECT ENGINEER VAM/walsh	DATE 5/21/88



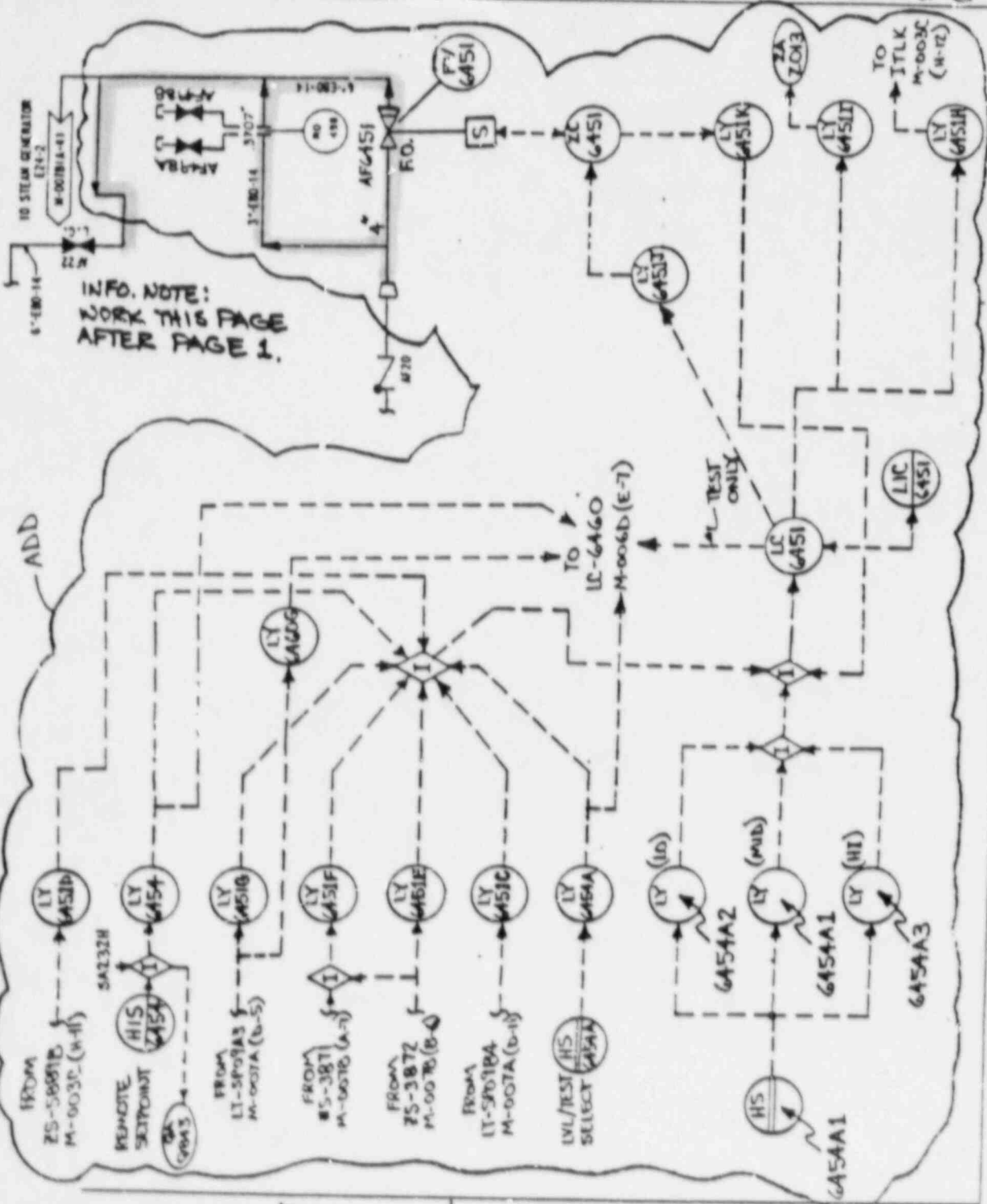
Docket No. 50-346  
 License No. NPF-3  
 Serial No. 1582  
 Attachment 1  
 Page 6



Bechtel Associates  
 Professional Corporation (Ohio)

# DRAWING CHANGE NOTICE (CONTINUATION SHEET)

DRAWING NO	REV NO
12501-M-006D	14
DCN NO	
M-006D-45	
PAGE	
2	of 3



FIELD VERIFICATION OF CHANGE (Q-Only) — ACCEPTED

ED-00 Inspection Data

Docket No. 50-346  
 License No. NPF-3  
 Serial No. 1582  
 Attachment 1  
 Page 7

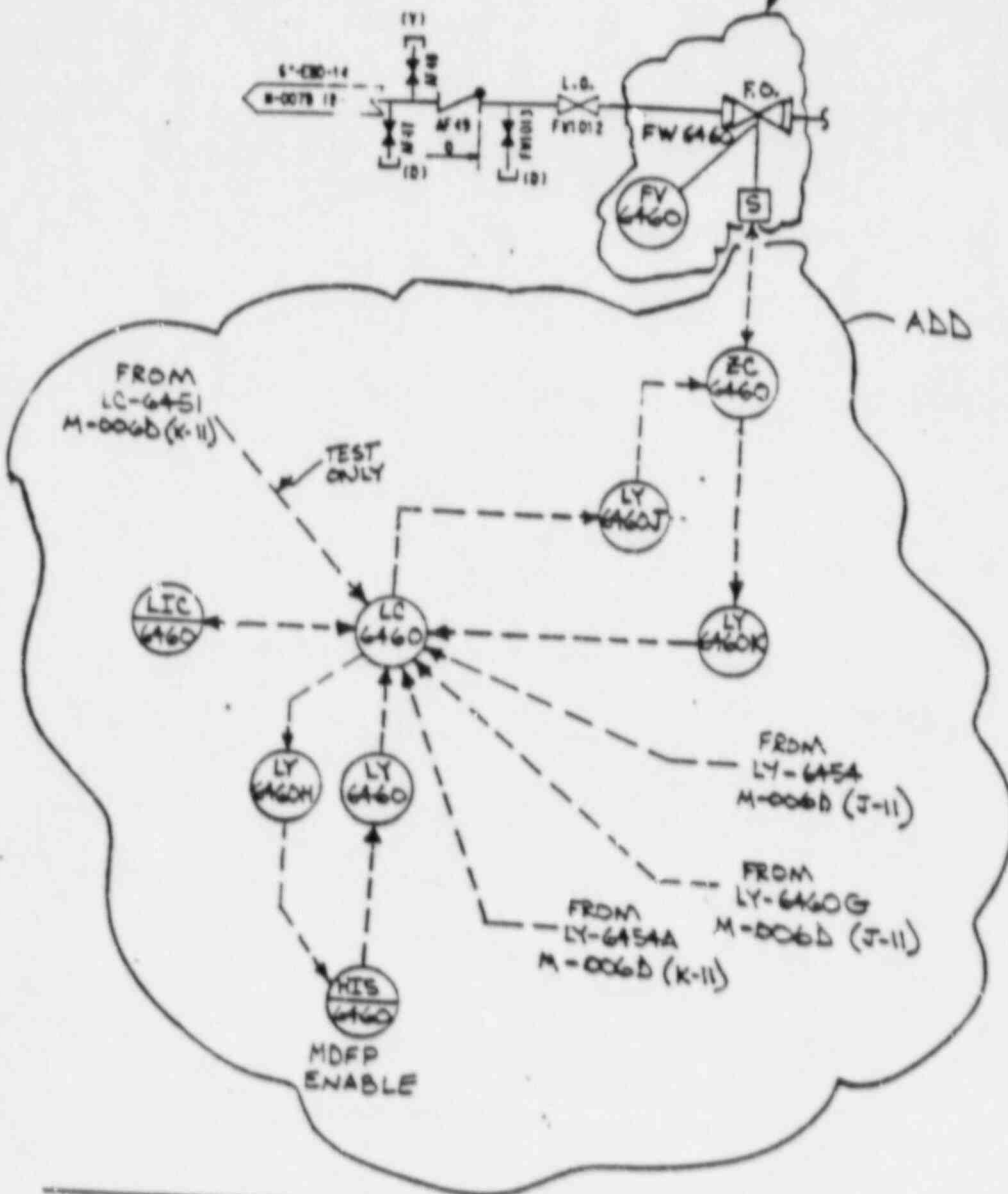


Bechtel Associates  
 Professional Corporation (Ohio)

# DRAWING CHANGE NOTICE NOTICE (CONTINUATION SHEET)

DRAWING NO.	REV. NO.
12501-M-006D	14
DCN NO.	
M-006D-45	
PAGE	OF
3	3

ADDED BY FCR 86-425.  
 SHOWD HERE FOR CLARITY.



INFORMATION ONLY COPY

E

7

FIELD VERIFICATION OF CHANGE (Q-Only) — ACCEPTED

TED-OC Inspection / Date





Bechtel Associates  
 Professional Corporation (Ohio)

# DRAWING CHANGE NOTICE

# Q

DRAWING NO.	REV. NO.
12501-M-007B	8
DCN NO.	
M-007B-30	
PAGE	OF
1	2

CHANGE REQUESTED BY:  
 Client     Engineering     Field     Supplier/Contractor

REASON FOR CHANGE:  
 FCR 86-330 REV. B SUPPLEMENT 3

OTHER DOCUMENTS (including PURCHASE ORDERS) AFFECTED BY THIS CHANGE:  
 SEE FCR 86-330 CHECKLIST

PM, MR OR OTHER DOCUMENTS PREPARED FOR DCN CHANGE?  
 YES     NO

MATERIAL PROCUREMENT RESPONSIBILITY:  
 Bechtel     Bechtel Field     Client     Supplier/Contractor     None Required

DISPOSITION OF AFFECTED MATERIAL:  
 Rework     Scrap     Use AS IS     As Noted

DESCRIPTION OF CHANGE: THIS DCN SUPERSEDES DCN NO. M-007B-23.

SEE PAGE 2 FOR CHANGES

	APPROVED FOR IMPLEMENTATION	AS BUILT
DATE	6-15-88	
DOC. NO.		

ATTENTION COPY

INFO  
 NOTE: THIS DCN IS FOR CHANNEL 1 ONLY.

FIELD VERIFICATION OF CHANGE (Q-Only) — ACCEPTED

REVIEWED WITHOUT COMMENT	PLANT FACILITIES / ARCH	CIVIL / PIPE SUPPORTS	ELECTRICAL / CONTROL SYSTEMS	MECHANICAL PROCESS AND FIRE PROTECTION
	N/A	N/A	<i>[Signature]</i>	<i>[Signature]</i>
ORIGINATOR	CHECKED BY	GROUP SUPERVISOR	PROJECT ENGINEER	DATE
<i>[Signature]</i>	<i>[Signature]</i>	KJM/EBE	VAM-4/6/88	7/5/88



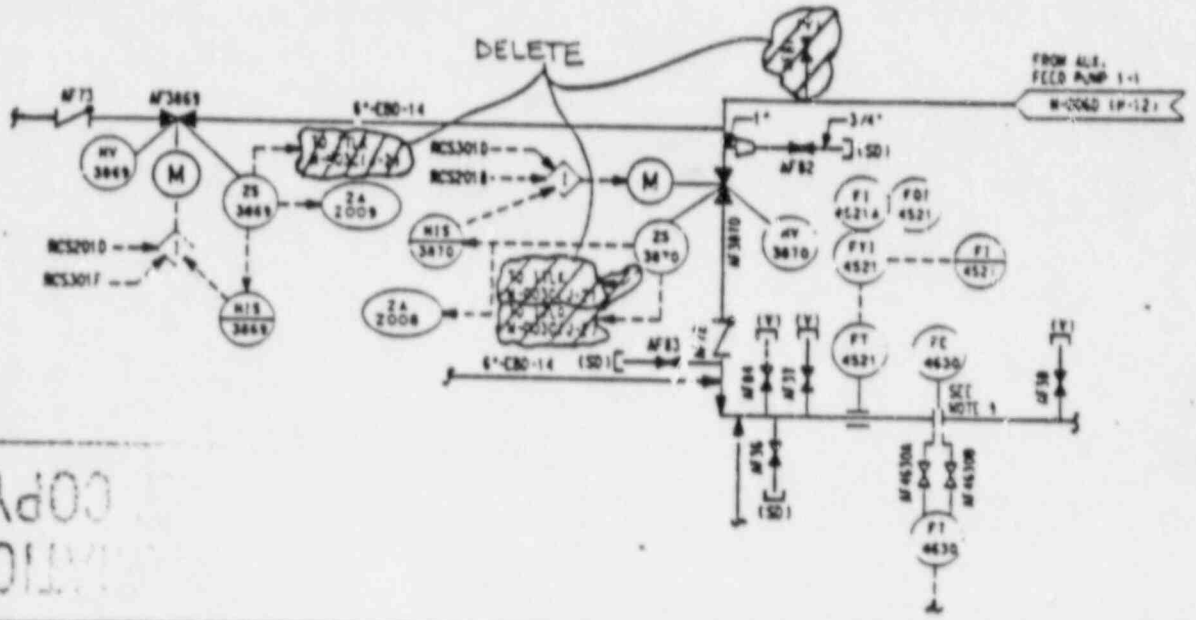
Bechtel Associates  
 Professional Corporation (Ohio)

# DRAWING CHANGE NOTICE

## (CONTINUATION SHEET)

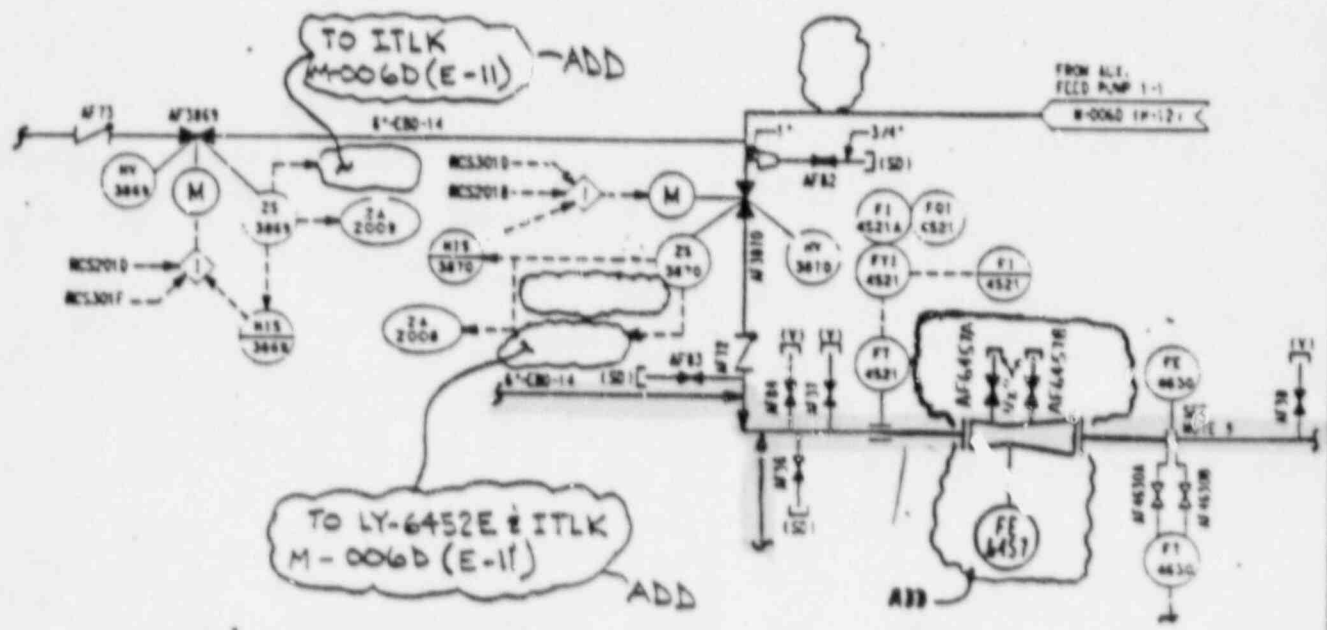
DRAWING NO.	REV. NO.
12501-M-007B	8
DCN NO.	
M-007B-30	
PAGE	
2	OF 2

### BEFORE



COPY NOTATION

### AFTER



FIELD VERIFICATION OF CHANGE (O-Only) — ACCEPTED



Bechtel Associates  
 Professional Corporation (Ohio)

# DRAWING CHANGE NOTICE

# Q

DRAWING NO.	REV NO.
12501-M-007B	8
DCN NO.	
M-007B-31	

CHANGE REQUESTED BY:  
 Client     Engineering     Field     Supplier/Contractor

PAGE 1 OF 2

REASON FOR CHANGE:  
 FCR 86-330 REV. B SUPPLEMENT 3

OTHER DOCUMENTS (including PURCHASE ORDERS) AFFECTED BY THIS CHANGE:  
 SEE FCR 86-330 CHECKLIST

PM, MR OR OTHER DOCUMENTS PREPARED FOR DCN CHANGE?  
 YES     NO

MATERIAL PROCUREMENT RESPONSIBILITY:  
 Bechtel     Bechtel Field     Client     Supplier/Contractor     None Required

DISPOSITION OF AFFECTED MATERIAL:  
 Rework     Scrap     Use AS IS     As Noted

DESCRIPTION OF CHANGE: THIS DCN SUPERSEDES DCN NO. M-007B-22.

SEE PAGE 2 FOR CHANGES.

	APPROVED FOR IMPLEMENTATION	AS BUILT
DATE	6-15-88	
DCN NO.		

INFORMATION ONLY COPY

INFO.  
 NOTE: THIS DCN IS FOR CHANNEL 2 ONLY.

FIELD VERIFICATION OF CHANGE (Q-Only) — ACCEPTED \_\_\_\_\_

REVIEWED WITHOUT COMMENT	PLANT FACILITIES/ARCH N/A	CIVIL/PIPE SUPPORTS N/A	ELECTRICAL CONTROL SYSTEMS <i>[Signature]</i>	TED-OC INSTRUCTION/DATE MECHANICAL PROCESS AND FIRE PROTECTION <i>[Signature]</i>
ORIGINATOR <i>[Signature]</i>	CHECKED BY <i>[Signature]</i>	GROUP SUPERVISOR KAY/PBE	PROJECT ENGINEER V.R. H... 5/21/88	DATE

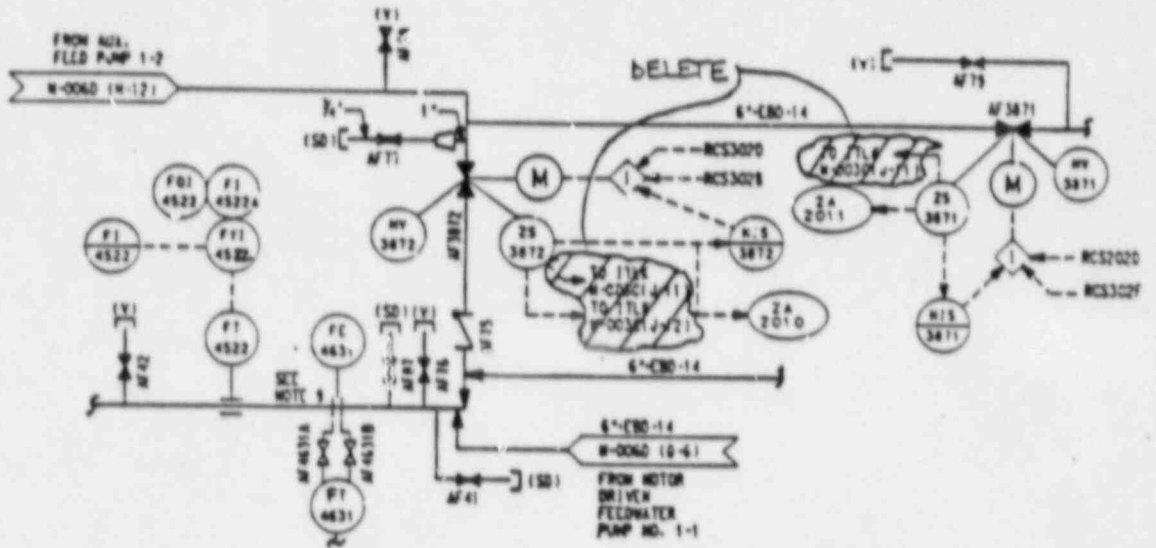
# DRAWING CHANGE NOTICE (CONTINUATION SHEET)

# Q

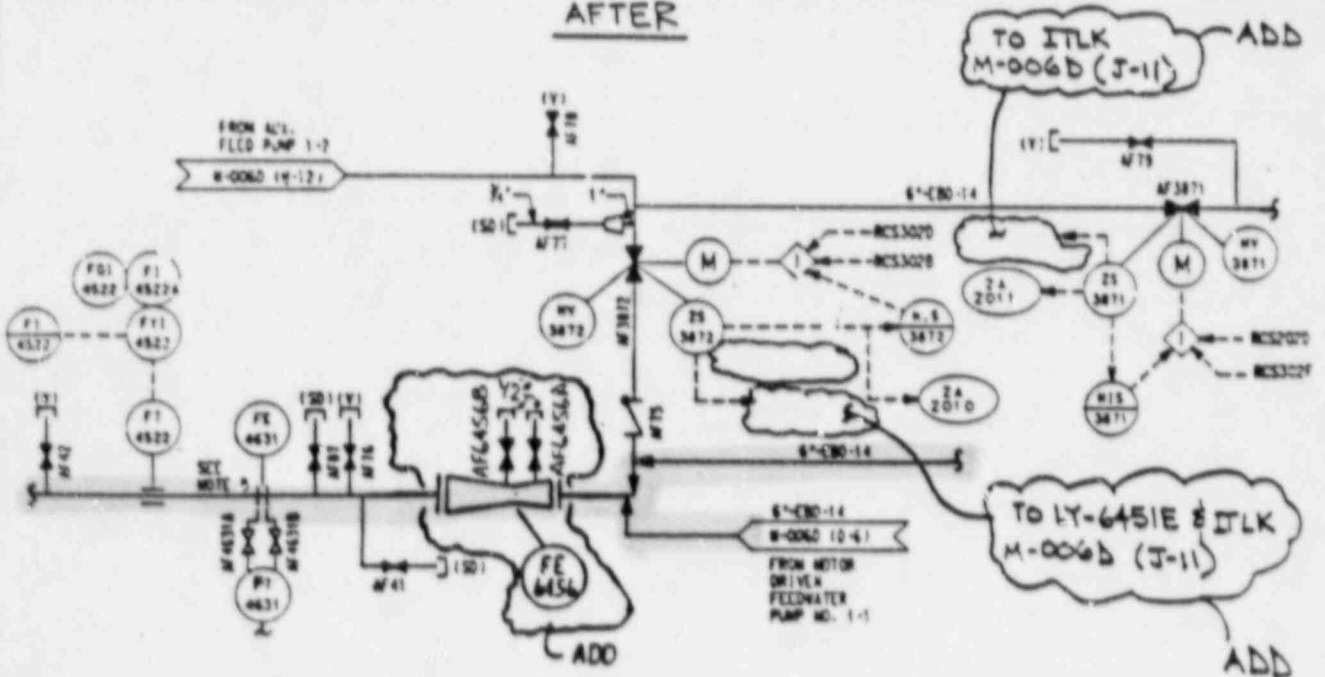
DRAWING NO	REV. NO.
12501-M-007B	8
DCN NO	
M-007B-31	
PAGE 2 OF 2	

Bechtel Associates  
 Professional Corporation (Ohio)

## BEFORE



## AFTER



FIELD VERIFICATION OF CHANGE (If Only) ACCEPTED \_\_\_\_\_

FEED-CC Inspection/Date

**OVERSIZE  
DOCUMENT  
PAGE PULLED**

---

**SEE APERTURE CARDS**

---

**NUMBER OF OVERSIZE PAGES FILMED ON APERTURE CARDS**

---

2

**APERTURE CARD/HARD COPY AVAILABLE FROM RECORD SERVICES BRANCH, TIDC  
FTS 492 - 8989**