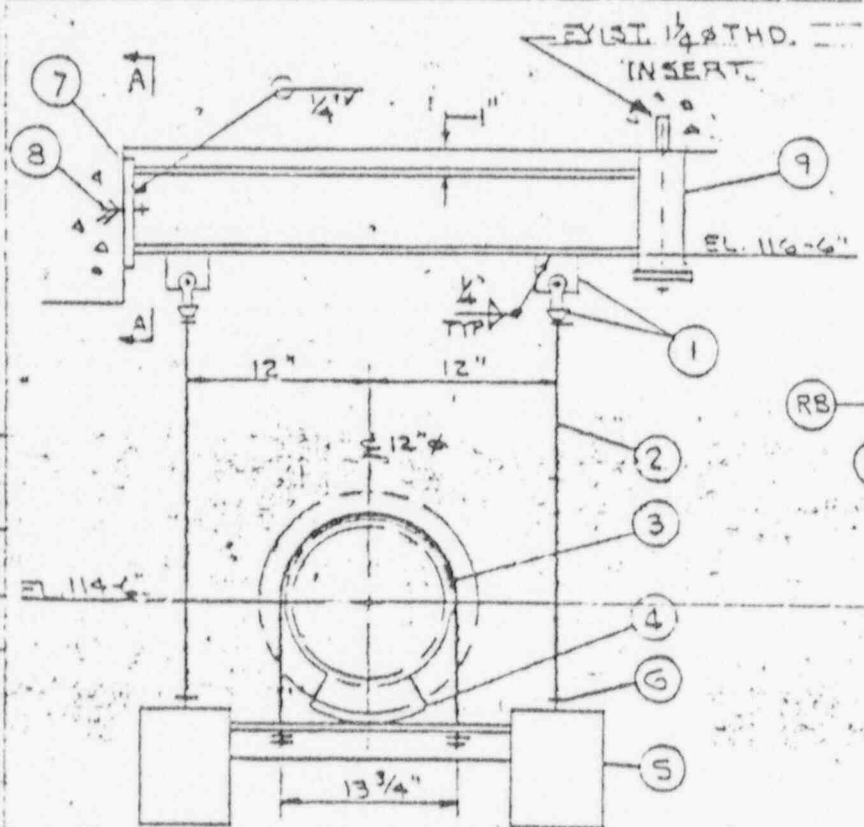
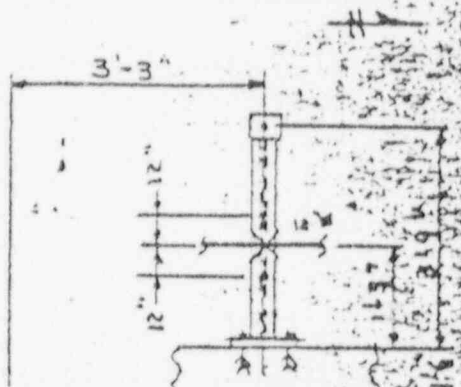


APP	ITEM NO.	NO REQ'D	DESCRIPTION	BERGEN DWG OR PART NO.	REMARKS
	1	2	PART G D	3	
	2	2	3/4" φ x 2'-4" LG. ROD TBE = 6"		
	3	1	TUB-12" φ CC-13 3/4" CE-12 1/2" THD-5"	GO	
	4	1	BERGEN PART 200C-12" φ PIPE SADDLE		
	5	1	V52G-11, H.L. 13:5" C.L. 1535" MYT. 1" UP		
	6	4	2 1/2" φ H.N.		
	7	1	7x1/2"x8 LG R SEE SECT. A-A		
	8	2	PHILLIPS REDHEADS S-34 3/4"x1 1/4" LG BOLT		
	9	1	GB12 TYP-C S=3-6 3/4" (OMIT ONE ENDCONN.)	1000	
			A=1" □ 3 1/2"x8.1x7 1/2" LG. STUD "B"=1 1/4" φ x 11" LG		

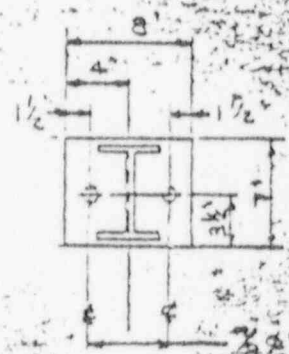
DESCRIPTION



ELEV. LOOKING SOUTH



PLAN



SECTION A-A

OK TBA

OK  
4/27/67

8002150498

GEN. REV.

DATE

REV.

BERGEN PIPE SUPPORT CORP. # 2148-104  
 BERGEN PIPE SUPPORT CORP. INC.  
 CENTER CREEK STA. UNIT #1

PIPING SYSTEM EMERGENCY COND  
 REF: BER DWG 2148-G-1  
 MARK NO. NE-1-H-8 NO. REQ'D

DRAWN: WJ  
 CHKD: [Signature]  
 APP'D: [Signature]

BERGEN PIPE SUPPORT CORP.  
 NEW YORK, N. Y.

DATE: 3/30/67  
 JOB NO.: 6000-1