

**Florida
Power**

CORPORATION
Crystal River Unit 3
DocId: No. 50-302

April 9, 1996
3F0496-14

U. S. Nuclear Regulatory Commission
Attn: Document Control Desk
Washington, D. C. 20555

Subject: Correction to 3F0496-02

Dear Sir:

Due to an administrative error, the enclosed two attachments were inadvertently not included with the original correspondence. Please include them as attachments 2 and 3 to 3F0496-02.

Sincerely,

Larry C. Kelley, Director
Nuclear Operations Site Support

Enclosures

BG:LCK/lf

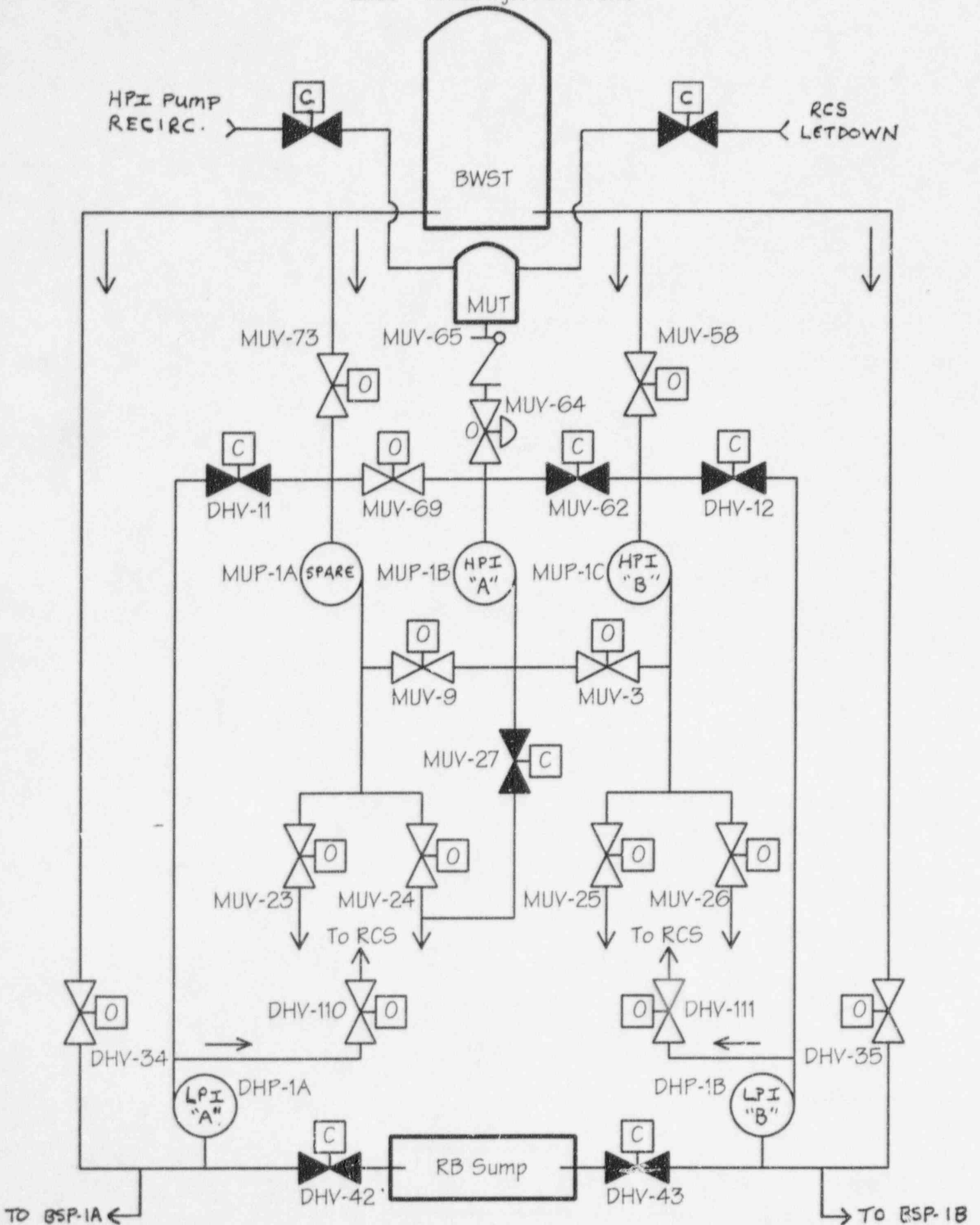
150081

9604150412 960409
PDR ADOCK 05000302
P PDR

CRYSTAL RIVER ENERGY COMPLEX: 15760 W Power Line St • Crystal River, Florida 34428-6708 • (352) 795-6486
A Florida Progress Company

Accol
1/1

ECCS - Initial Injection Phase



MAX. MUT OPERATING PRESSURE vs LEVEL Wide Range

