

Cooper Cameron Corporation
Cooper-Bessemer
Reciprocating Products Division
150 Lincoln Avenue
Grove City, PA 16127-1898
412 458-8000

November 28, 1995



Cooper Energy Services

Our Ref: QCG-10236

Document Control Desk
U.S. Nuclear Regulatory Commission
Washington, D.C. 20555

Dear Sir:

In accordance with the requirements of the Nuclear Regulatory Commission Title 10, Chapter 1, Code of Federal Regulations, Part 21, Cooper-Bessemer Reciprocating Products Division, a division of Cooper Cameron Corporation, hereby notifies the Commission of a potential design defect of the KSV emergency diesel generator (EDG) system.

On November 6, 1995, Braidwood Station reported that during maintenance activities excessive wear and rust was noted in the upper portion of the governor drive assembly (Assembly No. KSV-17-6). On November 7, 1995, Braidwood reported that the oil inlet hole in the top flange of the bearing retainer did not appear to extend through to the inside of the flange. The report indicated this was due to a sleeve repair of the bore blocking the oil hole.

Lack of oil in this area could result in failure of this assembly resulting in EDG inoperability. Due to the potential of this defect and the ease of verification, it is recommended that all utilities verify an open oil passage in this assembly (see attachment).

This assembly is installed on all Cooper-Bessemer KSV EDG's (except Zion and Cooper Nuclear Stations). Similar assemblies for these stations are KSV-17-1 (Zion and Cooper Nuclear), KSV-17-2 (Zion), and KSV-17-5 (Cooper Nuclear). It is also recommended that all utilities use the same procedures to verify the similar overspeed governor and drive assembly KSV-17-7.

040010

9512050143 951128
PDR ADDCK 05000456
S PDR

Cooper-Bessemer® • Enterprise™ • Penn™ • Ajax® • Superior®

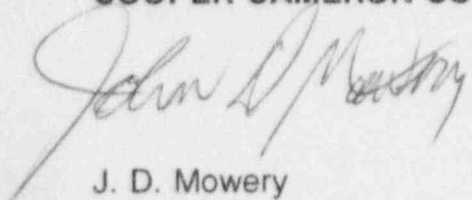
1E19
1/9

Page 2
November 22, 1995
QCG-10236

If you have questions concerning this report, please contact Andrew P. Steffan, Supervisor, Nuclear Support at 412-458-3455 or John M. Horne, Manager, Nuclear and Analytical Engineering at 412-458-3543.

Sincerely,

COOPER CAMERON CORPORATION



J. D. Mowery
Vice President and General Manager

Attachment

/kll

cc: D. T. Blizzard - CES/GC
J. M Horne - CES/GC
A. D. Gillette - CES/GC
M. A. Schleigh - CES/GC
P. J. Shimek- CES/GC
L. T. Stewart - CES/GC
A. P. Steffan - CES/GC
File: K5fa36

Copies to:

Mr. Walter Haass
U.S. Nuclear Regulatory Commission
One White Flint North
Washington, DC 20555

Mr. Gary Hunt
Houston Lighting and Power
South Texas Project
Wadsworth, TX 77483

Mr. James Kenny
Licensing Group Supervisor
Pennsylvania Power and Light
Two North Ninth Street Annex 2
Allentown, PA 18101

Mr. Matthew Heidorn
Pennsylvania Power and Light
Susquehanna Steam Electric Station
P. O. Box 467
Berwick, PA 18603

Mr. Terence Bannon
Nuclear Regulatory Affairs A2-4
Pennsylvania Power and Light
2 North Ninth Street
Allentown, PA 18101

Mr. David Baran
Commonwealth Edison Co.
Byron Nuclear Power Station
4450 North German Church Rd.
Byron, IL 61010

Mr. Michael Kneble
EnTergy Associates
Louisiana Power and Light
Waterford 3 SES
Highway 18
Taft, LA 70006

Mr. Dave Gustafson
Commonwealth Edison Co.
Braidwood Nuclear Power Station
Tech Staff Electrical Group
Route 1, Box 84
Braceville, IL 60407

Mr. Doug Mullen
Nebraska Public Power District
Cooper Nuclear Station
P. O. Box 98
Brownville, Nebraska 68321

Mr. Terry O'Brien
Commonwealth Edison Co.
1400 Opus Place
Downers Grove, IL 60515

Mr. Lenny Schiavone
Niagara Mohawk Power Corp.
301 Plainfield Road
North Syracuse, NY 13212

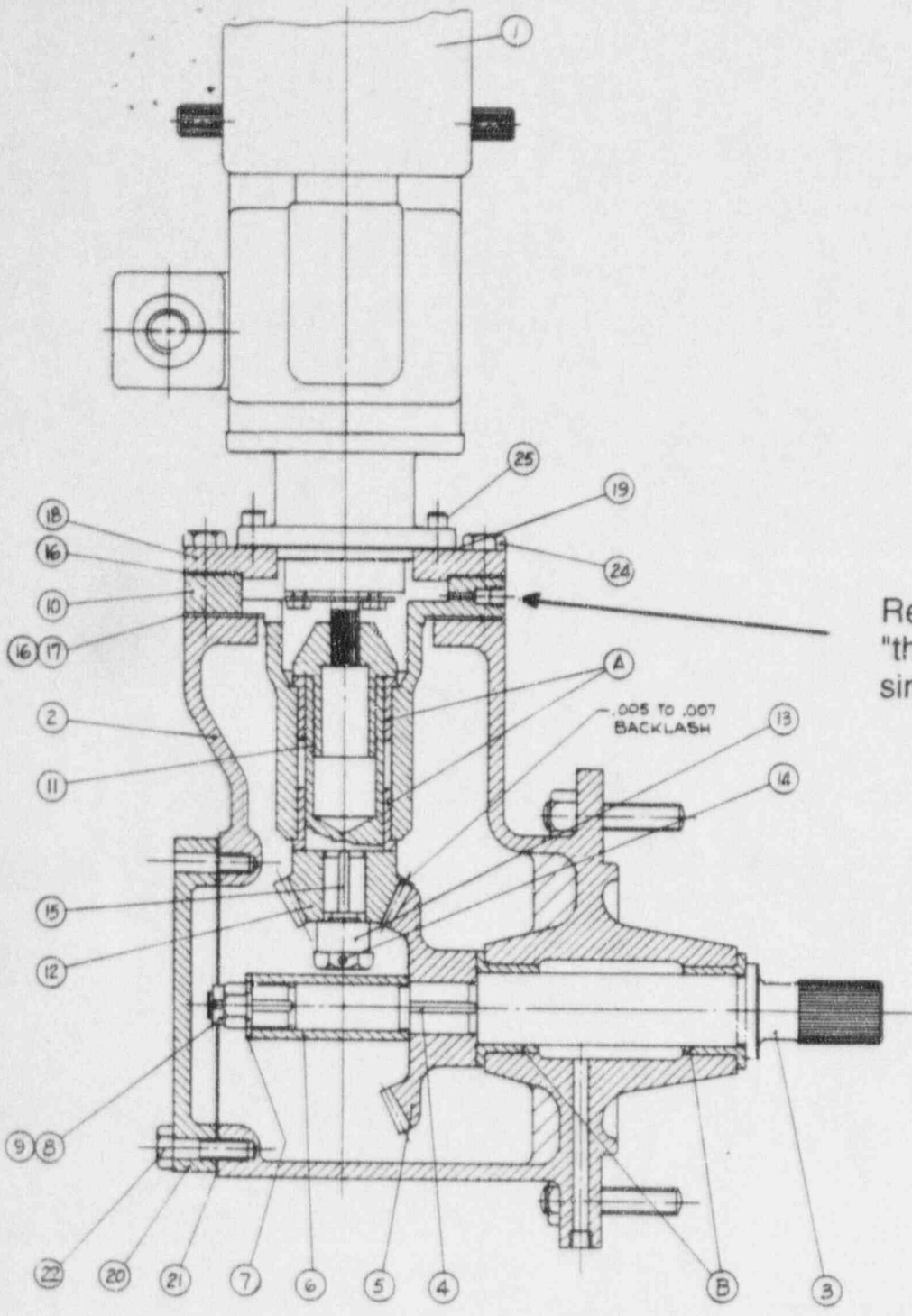
Ms. Kathleen Russo
Niagara Mohawk Power Corp.
Nine Mile Road - Unit 2
P. O. Box 63
Lycoming, NY 13093

Mr. Neil Thibodaux
Arizona Public Service
Palo Verde Nuclear Generating Station
P. O. Box 52034 Mail Station 7566
Phoenix, AZ 85072-2034

Mr. Thomas Bradish
Manager, Nuclear Regulatory Affairs
Arizona Public Service
P. O. Box 52034 Mail Station 7636
Phoenix, AZ 85072-2034

Mr. Terry Vandevort
Commonwealth Edison
Zion Generating Station
101 Shiloh Blvd.
Zion, IL 60099

Mr. Arthur G. Killinger
MPR Associates, Inc.
320 King Street
Alexandria, VA 22314-3238



Remove oil line and verify "through" hole using wire or similar object.