

Appendix 11B. Figures

Figure 11-1. Flow Diagram of Liquid Waste Recycle System

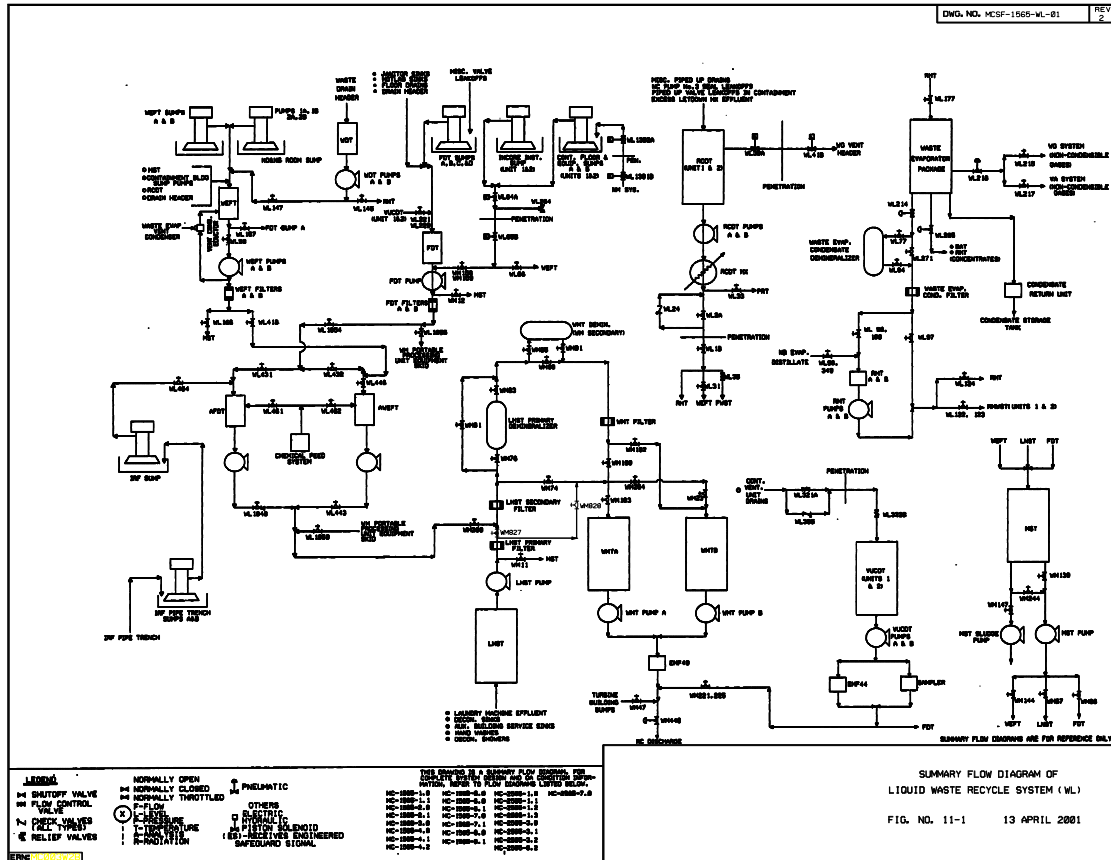


Figure 11-2. Deleted Per 1993 Update

Figure 11-3. Deleted Per 1993 Update

Figure 11-4. Deleted Per 1993 Update

Figure 11-5. Deleted Per 1993 Update

Figure 11-6. Deleted Per 1993 Update

Figure 11-7. Deleted Per 1993 Update

Figure 11-8. Deleted Per 1993 Update

Figure 11-9. Deleted Per 1993 Update

Figure 11-10. Deleted Per 1993 Update

Figure 11-11. Flow Diagram of Equipment Decontamination System (WE)

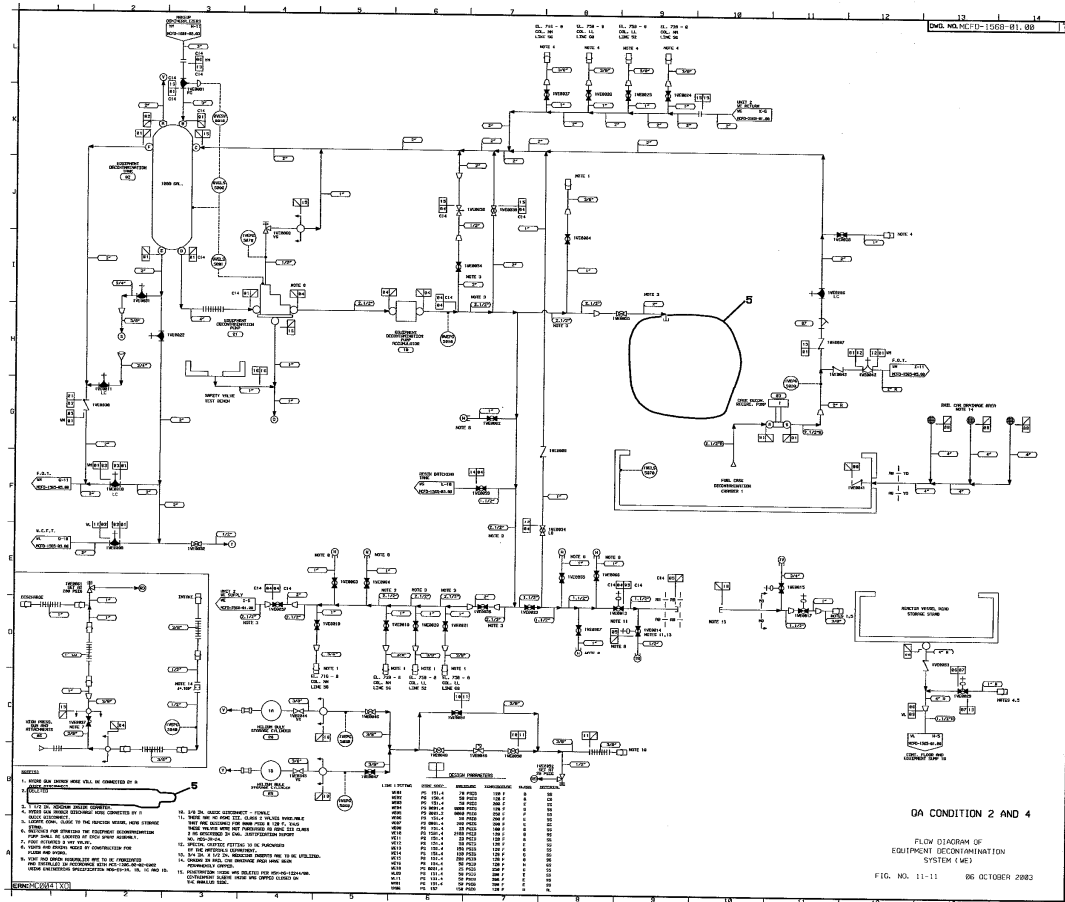


Figure 11-12. Deleted Per 1993 Update

Figure 11-13. Deleted Per 1993 Update

Figure 11-14. Average Equilibrium Concentrations of Radionuclides in Lake Norman

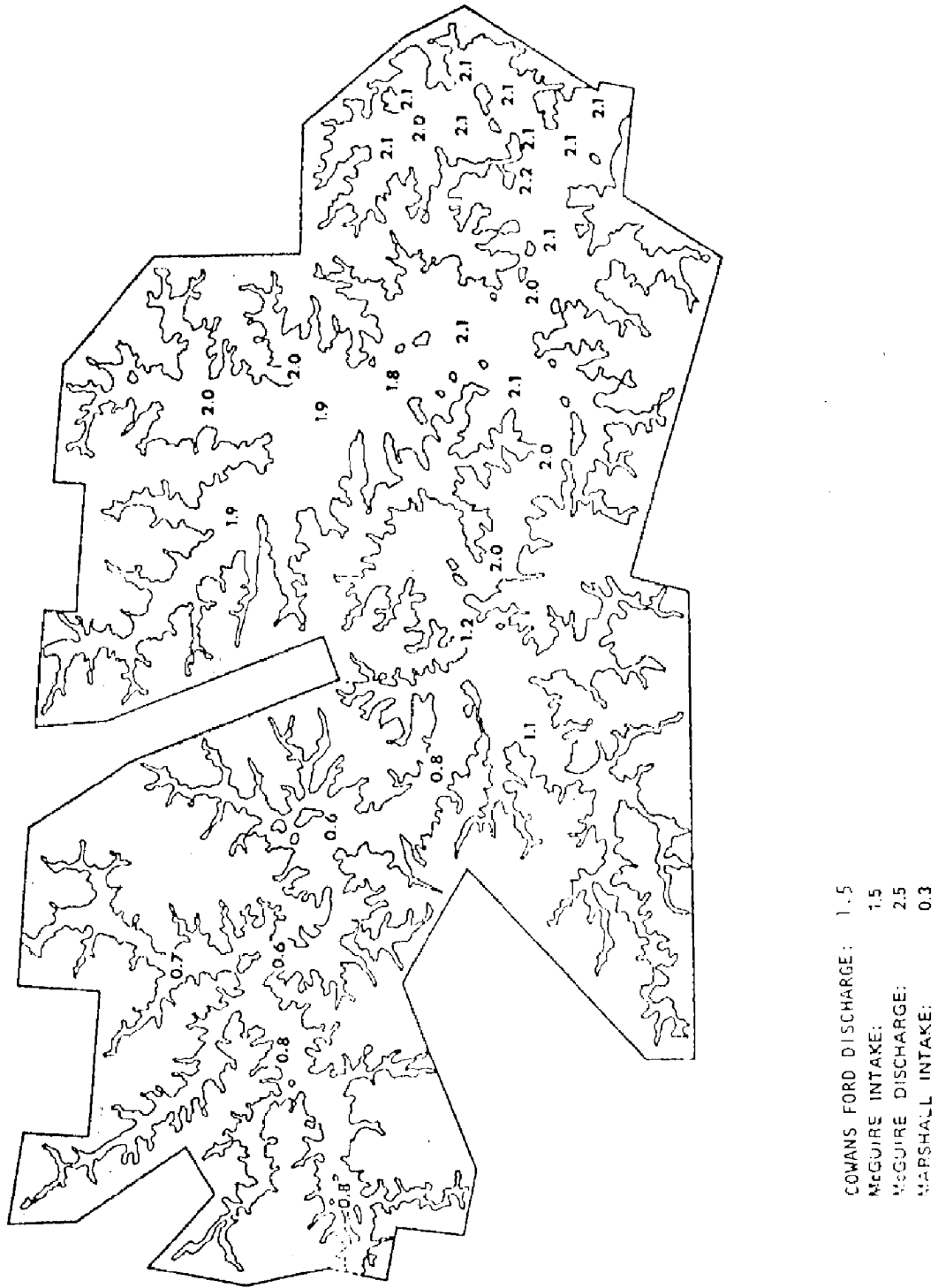


Figure 11-16. Deleted Per 1993 Update

Figure 11-17. Deleted Per 1993 Update

Figure 11-18. Flow Diagram of Waste Gas System

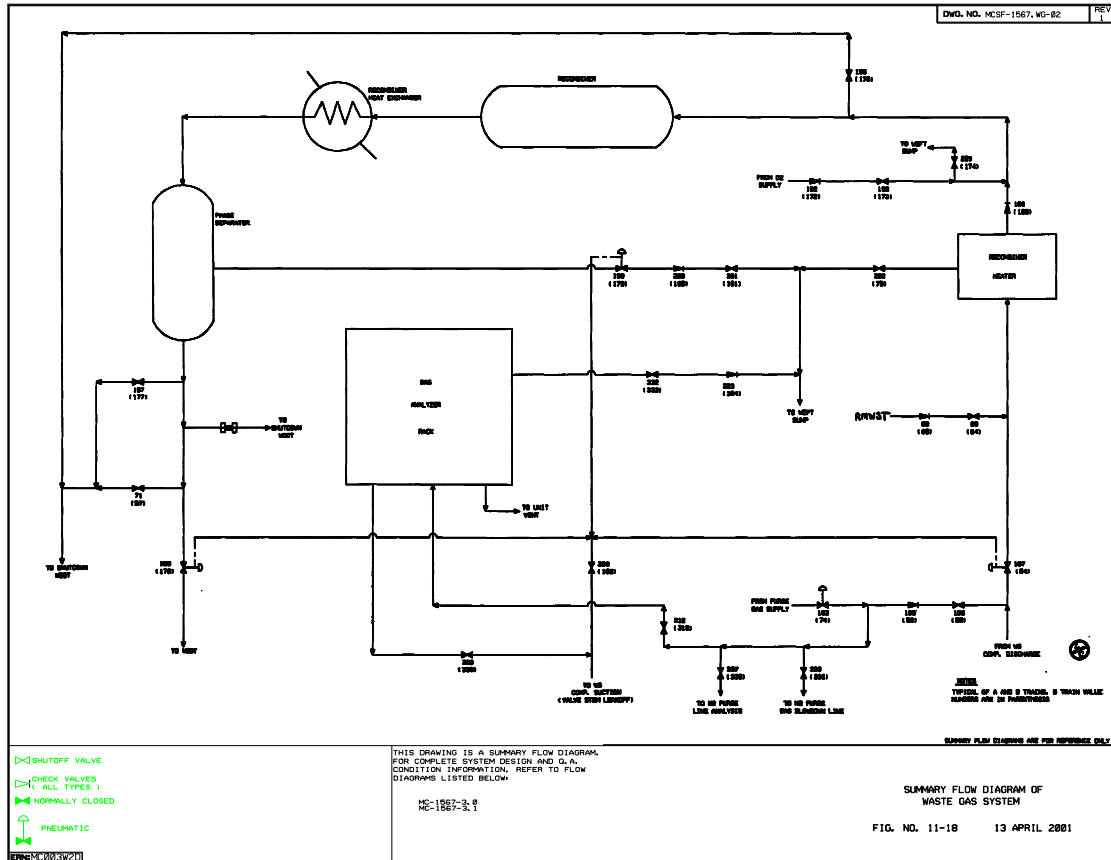


Figure 11-19. Deleted Per 1993 Update

Figure 11-20. Deleted Per 1993 Update

Figure 11-21. Estimated Waste Gas System Fission Gas Accumulation Based on Continuous Core Operation at 3580 MWt with 1 Percent Fuel Defects

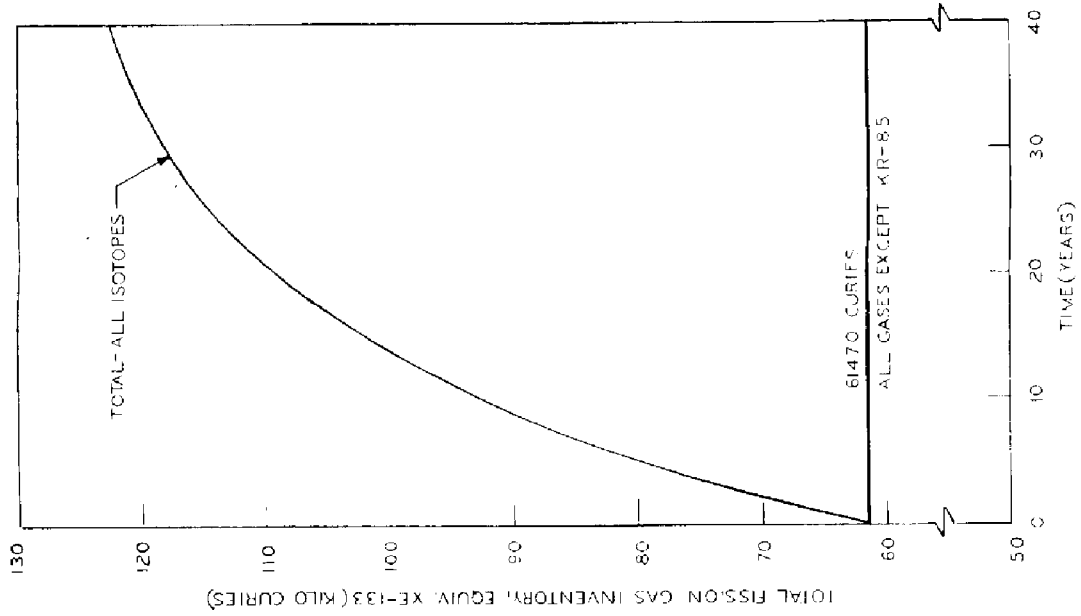


Figure 11-23. Deleted Per 1999 Update

Figure 11-24. Deleted Per 1996 Update

Figure 11-25. Deleted Per 1996 Update

Figure 11-26. Radiological Sampling Stations

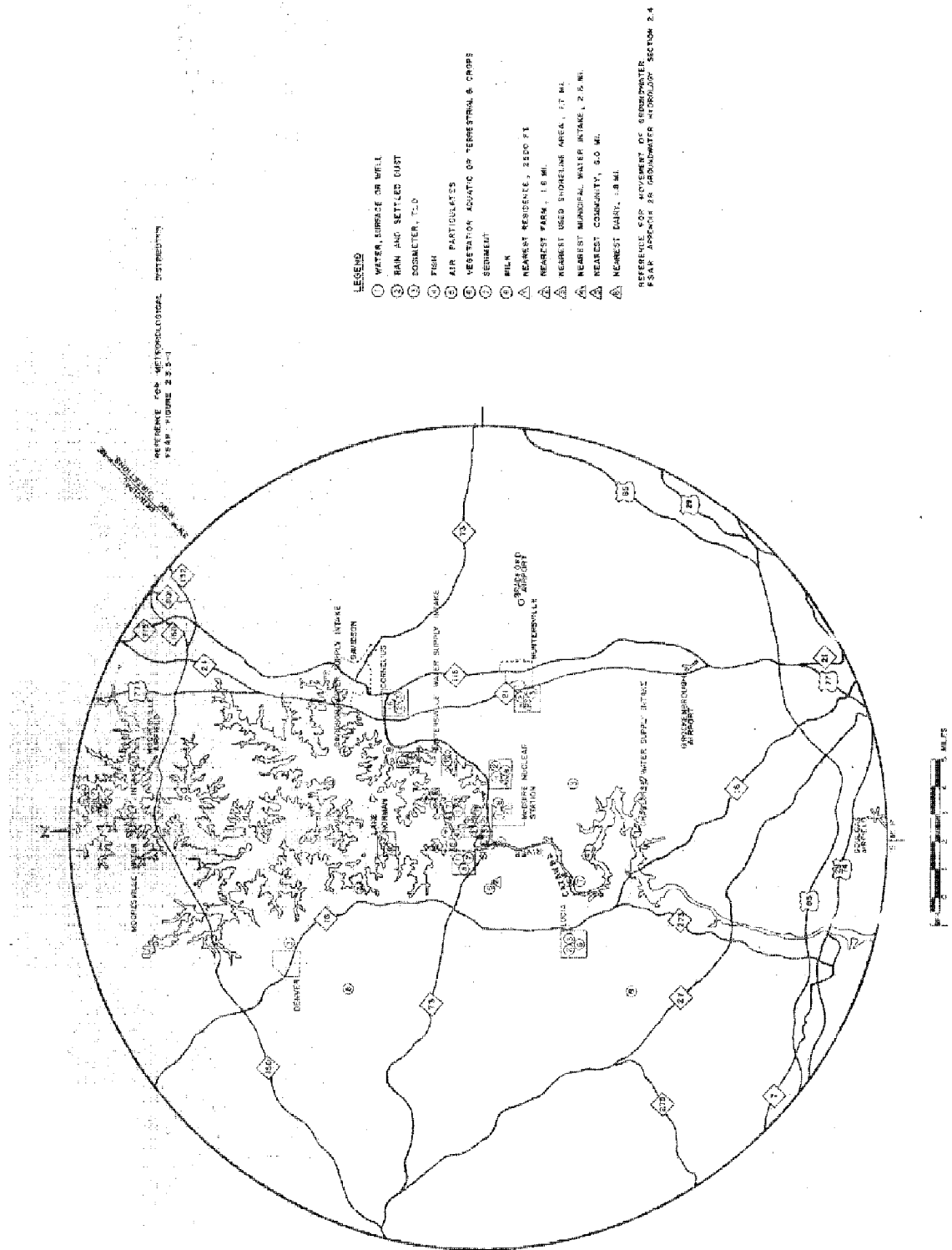


Figure 11-27. Liquid Radwaste Discharge Locations

