

LICENSEE EVENT REPORT (LER)

FACILITY NAME (1) CRYSTAL RIVER UNIT 3	DOCKET NUMBER (2) 0 5 0 0 0 3 0 2	PAGE (3) 1 OF 0 3
---	--------------------------------------	----------------------

TITLE (4)
AUXILIARY BUILDING EXHAUST FANS OUT OF SERVICE FOR MAINTENANCE

EVENT DATE (5)			LER NUMBER (6)			REPORT DATE (7)			OTHER FACILITIES INVOLVED (8)					
MONTH	DAY	YEAR	YEAR	SEQUENTIAL NUMBER	REVISION NUMBER	MONTH	DAY	YEAR	FACILITY NAMES			DOCKET NUMBER(S)		
0	6	2	5	8	4	8	4	0	N/A			0 5 0 0 0		
0	6	2	5	8	4	0	7	2	N/A			0 5 0 0 0		

OPERATING MODE (8) 1	THIS REPORT IS SUBMITTED PURSUANT TO THE REQUIREMENTS OF 10 CFR § (Check one or more of the following) (11)											
POWER LEVEL (10) 0.99	20.402(b)			20.408(c)			50.73(a)(2)(iv)			73.71(b)		
	20.405(a)(1)(i)			50.38(c)(1)			50.73(a)(2)(v)			73.71(e)		
	20.405(a)(1)(ii)			50.38(c)(2)			50.73(a)(2)(vii)			X OTHER (Specify in Abstract below and in Text, NRC Form 356A) Voluntary		
	20.405(a)(1)(iii)			50.73(a)(2)(i)			50.73(a)(2)(viii)(A)					
	20.405(a)(1)(iv)			50.73(a)(2)(ii)			50.73(a)(2)(viii)(B)					
20.405(a)(1)(v)			50.73(a)(2)(iii)			50.73(a)(2)(ix)						

LICENSEE CONTACT FOR THIS LER (12)

NAME W. K. Bandhauer, Nuclear Safety Supervisor	TELEPHONE NUMBER
	AREA CODE: 9 0 4 7 9 5 - 6 4 8 6

COMPLETE ONE LINE FOR EACH COMPONENT FAILURE DESCRIBED IN THIS REPORT (13)

CAUSE	SYSTEM	COMPONENT	MANUFACTURER	REPORTABLE TO NPROS	CAUSE	SYSTEM	COMPONENT	MANUFACTURER	REPORTABLE TO NPROS

SUPPLEMENTAL REPORT EXPECTED (14)

<input type="checkbox"/> YES (if yes, complete EXPECTED SUBMISSION DATE)	<input checked="" type="checkbox"/> NO	EXPECTED SUBMISSION DATE (15)
		MONTH: DAY: YEAR:

ABSTRACT (Limit to 1400 spaces, i.e. approximately fifteen single-space typewritten lines) (16)

On March 22, 1984 and June 25, 1984, the Auxiliary Building Exhaust Fans were taken out of service in order to perform modifications to the ventilation system dampers. Technical Specification 3.7.8.1 requires two independent pairs of exhaust fans be operable. With both pairs of exhaust fans out of service, the limiting condition as specified in Technical Specification 3.7.8.1 was not met and Technical Specification 3.0.3 was entered.

These two evolutions were originally determined to be nonreportable, since Technical Specification 3.0.3 was entered voluntarily for maintenance purposes. A subsequent evaluation made on July 13, 1984 determined that the evolutions would be reported.

8408060306 840725
PDR ADOCK 05000302
S PDR

IE22
1/1

LICENSEE EVENT REPORT (LER) TEXT CONTINUATION

FACILITY NAME (1) CRYSTAL RIVER UNIT 3	DOCKET NUMBER (2) 0500030284-014-010	LER NUMBER (6)			PAGE (3)		
		YEAR	SEQUENTIAL NUMBER	REVISION NUMBER			
					02	OF	03

TEXT (If more space is required, use additional NRC Form 365A's) (17)

EVENT DESCRIPTION

On July 13, 1984, a review of the conditions involving work on a plant modification (damper and ductwork replacement for the Auxiliary Building Ventilation System) with the NRC resident inspector revealed two events which are hereby reported.

1. On March 22, 1984, during a planned shutdown, at 0330 the Auxiliary Building Exhaust Fans (AHF-14 A, B, C, D) (VF, FAN) were taken out of service in order to install a blank-off plate (FB) on makeup air damper AHD-37 (VF, DMP) (Figure 1). The purpose of the blank-off plate was to allow the ventilation system to be operated while damper AHD-37 was replaced. The blank-off plate was installed, and a pair of exhaust fans restarted at 0550 on 3/22/84.
2. On June 25, 1984, at 0445 the Auxiliary Building Exhaust Fans were taken out of service in order to install a blank-off plate on the exhaust duct for filter bank AHFL-2B (VF, FLT). The purpose of the blank-off plate was to allow the exhaust damper for the filter bank to be replaced. The blank-off plate was installed and the exhaust fans restarted at 0530 on 6/25/84.

Both of these evolutions were carefully planned and staged in order to minimize the time that the fans were secured and, hence, minimize the time that Technical Specification 3.0.3 was in effect.

SAFETY CONSIDERATIONS

The Auxiliary Building ventilation system is not a safety-related system. It is designed to provide suitable ambient conditions for personnel and equipment, and to mitigate the effects of post accident conditions in the Auxiliary Building. The exhaust fans provide a negative pressure within the Auxiliary Building relative to areas outside the building. This assures all leakage of air will be into the building and all discharges will be filtered and monitored through the exhaust filter and fan system. For the two controlled evolutions reported here, the supply and exhaust fans were secured, leaving unpressurized release through building openings as the only release path. All doors to the Auxiliary Building were closed prior to securing the fans, thus restricting the release path. The potential release for both evolutions was judged to be well below the release limits and reporting limits.

CORRECTIVE ACTION

The Plant Manager has issued a policy memo stating that Technical Specification 3.0.3 shall not be entered intentionally for planned maintenance purposes without his permission.

PREVIOUS SIMILAR EVENTS

All four Auxiliary Building Exhaust Fans were inoperable on two other occasions - October 18, 1983 and June 15, 1984. These two occurrences were due to unplanned equipment failures and thus unrelated to the circumstances of this report.

FACILITY NAME (1) CRYSTAL RIVER UNIT 3	DOCKET NUMBER (2) 0 5 0 0 0 3 0 2	LER NUMBER (8)			PAGE (3)		
		YEAR	SEQUENTIAL NUMBER	REVISION NUMBER			
		8 4	- 0 1 4	- 0 0 0	3	of	0 3

TEXT (if more space is required, use additional NRC Form 366A's) (17)

AUXILIARY BUILDING
EXHAUST VENTILATION SYSTEM

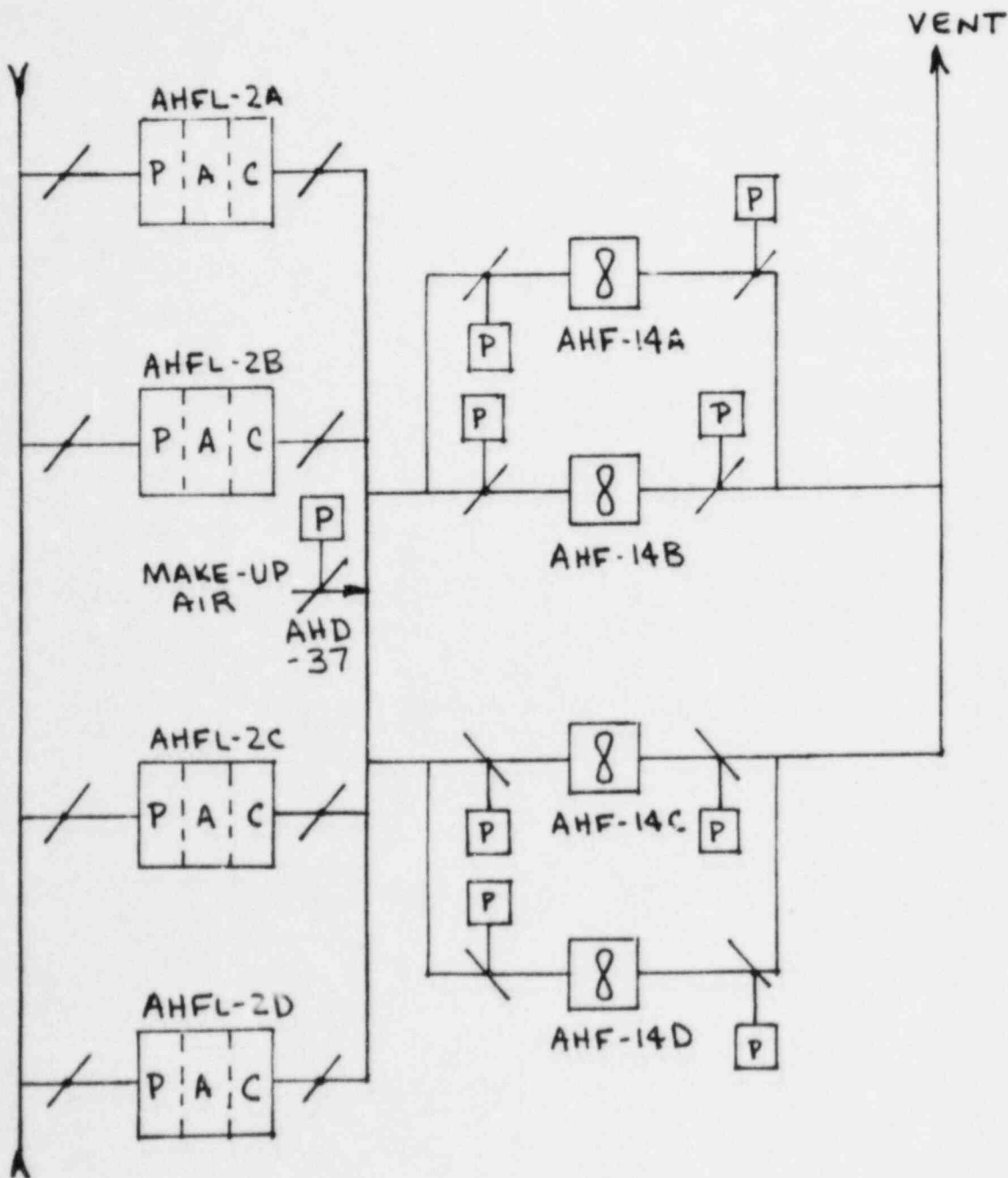
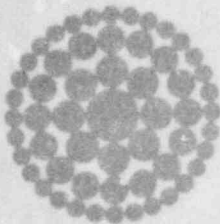


FIGURE 1



**Florida
Power**
CORPORATION

July 25, 1984
3F0784-19

Document Control Desk
U.S. Nuclear Regulatory Commission
Washington, DC 20555

Subject: Crystal River Unit 3
Docket No. 50-302
Operating License No. DPR-72
Licensee Event Report No. 84-014-00

Dear Sir:

Enclosed is Licensee Event Report (LER) No. 84-014-00 which is submitted voluntarily by Florida Power Corporation.

Should there be any questions, please contact this office.

Sincerely,

G. R. Westafer
Manager, Nuclear Operations
Licensing and Fuel Management

RHT/feb

Enclosure

cc: Mr. James P. O'Reilly
Regional Administrator, Region II
Office of Inspection & Enforcement
U.S. Nuclear Regulatory Commission
101 Marietta Street N.W., Suite 2900
Atlanta, GA 30323

IE22
11