

pmb

ILLINOIS POWER COMPANY



0982-L
U-10163

CLINTON POWER STATION, P.O. BOX 678, CLINTON, ILLINOIS 61727

June 1, 1984

Docket No. 50-461

Mr. James G. Keppler
Regional Administrator
Region III
U. S. Nuclear Regulatory Commission
799 Roosevelt Road
Glen Ellyn, Illinois 60137

PRINCIPAL STAFF			
RA	<i>hos</i>	PRP	<i>sig 11</i>
D/RA		DE	
A/RA		DRMSP	
RC		DRMA	
PAO		SCS	
SGA		ML	
ENF		File	<i>hos</i>

Subject: Clinton Independent Design Review

Dear Mr. Keppler:

This is in reference to my May 31, 1984 letter which, through administrative error, was transmitted without drawings in Attachment 2. It is requested that the drawings forwarded by this letter be attached to my letter of May 31, 1984.

Sincerely yours,

D. P. Hall
Vice President

DPH/jb

cc: NRC Resident Office
Director, Office of I&E, USNRC, Washington, DC 20555
NRC Clinton Licensing Project Manager
Illinois Department of Nuclear Safety

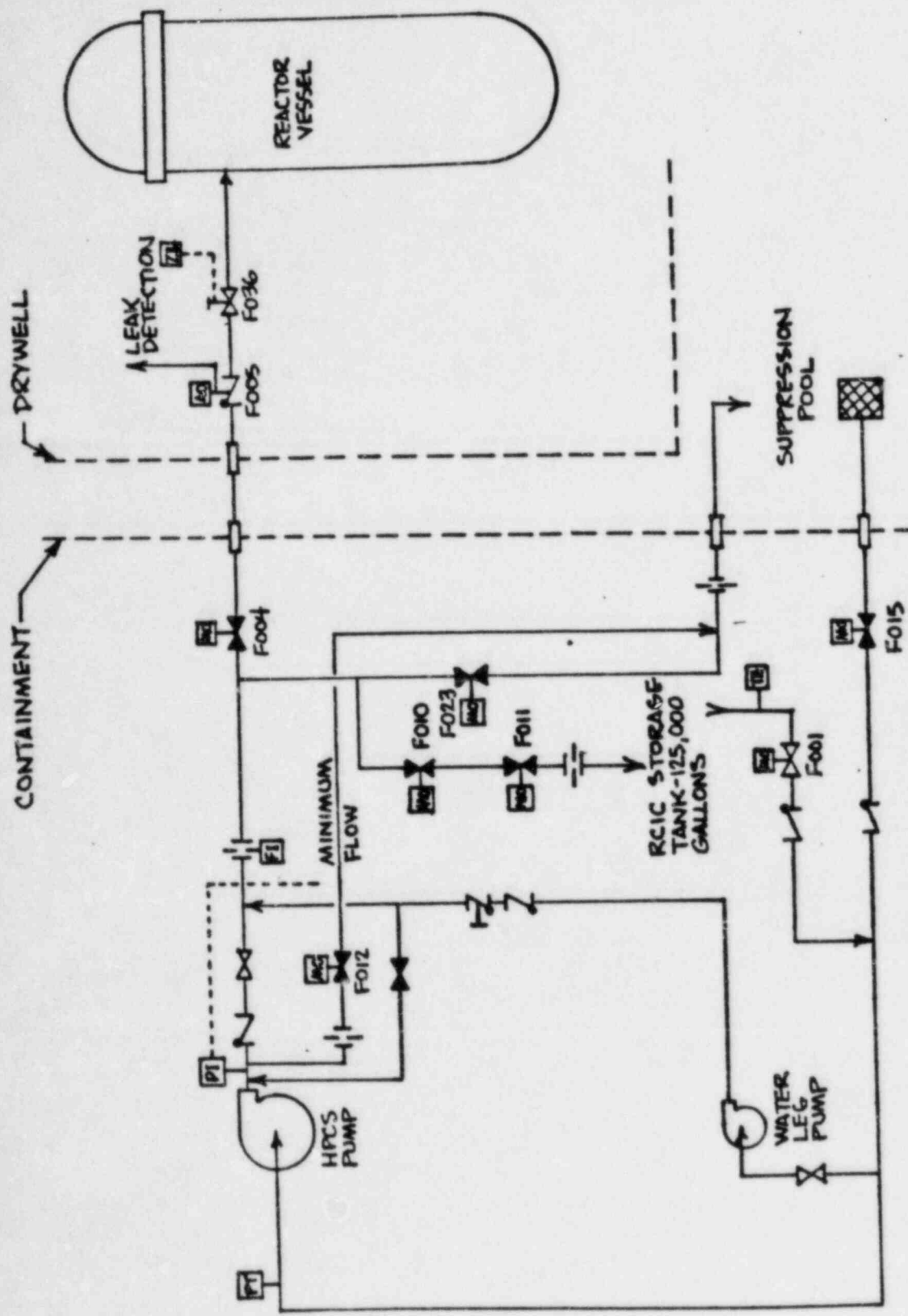
Attachments:

- Figure No. 1 - High Pressure Core Spray
- Figure No. 2 - Standby Liquid Control System

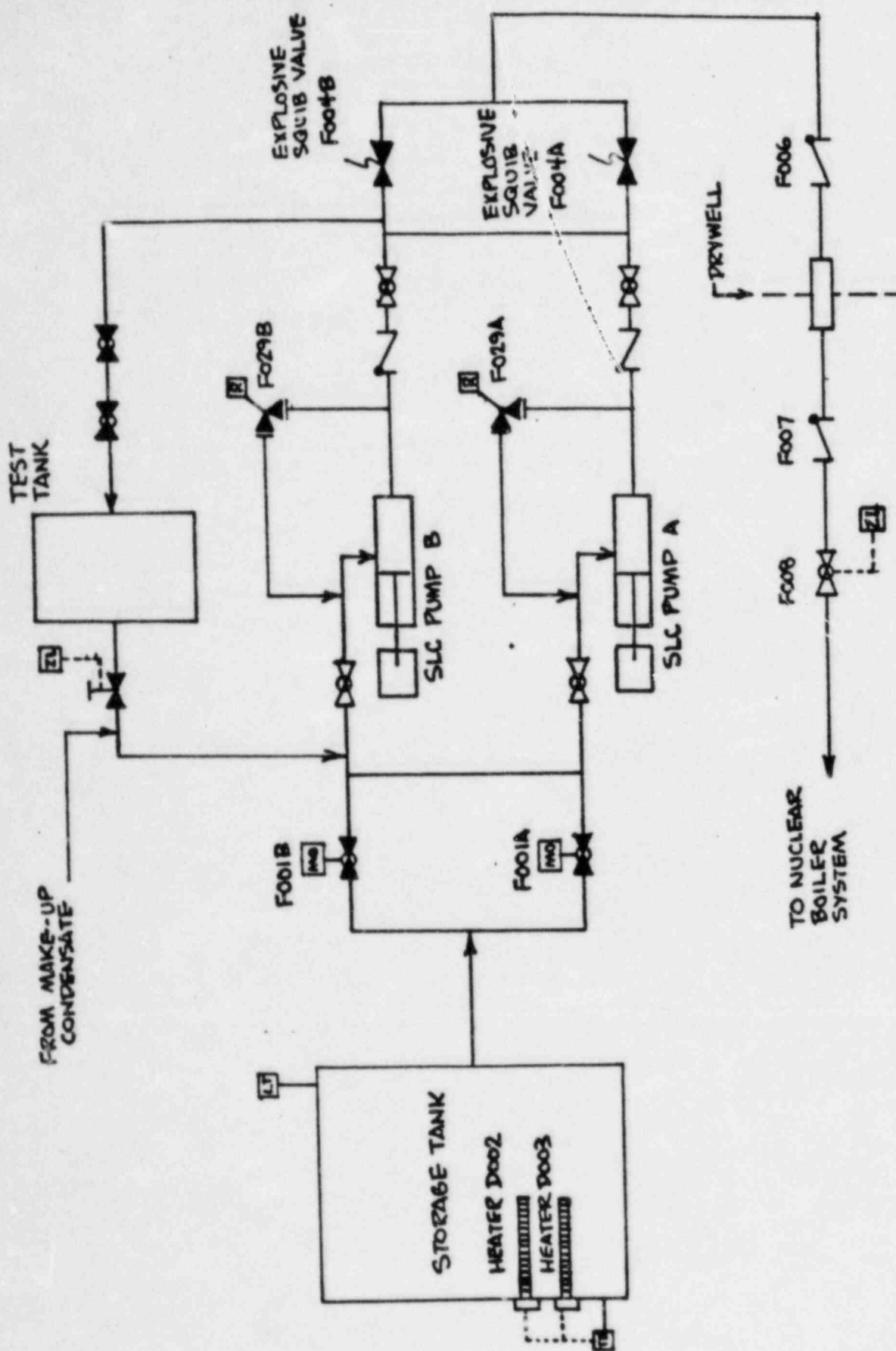
JUN 4 1984

8406060176 840601
PDR ADOCK 05000461
A PDR

IEO 11



HIGH PRESSURE CORE SPRAY
FIGURE 1



STANDBY LIQUID CONTROL SYSTEM
 FIGURE 2