

RTI Inc.

108 LAKE DENMARK ROAD, ROCKAWAY, NJ 07866
(201) 625-8400 • FAX (201) 625-7820

July 19, 1990

Mr. Richard W. Cooper, II
Nuclear Regulatory Commission
Region 1
475 Allendale Road
King of Prussia, PA 19406

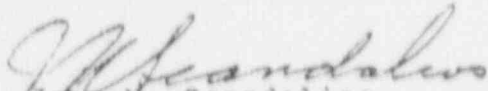
Dear Mr. Cooper:

This is to confirm the telephone discussion I had with you earlier today.

We are appreciative of the change in the proposed date for the Enforcement Conference to August 14, 1990. As I indicated to you, we are anxious to cooperate and bring this issue to a satisfactory resolution. As I explained to you, our only difficulty in confirming the acceptability of that date is that we do not yet have the documents requested and have no idea of how long it will take for us to review the documents to prepare for the Enforcement Conference. However, I wanted to make clear that, if we receive the requested documents by early next week and if they do not contain some new information or issues which would be time intensive to address, I believe we would be prepared to attend an Enforcement Conference on August 14, 1990.

Your cooperation is appreciated.

Very truly yours,


John N. Scandalios
President

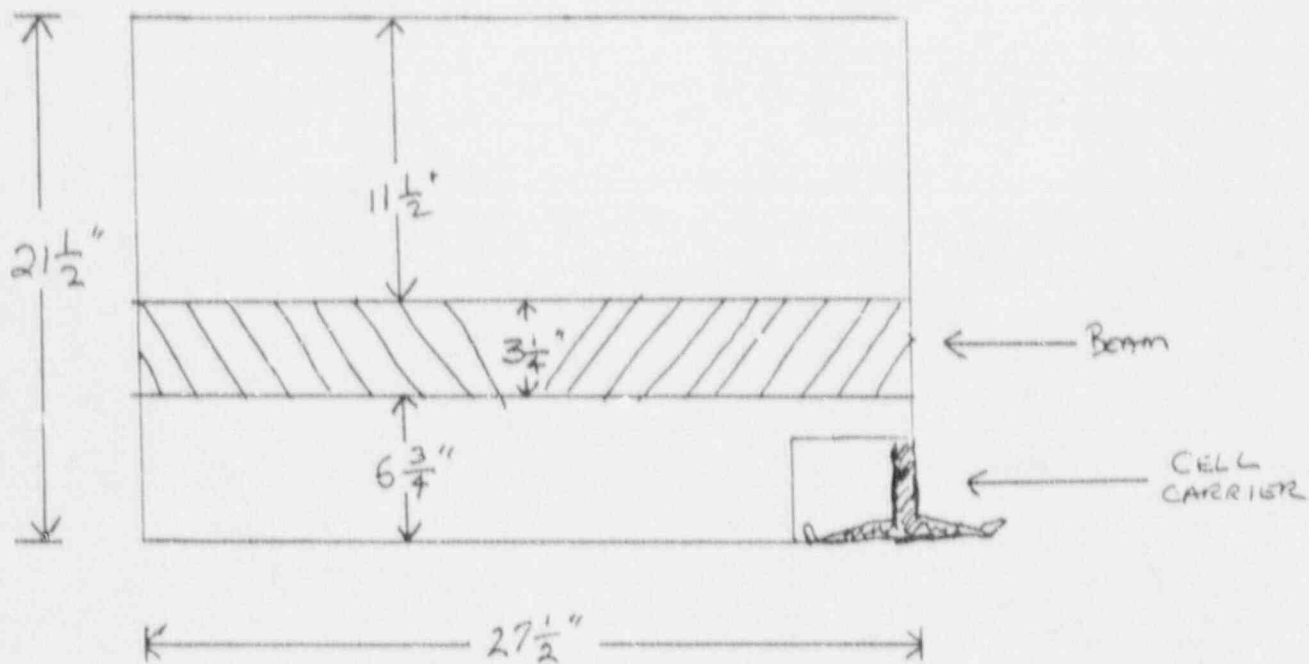
JNS:jk

9101220435 900913
PDR FOIA
JONES90-334 PDR

B/89

Release

OPENING ABOVE CELL DOOR RTI



NOTE: CELL DOOR IS 111" (9'3") FROM FLOOR TO OPENING. \uparrow FLOOR

B/90