



Commonwealth Edison
1400 Opus Place
Downers Grove, Illinois 60515

February 22, 1994

Dr. Thomas E. Murley, Director
Office of Nuclear Reactor Regulation
U.S. Nuclear Regulatory Commission
Washington, D.C. 20555

Attn: Document Control Desk

Subject: Zion Station Units 1 and 2
Inservice Testing Program for
Pumps and Valves, Third Interval
NRC Docket Nos. 50-295 and 50-304

Reference: (a) August 31, 1993 letter from T. Simpkin to Dr. T. Murley

Dear Dr. Murley:

The Reference letter provided the Third Interval Inservice Testing Program (IST) for Zion Station. In support of the ongoing review, Commonwealth Edison Company (CECo), provided the attached drawing of a tilting disc check valve to your contracted reviewer. This valve design is the subject of relief request number VR-05. CECo is now providing the same information to your office for docketing purposes.

Please direct any questions regarding this matter to this office.

Respectfully,

Terrance W. Simpkin

T.W. Simpkin
Nuclear Licensing Administrator

240010

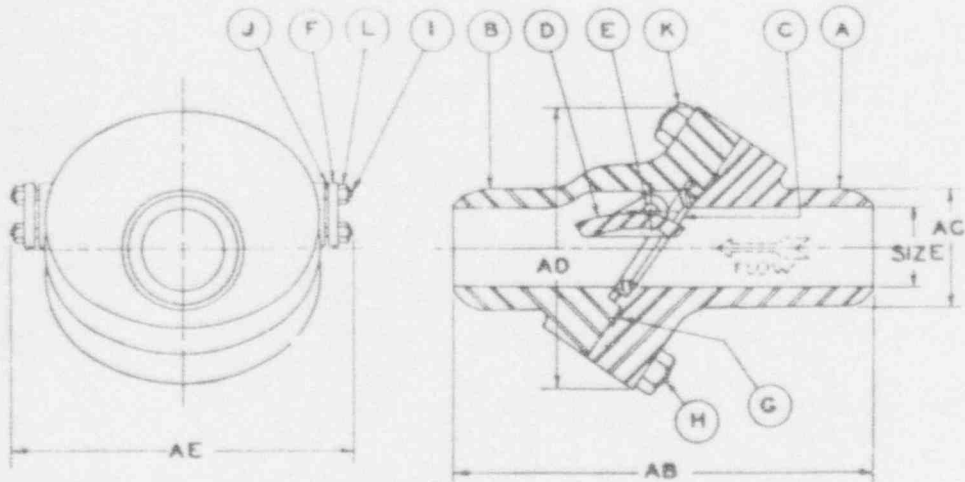
Enclosure

cc: J.B. Martin, Regional Administrator - RIII
C.Y. Shiraki, Project Manager - NRR
J.D. Smith, Senior Resident Inspector - Zion

k:nla:zion:nrc:1

9403020017 940222
PDR ADOCK 05000295
PDR

AD47



SIZE OF VALVE	4	5	6	8	10	12	16	18	20	24
INSIDE DIA OF VALVE	4	5	6	8	10	11 ³ / ₄	14 ³ / ₄	16 ¹ / ₂	18 ¹ / ₄	22
AB	17	20	22	26	31	33	39	43	47	55
AC	5 ¹ / ₄	6 ¹ / ₂	7 ¹ / ₂	10	11 ³ / ₄	13 ⁷ / ₈	16 ¹ / ₂	19 ³ / ₄	21 ⁷ / ₈	26 ¹ / ₈
AD	12 ⁷ / ₈	14 ¹ / ₂	16	18 ¹ / ₈	22 ³ / ₈	25 ⁵ / ₈	29 ³ / ₄	34 ¹ / ₈	37 ¹ / ₂	43 ³ / ₄
AE	16	19 ¹ / ₄	20 ¹ / ₂	23 ¹ / ₂	27 ¹ / ₂	31 ⁹ / ₁₆	36 ⁷ / ₈	42 ³ / ₄	46 ³ / ₄	54 ¹ / ₄

FOR L...

L	BRG. CAP STUD NUTS	4
K	BODY STUD NUTS	
J	BRG. CAP GASKET	2

1	BRG. CAP STUDS	4	CHAPMAN DIVISION — CRANE CO. INDIAN ORCHARD, MASS.
H	BODY STUDS		
G	GASKET	1	CHART OF LIST 823A WE. TILTING DISC CHECK VALVES WITH FLEXITALLIC GASKET
F	BEARING CAP	2	
E	HINGE PIN	2	DRAWN BY <u>E. SIDUR</u> M. O. NUMBERS
D	DISC	1	
C	SEAT RING	1	TRACED BY _____ CHECKED BY <u>J. L. W.</u> APPROVED BY <u>W. A. B.</u>
B	BODY (OUTLET HALF)	1	
A	BODY (INLET HALF)	1	SCALE NONE DATE 9-9-58
NO.	PART	REQ	