

TEL: (416) 475-9420
TELEX: 06-266848
Cable: Morwein-Markham
FAX: (416) 475-2535



MARATHON MANAGEMENT COMPANY
(A SUBSIDIARY OF MARATHON WATCH COMPANY LTD.)
67A STEELCASE RD. WEST, MARKHAM, ONT. L3R 2M4

August 30, 1989

Nuclear Regulatory Commission
11555 Rockville Pike,
1 White Flint North
Rockville, MD 20852
U.S.A.

Attention: Floyd Deschamps

Enclosed please find drawings of navigational watch and General purpose watch with vials. Page four of the drawings covers both watches.

Also, Enclosed find the letters sent to you by fax on August 29, 1989.
Re: Compasses and watches.

Hope the above information is to your satisfaction.

Regards,

MARATHON WATCH COMPANY LTD.

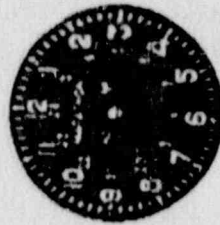
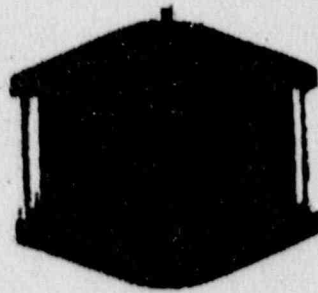
Leon Wein *per: L. Wein*

Encl./cw

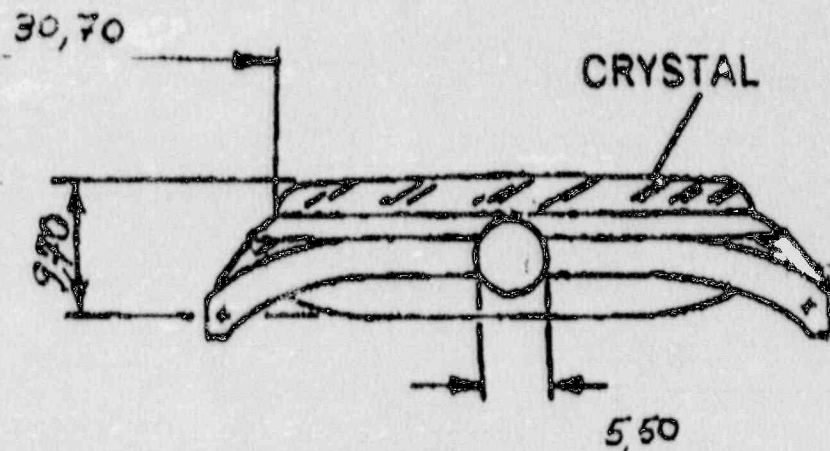
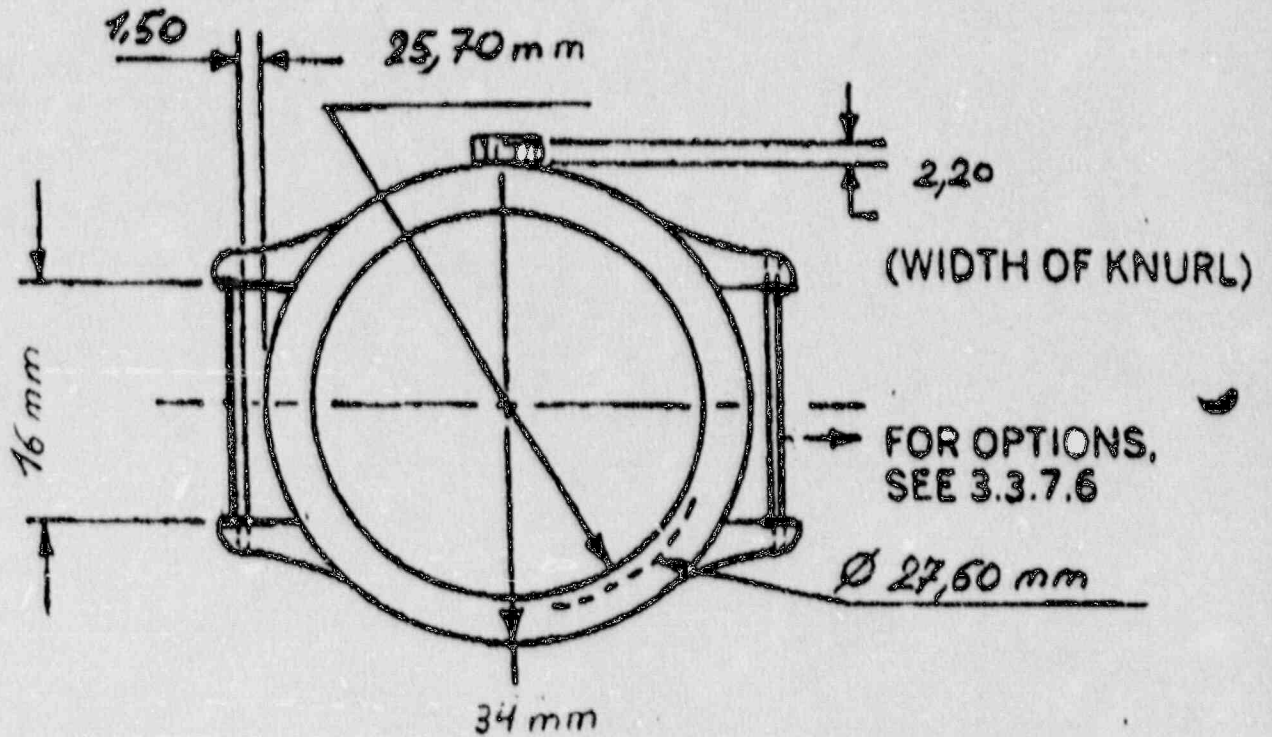
9002020284 900130
PDR FDIA
BICKMAN90-11 PDR

A/9

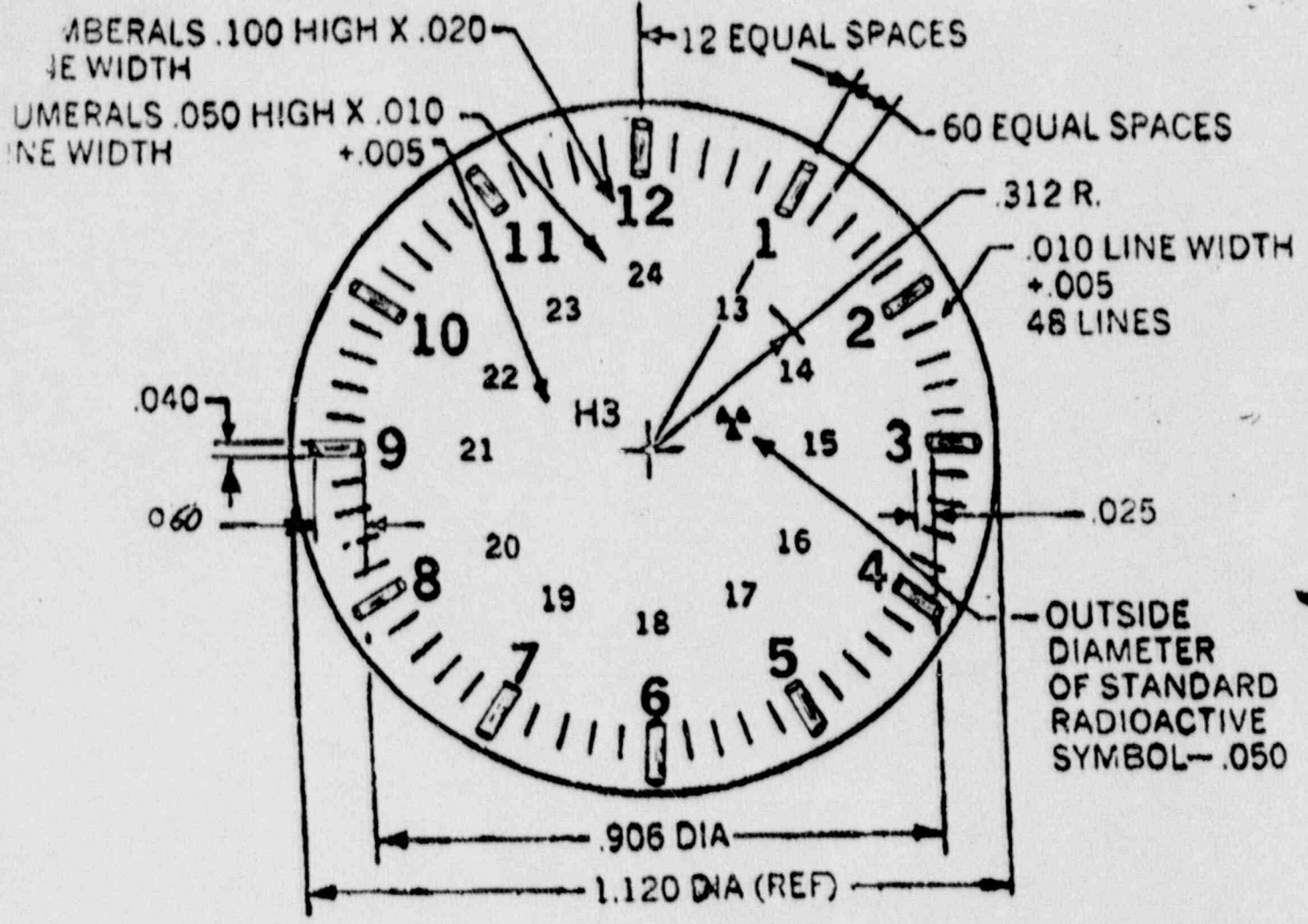
Boite military wrist watch :



- 1) \emptyset outside = 34mm inches 1.34
- 2) \emptyset inside = 25.70mm inches 1.02
- 3) space between bars and case = 7.50mm inches 0.06
- 4) space between lugs = 16mm inches 0.63
- 5) thickness of crown = 2.20mm inches 0.09
- 6) \emptyset of crown = 5.50mm inches 0.22
- 7) total thickness of watch = 9.70 mm inches 0.39
- 8) \emptyset total of crystal = 30.70 mm inches 1.21
- 9) \emptyset dial opening = 27.60mm inches 1.09




DIMENSIONS IN INCHES
TOLERANCES + .010 (UNLESS OTHERWISE SPECIFIED)



12 PLACES, OR 12 POSITIONS OF GLASS VIAL
 VISIBILITY

NOTES.

1. Dial face background in accordance with FED-STD-595 Color Black No. 37038.
2. Numbers and graduations in accordance with FED-STD-595 Color White No. 37875.
3. All triangles to be luminescent green.
4. H3 and  shall be centrally located and clearly visible.

Dimensions in inches
 unless otherwise
 specified
 Tolerances
 Decimals + .010

INCHES	MM
.005	.127
.010	.254
.020	.508
.025	.635
.040	1.016
.050	1.270
.062	1.575
.100	2.540
.312	7.9248
.906	23.012
1.120	28.575

FIGURE 1

MILITARY WRIST WATCH

NAVIGATIONAL WATCH

- 1) dial
- 2) rotating bezel
- 3) case
- 4) back
- 5) cover for recess of battery
- 6) complete case

