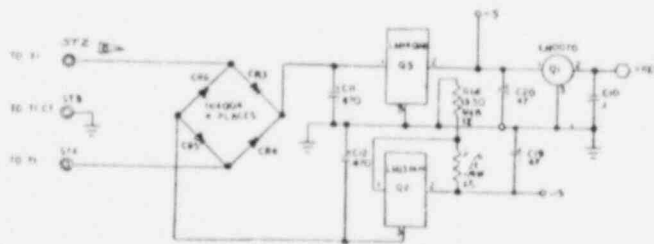
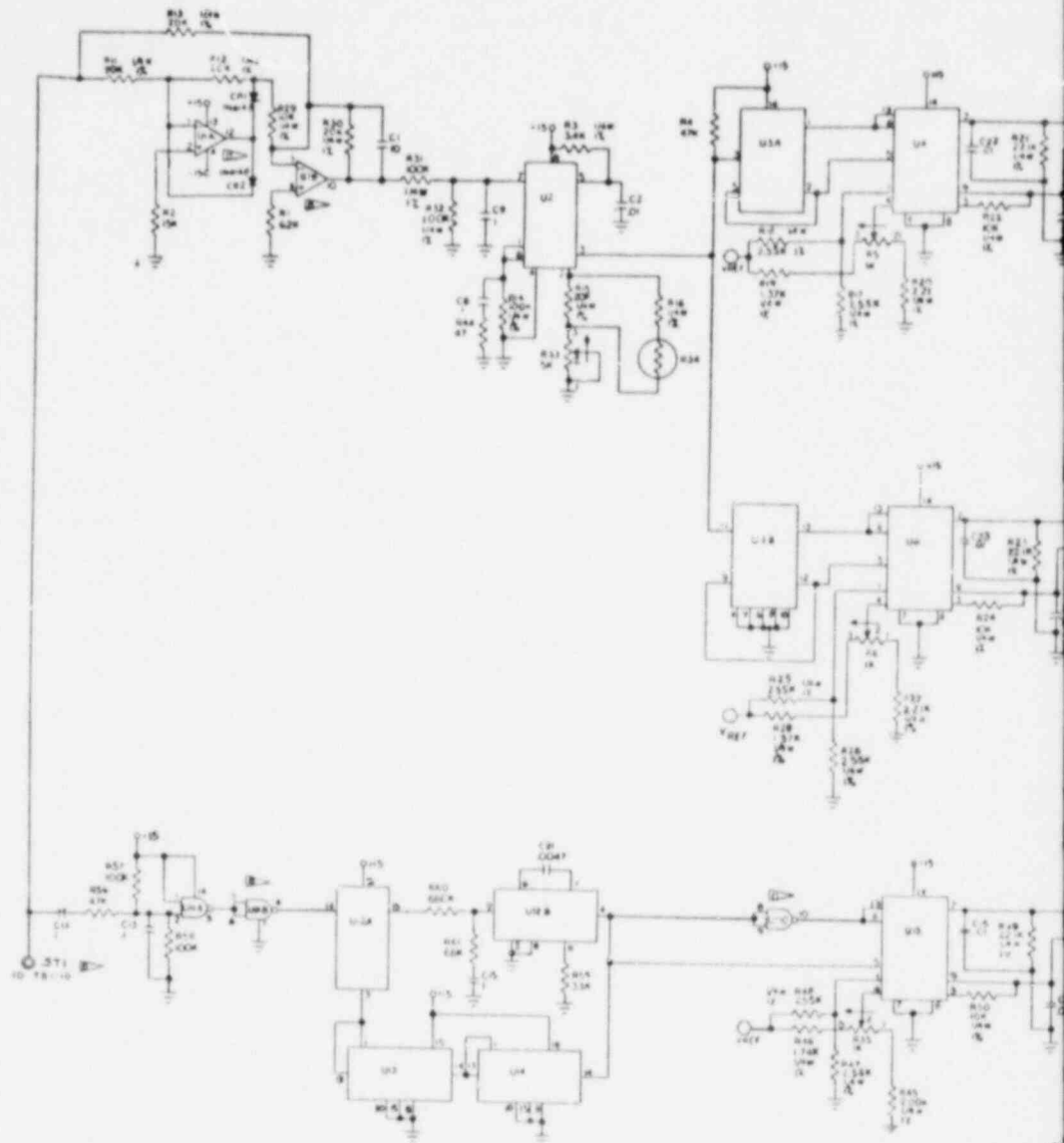


IE-4216AC



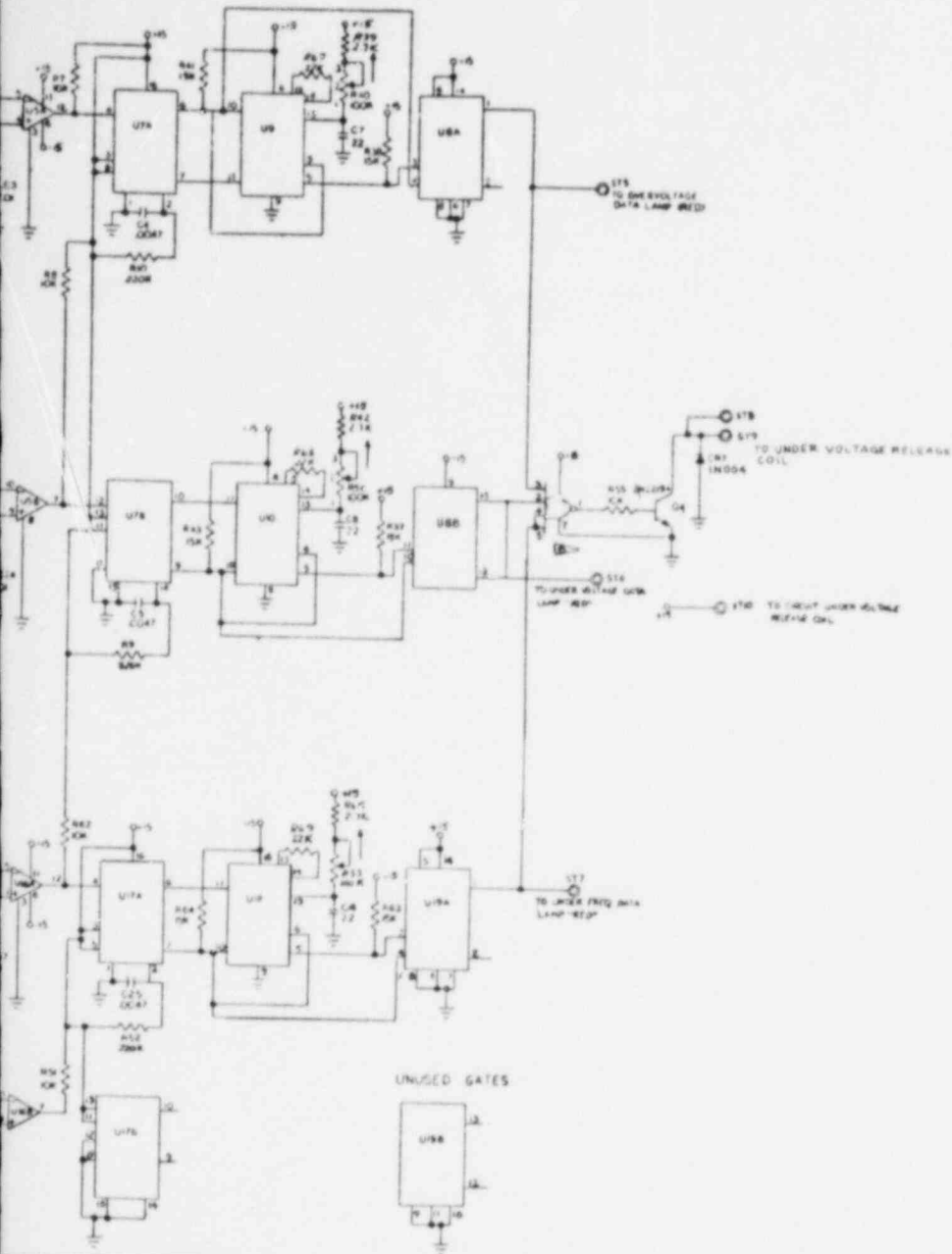
NOTES:  
 UNLESS OTHERWISE SPECIFIED  
 1. ALL RESISTOR ARE 1/4W 5%  
 2. ALL RESISTANCE IN OHMS  
 3. ALL CAPACITANCE IN MICROFARADS  
 4. FOR ASSEMBLY DRAWING SEE 470525795

| REFERENCE DESIGNATION | GT REF TYPE | VV PIN | COM PIN | IC DAT | AS |
|-----------------------|-------------|--------|---------|--------|----|
| U1                    | LM731AD     | 15     | 4(CPU)  |        |    |
| U2                    | LM751AH     | 5      | 4       |        |    |
| U3, U4, U5            | MC4058AL    | 14     | 7       |        |    |
| U6, U7, U8            | MC14068AL   | 14     | 7       |        |    |
| U9, U10               | LM119AD     | 11     | 5, 7, 8 |        |    |
| U11, U12              | MC14058AL   | 14     | 7       |        |    |
| U13, U14, U15         | KX224D      | 16     | 8       |        |    |
| U16                   | MC140958AL  | 14     | 7       |        |    |
| U17                   | MC14068AL   | 14     | 7       |        |    |
| U18, U19              | MC140958AL  | 14     | 7       |        |    |
| U20                   | MC14068AL   | 14     | 7       |        |    |

8105280274

POOR ORIGINAL

AMENDMENT 56  
MAY 1981  
REV. A 3-02-81



| DESCRIPTION       | QTY | REF      | MARKING | REVISION |
|-------------------|-----|----------|---------|----------|
| OPERATIONAL       | 1   | U7A, U7B | LM174AD |          |
| UNDER VOLTAGE LED | 1   | U8       | LM151AH |          |
| LED DRIVER FLOP   | 1   | U8A, U8B | CD4013B |          |
| BILATERAL SWITCH  | 1   | U9A, U9B | CD4066B |          |
| SPEED DUAL COMPAR | 1   | U9C      | LM119AD |          |
| PRECISION REF     | 1   | U9D      | LM119AD |          |
| MONOSTABLE        | 1   | U9E      | LM174AD |          |
| MONOSTABLE        | 1   | U9F      | LM174AD |          |
| MONOSTABLE        | 1   | U9G      | LM174AD |          |
| MONOSTABLE        | 1   | U9H      | LM174AD |          |
| MONOSTABLE        | 1   | U9I      | LM174AD |          |
| MONOSTABLE        | 1   | U9J      | LM174AD |          |
| MONOSTABLE        | 1   | U9K      | LM174AD |          |
| MONOSTABLE        | 1   | U9L      | LM174AD |          |
| MONOSTABLE        | 1   | U9M      | LM174AD |          |
| MONOSTABLE        | 1   | U9N      | LM174AD |          |
| MONOSTABLE        | 1   | U9O      | LM174AD |          |
| MONOSTABLE        | 1   | U9P      | LM174AD |          |
| MONOSTABLE        | 1   | U9Q      | LM174AD |          |
| MONOSTABLE        | 1   | U9R      | LM174AD |          |
| MONOSTABLE        | 1   | U9S      | LM174AD |          |
| MONOSTABLE        | 1   | U9T      | LM174AD |          |
| MONOSTABLE        | 1   | U9U      | LM174AD |          |
| MONOSTABLE        | 1   | U9V      | LM174AD |          |
| MONOSTABLE        | 1   | U9W      | LM174AD |          |
| MONOSTABLE        | 1   | U9X      | LM174AD |          |
| MONOSTABLE        | 1   | U9Y      | LM174AD |          |
| MONOSTABLE        | 1   | U9Z      | LM174AD |          |

FOR NOTES & REF DWGS SEE DWG. 1E-1-4216AA  
REPRODUCED FROM AS. DWG. 41552/1196 REV. B

**LA SALLE COUNTY STATION**  
**FINAL SAFETY ANALYSIS REPORT**

**FIGURE 1E-1-4216AC**

**SCHEMATIC DIAGRAM -  
ELECTRICAL PROTECTION  
LOGIC CIRCUIT, PT. 3**

**POOR ORIGINAL**