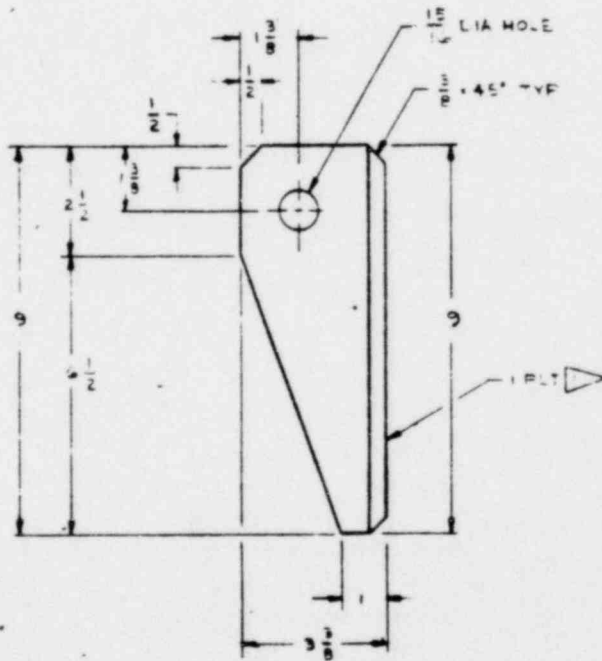
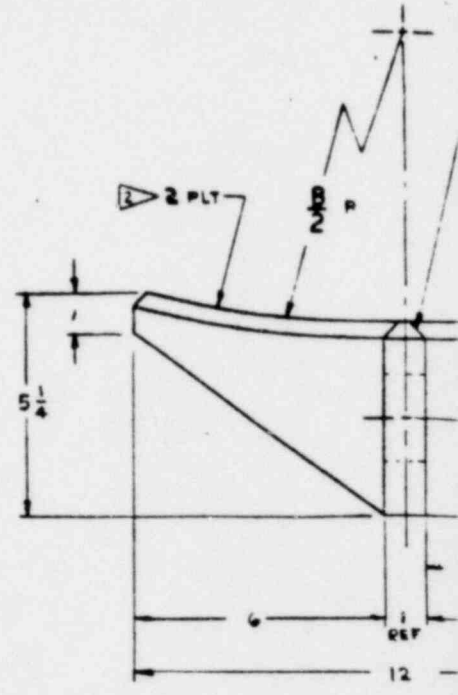
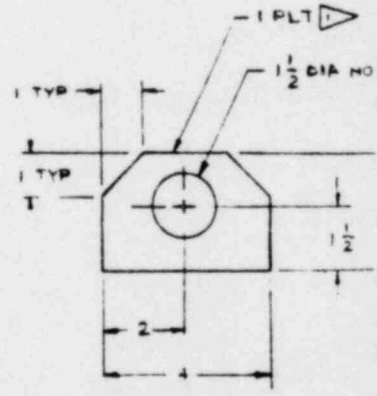


SECTION D-D  
SCALE: 1/2



DETAIL - F  
SCALE: 1/2

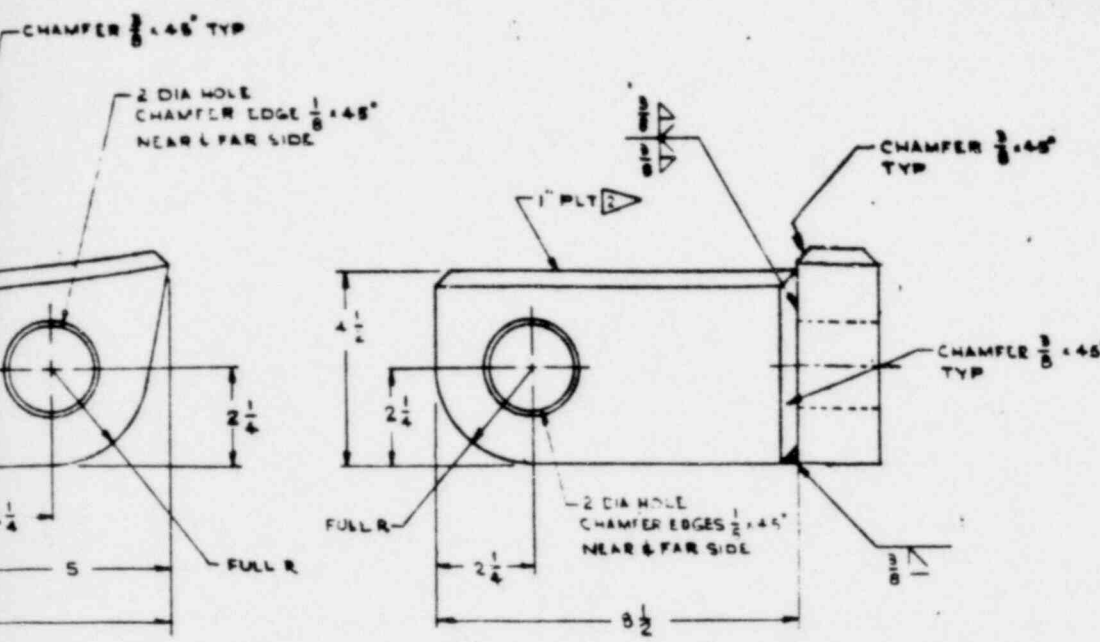


VIEW G-G  
SCALE: 1/2

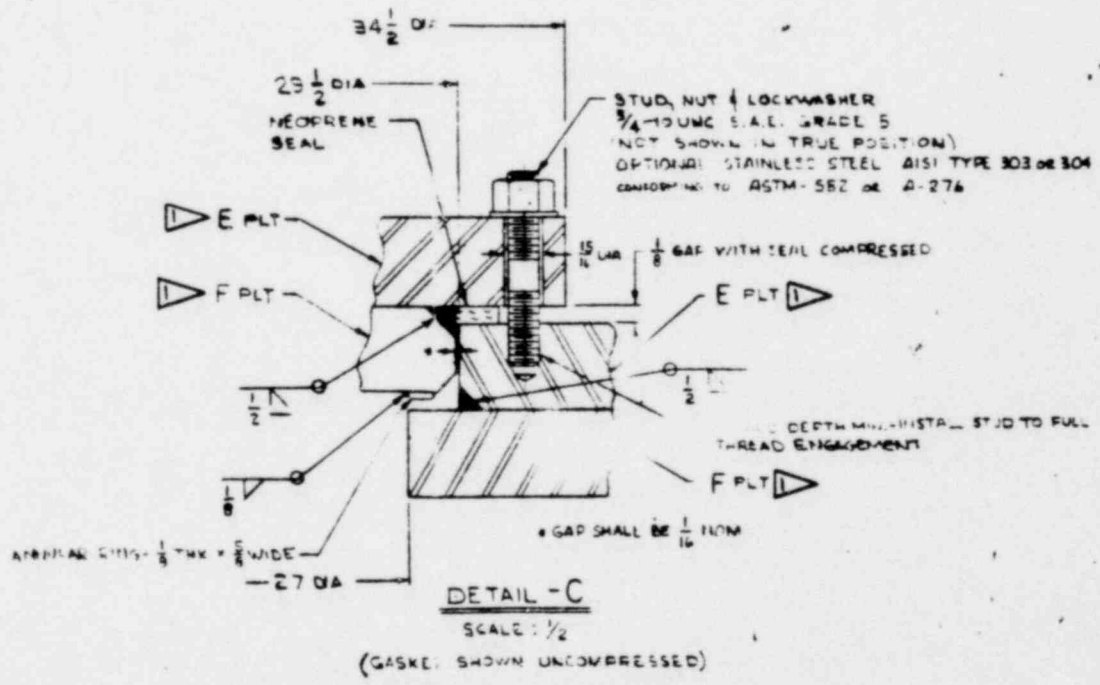
VIEW H-H  
SCALE: 1/2

NOTES: UNLESS OTHERWISE SPECIFIED

POOR ORIGINAL



DETAIL - E  
SCALE: 1/2



DETAIL - C  
SCALE: 1/2

(GASKET SHOWN UNCOMPRESSED)

POOR ORIGINAL

ASSEMBLY & QUANTITY		ITEM	PART NO	DESCRIPTION	QUANTITY
<p><b>NUCLEAR PACKAGING, INC.</b> YACOMA, WASHINGTON</p> <p>TRANSPORTATION SHIELD TYPE A MODEL "NPAC 50"</p>					
<p>UNLESS OTHERWISE SPECIFIED DIMENSIONS ARE IN INCHES TOLERANCES FRACTIONS ANGLES 3 PLACE DECIMALS 2 PLACE DECIMALS 1 PLACE DECIMALS DO NOT SCALE THIS DRAWING</p>		<p>SCALE 1/2" = 1"</p>			
<p>DATE: 12/12/80</p> <p>BY: [Signature]</p> <p>APP: [Signature]</p>		<p>REV: 1</p> <p>DESCRIPTION: X-20-201D</p>			

X-20-201D A B