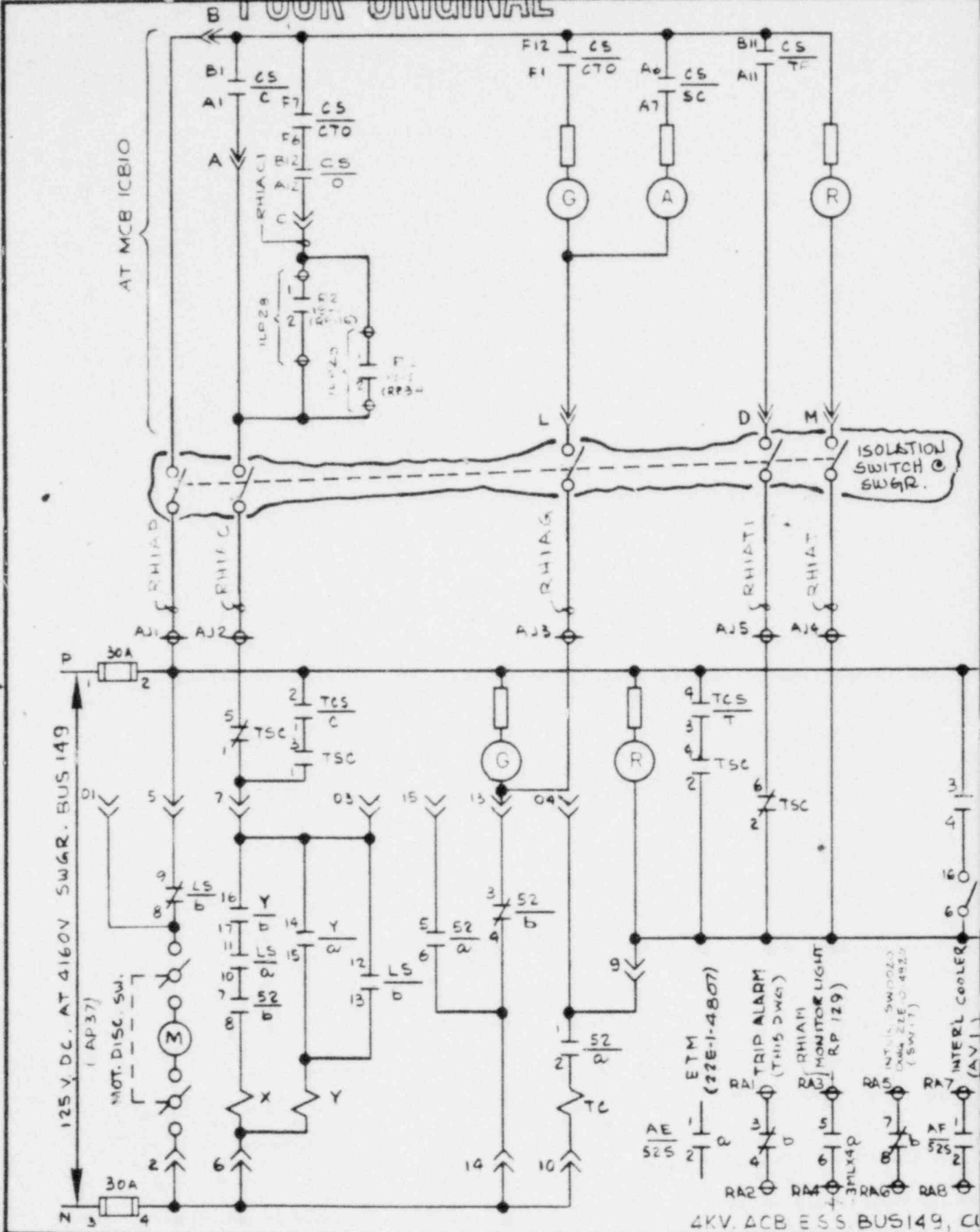


POOR ORIGINAL

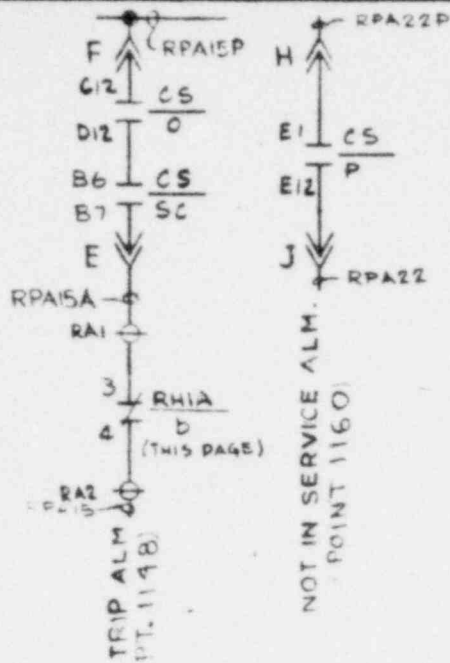


REVISIONS

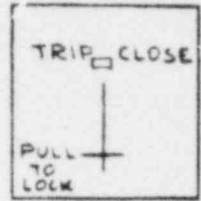
A	3-24-71	G.H.	FOR CONSTRUCTION SPEC. X-2389	E	6-22-72	G.H.	REL. RHIAC W/RE CONTACT
B	10-18-71	J.S.	ADDED TRIP SWITCH & PREFERENTIAL CONTACTS	F	6-25-72	M.H.	ADDED CONTACT AT INFLOR DEPT'S CONTACT
C	2-16-72	A.S.		G	3-30-72		REPLACED 450V/2 BY 400V/2
D	5-18-72	G.H.	REMOVED INTERL				

DRAWN
 CHECKED A.S.A.
 ENGINEER C.C.

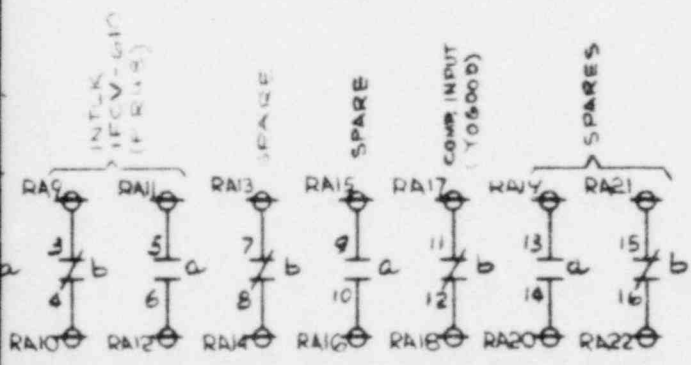
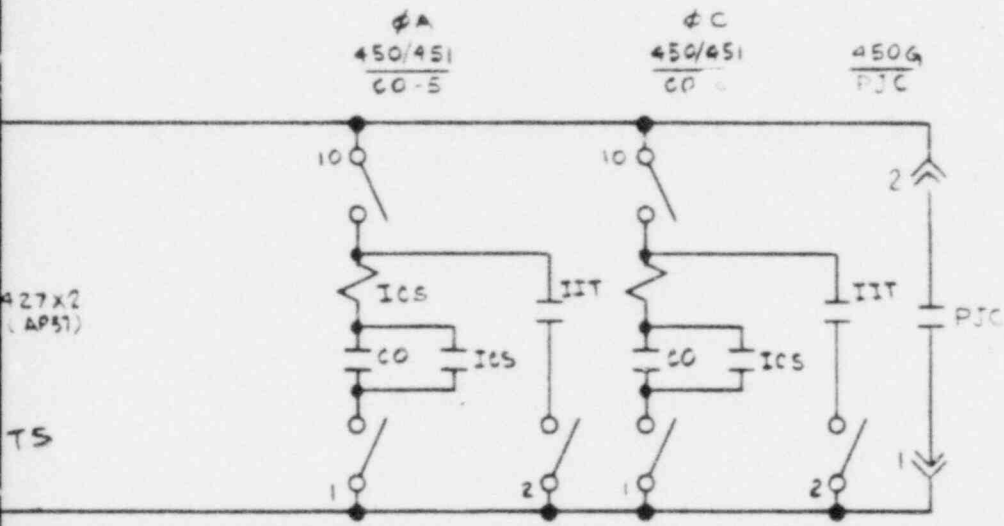
8011260245



ITEM NO III



F.V.
SEE P. RH9, DLT. D50
FOR CS DEVELOPMENT
MODULE NO. MW3-A-2



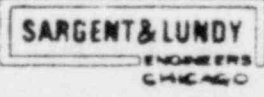
POOR ORIGINAL

PRELIMINARY

UB 8 DEV RH1A

1R4001

DATE	RESIDUAL HEAT PUMP 1A		
WILKINSON 3-12-71	SCHEMATIC DIAGRAM		
NACHEZ 3-22-71	ZION STATION		
Capetta 3-29-71	UNIT 1		
	COMMONWEALTH EDISON CO		
	CHICAGO ILLINOIS		
	JOB NO	DWG NO 22E-1-4840	
	3782		
		PAGE	RH1



ERASE WITH WATER