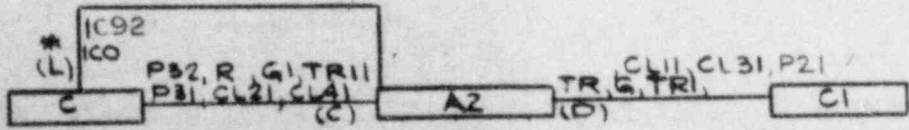
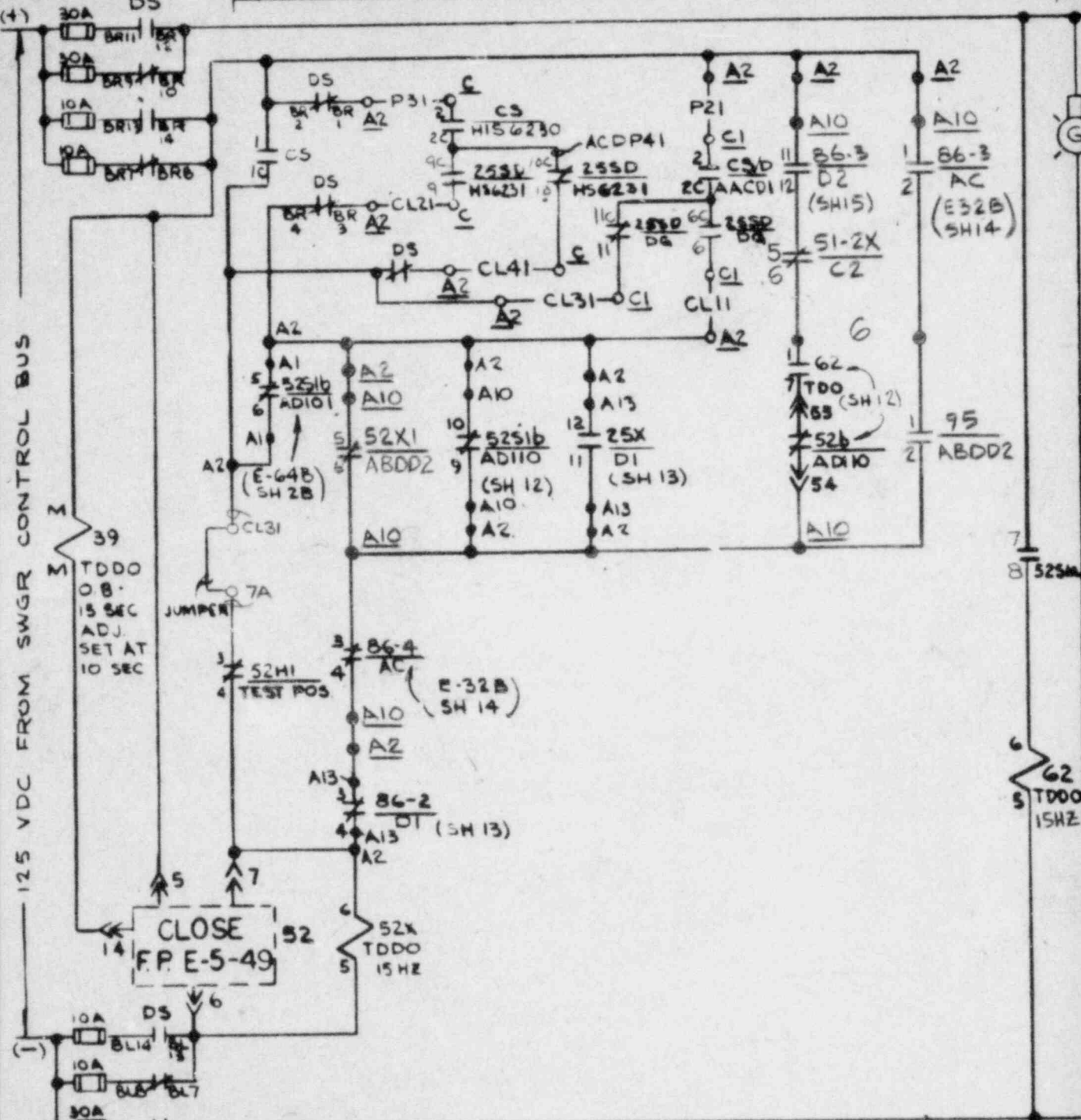


9980088008

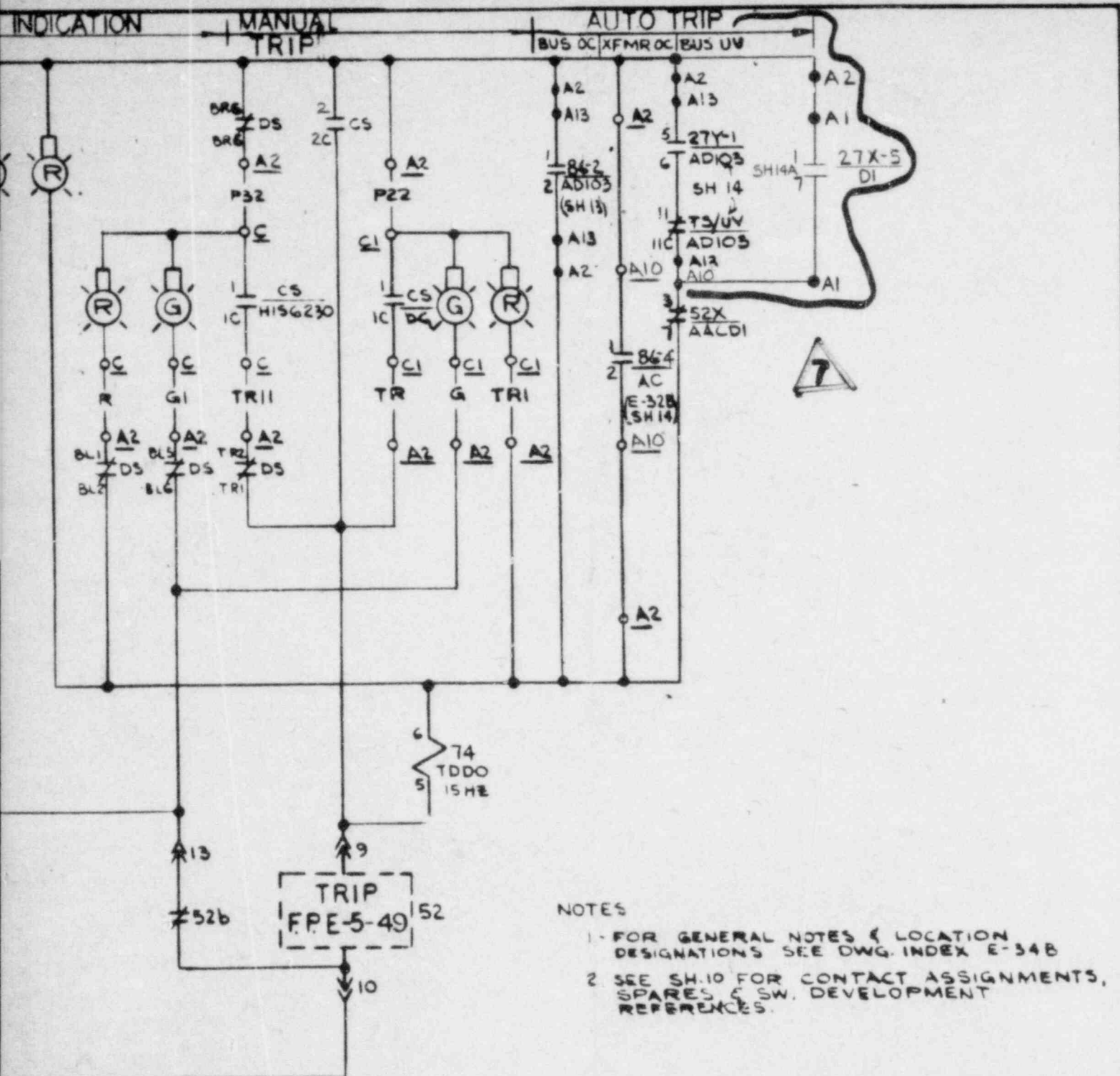
CLOSE

REV.	DESCRIPTION	DATE	DR	CHK	SUPV	CHIEF	PROJ	OWNER
6	REVISED AS NOTED	10-7-76	VA	EM	SAC		SNS	
7	INC SRN 236E	2-18-77	FLJK	GM	SAC		SNS	
0	ISSUED FOR CONSTRUCTION							



BLOCK DIAGRAM
SCHEME N° AACDI

* SEE DWG 7749 E-22 SH 2 FOR CONNECTIONS



NOTES

- 1- FOR GENERAL NOTES & LOCATION DESIGNATIONS SEE DWG. INDEX E-34B
- 2- SEE SH.10 FOR CONTACT ASSIGNMENTS, SPARES & SW. DEVELOPMENT REFERENCES.

AACD1 CHANNEL 2
SYSTEM N^o 004
REFIX AC

EQUIPMENT NUMBERS

- | | |
|------------|-------------|
| A2 - AACD1 | A9 - ABDD2 |
| C - C5715 | A10 - AD110 |
| C1 - C3616 | A23 - AD203 |
| HA - HAAC | A13 - AD103 |
| HB - HBBD | A1 - AD101 |

DAVIS-BESSE NUCLEAR POWER STATION

THE TOLEDO EDISON COMPANY
THE CLEVELAND ELECTRIC ILLUMINATING COMPANY

ELEMENTARY WIRING DIAGRAMS
4.16 KV FD BRKRS
BUS TIF XFMR AC BRKR AACD1
CONTROL

BECHTEL COMPANY



JOB NO.

7749

DRAWING NO.

E-34B SH. 9

REV.

7