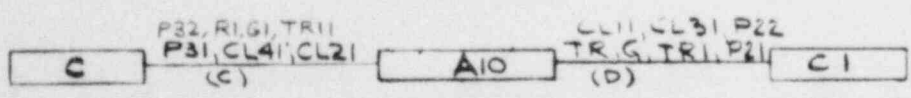
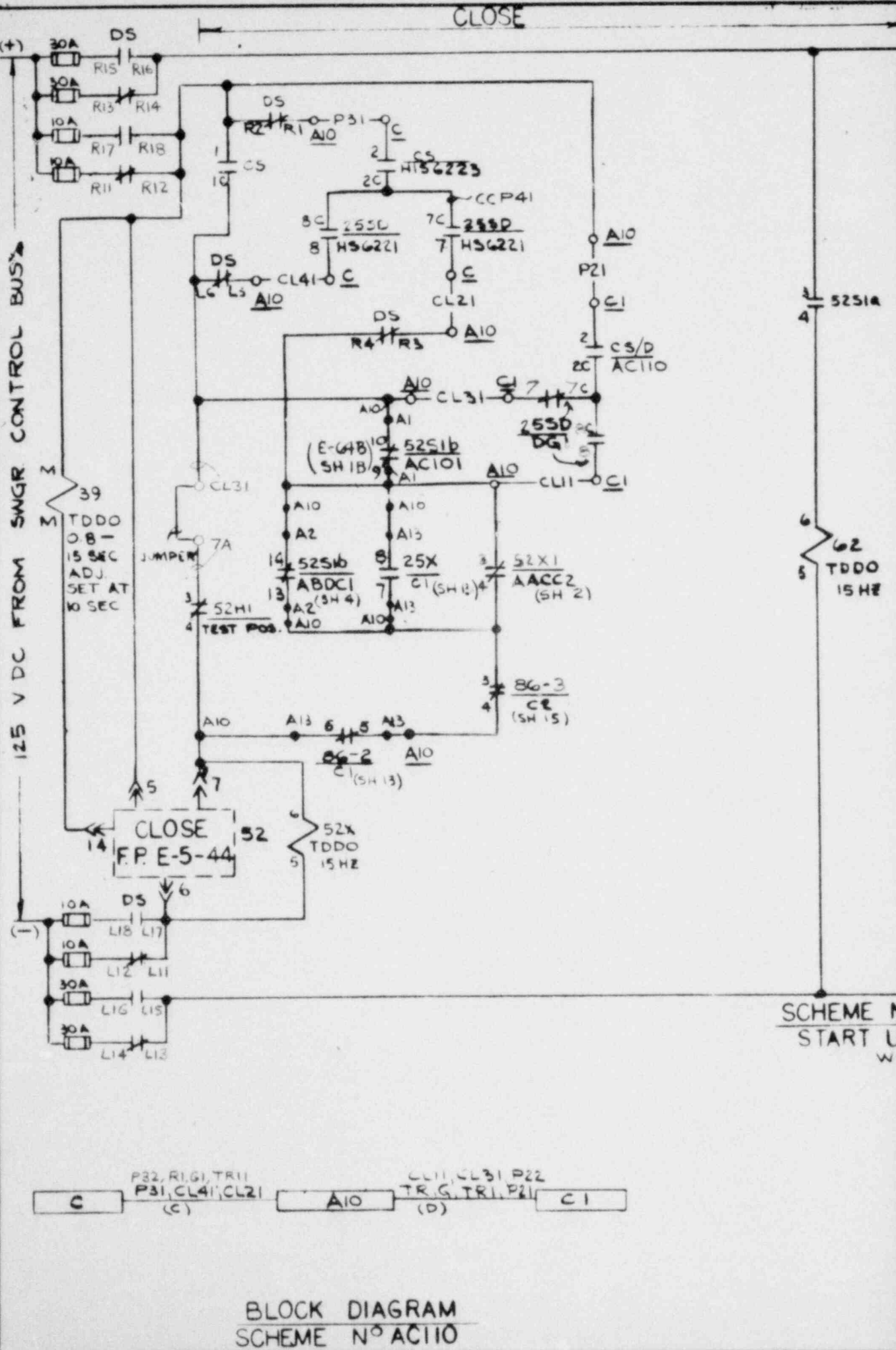
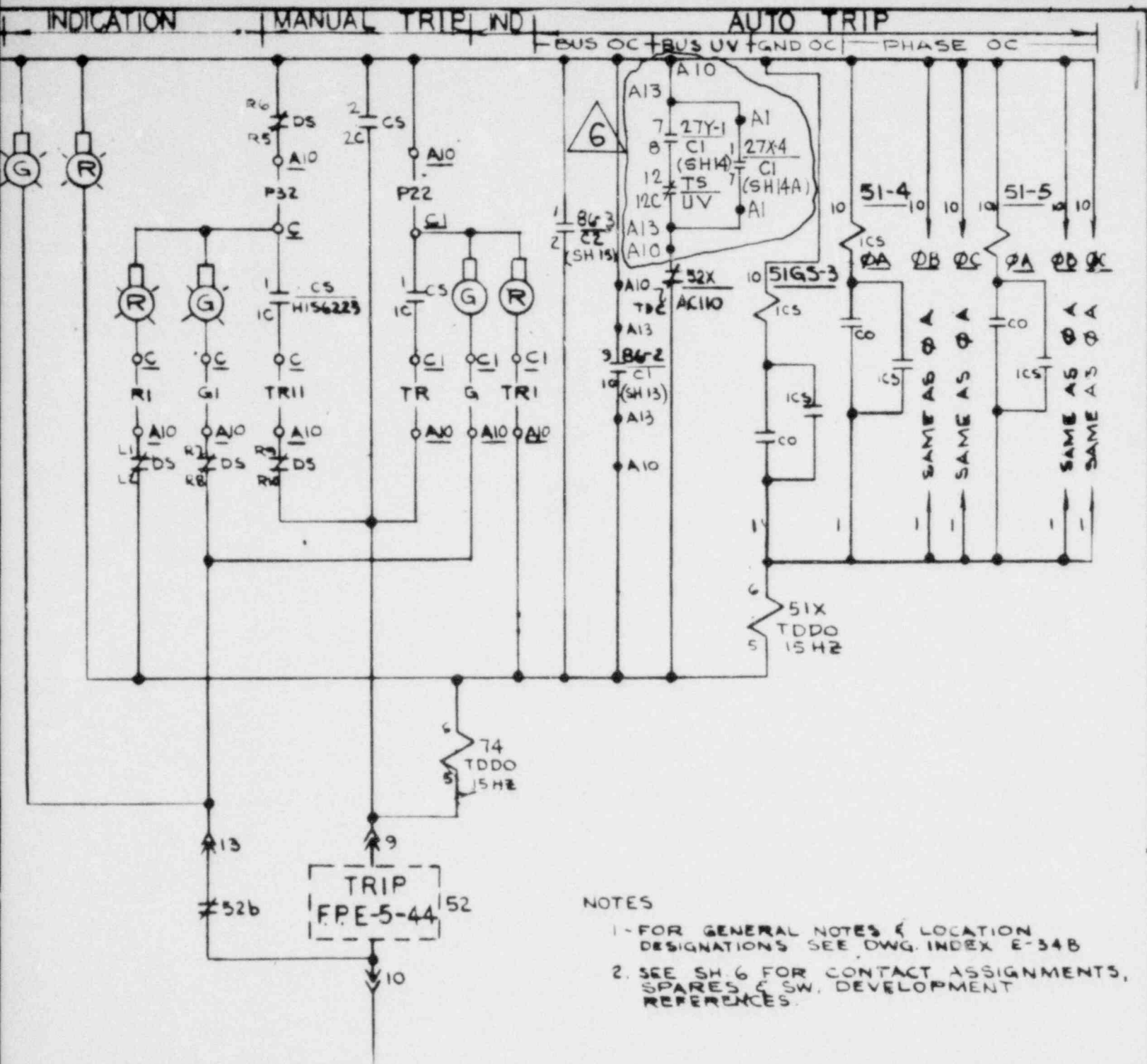


REV.	DESCRIPTION	DATE	DR	CHK	SUPV	CHIEF	PROJ	OWNER
6	INC. DCN 302B (9FRR E776)	7-18-77	MLM	SAC/MI				
5	INC SRN 236E	2-18-73	FLWK	GM				
0	ISSUED FOR CONSTRUCTION							



BLOCK DIAGRAM  
SCHEME N° AC110



NOTES

- 1- FOR GENERAL NOTES & LOCATION DESIGNATIONS SEE DWG. INDEX E-34B
2. SEE SH. 6 FOR CONTACT ASSIGNMENTS, SPARES, & SW. DEVELOPMENT REFERENCES.

° AC110 CHANNEL 1  
 P SYSTEM NO 004  
 RE. PREFIX CC

EQUIPMENT NUMBERS  
 A10-AC110  
 C - C5715  
 CI - C3615

A13-AC103  
 A1-AC101  
 A2-ABDC1

<b>DAVIS-BESSE NUCLEAR POWER STATION</b> THE TOLEDO EDISON COMPANY THE CLEVELAND ELECTRIC ILLUMINATING COMPANY			
ELEMENTARY WIRING DIAGRAMS 4.16 KV FD BRKRS BUSES C1,C2 TIE BRKR AC110 CONTROL			
BECHTEL COMPANY	JOB NO. <b>7749</b>	DRAWING NO. <b>E-34B SH. 5</b>	REV <b>G</b>

8002200861 P