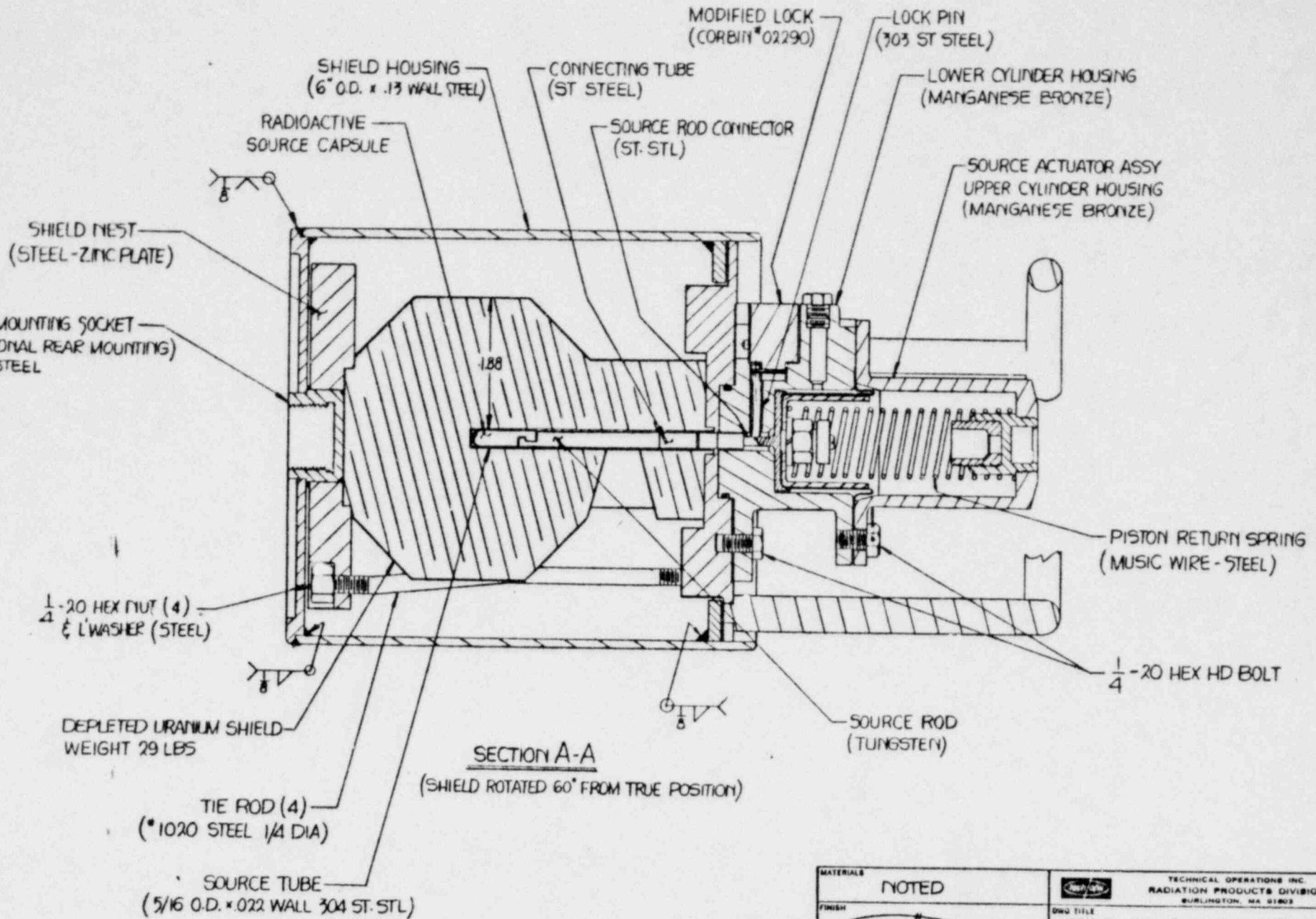


80070301
 385
 1-4f



MATERIALS		NOTED		TECHNICAL OPERATIONS INC RADIATION PRODUCTS DIVISION BURLINGTON, MA 01803	
FINISH		UNLESS OTHERWISE SPECIFIED TOLERANCES ARE		DWG TITLE MODEL 616 GAMMA RAY PROJECTOR DESCRIPTIVE ASSEMBLY	
DRAWN BY	CHECKED BY	XX	XX	CLASSIFICATION	REV
APPROVED BY	ANGLES	XX	XX	SIZE	0
	FRACTIONS			DWG. NO.	
				C	61690
				SCALE	SHEET 2 OF 2