

61690

REV. DATE DESCRIPTION

NAMEPLATE
(1/32 ALUM)

DIRECTION DECAL
(.0025 ALUM FOIL, ADHESIVE BACK)

HANDLE WELD

HOUSING SUPPORT (2)
1/8 THK STEEL

1/4" -- 20 HEX HD BOLT (5)

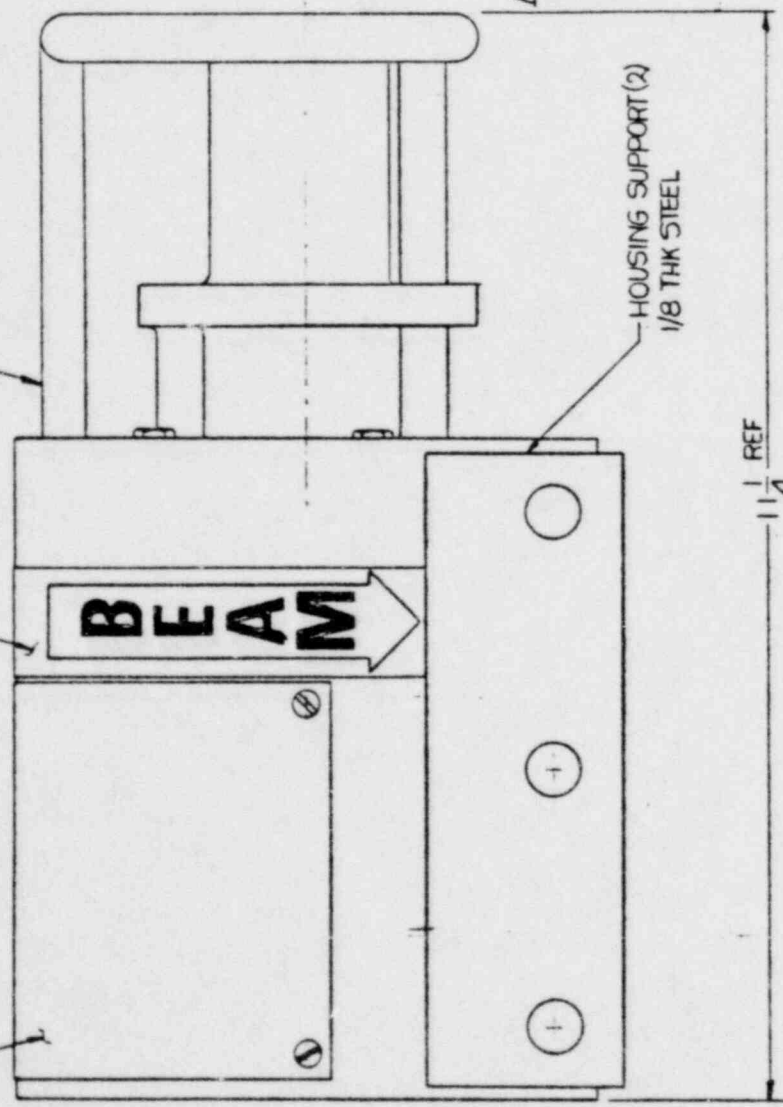
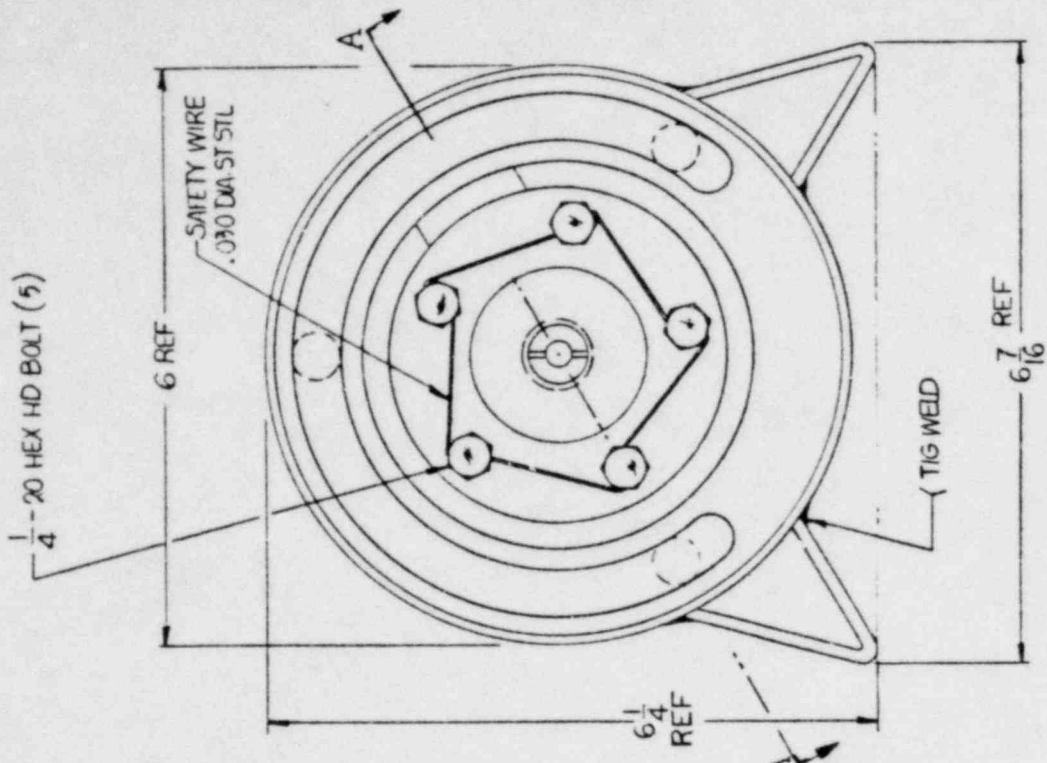
6 REF

SAFETY WIRE
.030 DIA ST STL

6 1/4 REF

7 REF
6 7/16

11 1/4 REF



TECHNICAL OPERATIONS INC.
RADIATION PRODUCTS DIVISION
BURLINGTON, MA 01803

MODEL 616 GAMMA RAY PROJECTOR
DESCRIPTIVE ASSEMBLY

CLASSIFICATION: C
SIZE: 61690
REV: 0

SCALE: 1:1
SHEET: 1 OF 2

MATERIALS: NOTED

FINISH: [Blank]

DESIGNED BY: [Signature]

CHECKED BY: [Signature]

APPROVED BY: [Signature]

DATE: [Blank]

SIZE: [Blank]

ANGLE: [Blank]

SCALE: [Blank]

3007030 384