



UNITED STATES
NUCLEAR REGULATORY COMMISSION
REGION IV
611 RYAN PLAZA DRIVE, SUITE 1000
ARLINGTON, TEXAS 76012

CENTRAL FILES
PDR:HQ
LPDR
~~LIC~~
NSIC

September 12, 1979

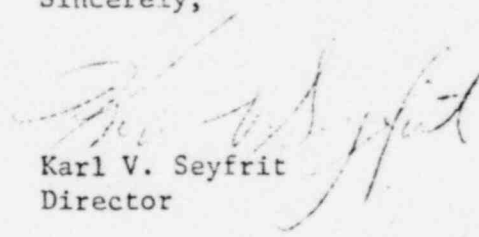
Docket No. 50-267

Public Service Company of Colorado
ATTN: Mr. C. K. Millen
Senior Vice President
P. O. Box 840
Denver, Colorado 80201

Gentlemen:

Enclosed is IE Information Notice No. 79-21, "Transportation and Commercial Burial of Radioactive Material," which provides information on packaging and disposal of radioactive material.

Sincerely,


Karl V. Seyfrit
Director

Enclosures:

1. IE Information Notice
No. 79-21
2. List of Information
Notices Issued in
Last Six Months

cc: D. W. Warembourg, Nuclear Production
Manager
Fort St. Vrain Nuclear Station
P. O. Box 368
Platteville, Colorado 80651

L. Brey, Manager, Quality Assurance

7909260042

1016 039

UNITED STATES
NUCLEAR REGULATORY COMMISSION
OFFICE OF INSPECTION AND ENFORCEMENT
WASHINGTON, D.C. 20555

IE Information Notice No. 79-21
September 7, 1979
Page 1 of 2

TRANSPORTATION AND COMMERCIAL BURIAL OF RADIOACTIVE MATERIAL

On July 10, 1979, the Governors of the Agreement States of Nevada, South Carolina, and Washington notified NRC Chairman Hendrie of the serious and repeated disregard for the rules governing the shipments of low-level radioactive wastes to their burial facilities. The problems causing the Governors' concern may be summarized as contaminated packages; improper loading of packages which results in unnecessary radiation exposure; packages containing liquids when liquids or free-standing water are not authorized to be buried; leaking packages; improper labeling of packages; and improper paperwork for shipments.

Recently, you should have received either IE Bulletin No. 79-19 or 79-20 on this subject. The enclosures to this Notice provide information regarding the regulatory requirements for the packaging, transportation and disposal of radioactive material. The requirements for packaging and transport referenced herein are applicable to shipments of all radioactive material.

The enclosed summary of radioactive waste burial criteria defines the current burial-site license and State requirements on waste form and packaging. A summary of the requirements for transportation is in the enclosed DOT publication, "A Review of the DOT Regulations for Transportation of Radioactive Materials." The enclosures are intended only as a convenient reference; they are neither a substitute for the actual regulations nor a copy of the burial site license or other burial site documents. The DOT regulatory requirements can be found in 49 CFR Parts 170-179 (Oct. 1, 1977). The NRC requirements are in 10 CFR Part 71.

To conduct your waste disposal operations properly you must comply with NRC and DOT requirements for packaging and transportation, and the waste packaged for eventual disposal at any of the three operating waste-burial sites must be in a form authorized in the particular burial-site license and State requirements. To assure that the latter requirements are met, you should coordinate your waste disposal activities with the waste collection companies and/or the waste burial site operators. The sites receiving wastes for burial are operated either by the Nuclear Engineering Co., Inc. (502-426-7160), or Chem-Nuclear Systems, Inc. (206-827-0711).

Questions about licensing requirements
NRC's Transportation Branch (301-427-7900)

DUPLICATE DOCUMENT

79 Entire document previously entered
into system under:

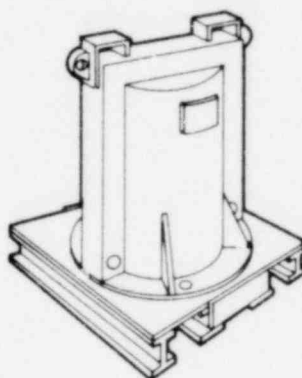
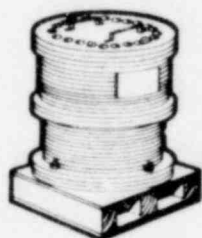
ANO 7908220103

No. of pages: 6

1016 040



A Review of The Department of Transportation (DOT) Regulations for Transportation of Radioactive Materials



DUPLICATE DOCUMENT

Entire document previously entered
into system under:

ANO 7909240302

No. of pages: 50

7909240302

October 1971 **PO16 041**