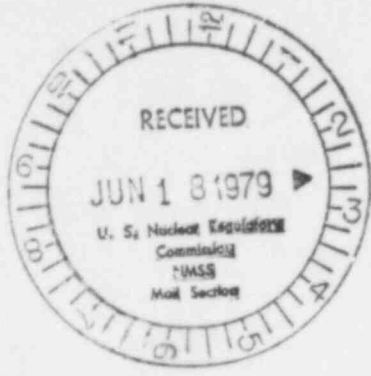


PDR

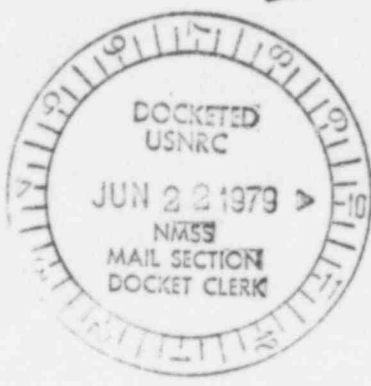


Tech/Ops

Radiation Products Division  
40 South Avenue  
Burlington, Massachusetts 01803  
Telephone (617) 272-2000



71-9033



15 June 1979

Mr. Charles E. MacDonald, Chief  
Transportation Branch  
Division of Fuel Cycle and Material Safety  
United States Nuclear Regulatory Commission  
Washington, DC 20555

Dear Mr. MacDonald:

We request renewal of USNRC Certificate of Compliance No. 9033 issued for our Models 660 and 660E Type B Packages. As part of this renewal, we request that section 5.(a)(3) be changed to reference drawings 66025 sheets 1, 2 and 3 (enclosed) in lieu of the drawings presently referenced.

In accordance with 10CFR170.31, Item 11.E, we are enclosing a check for \$150 for the renewal fee.

We trust that this request satisfies your requirements for renewal of this certificate. An IAEA Certificate of Competent Authority and a Canadian Endorsement Certificate have been issued for this package, and these certificates carry the same expiration date as the USNRC Certificate. Since renewal of these certificates can only be issued after renewal of the USNRC Certificate, we ask that you act upon our request as soon as practicable.

We thank you for your consideration.

Sincerely,

*John J. Munro III*  
John J. Munro III  
Technical Director

JJM/fb  
Encl.

424 163

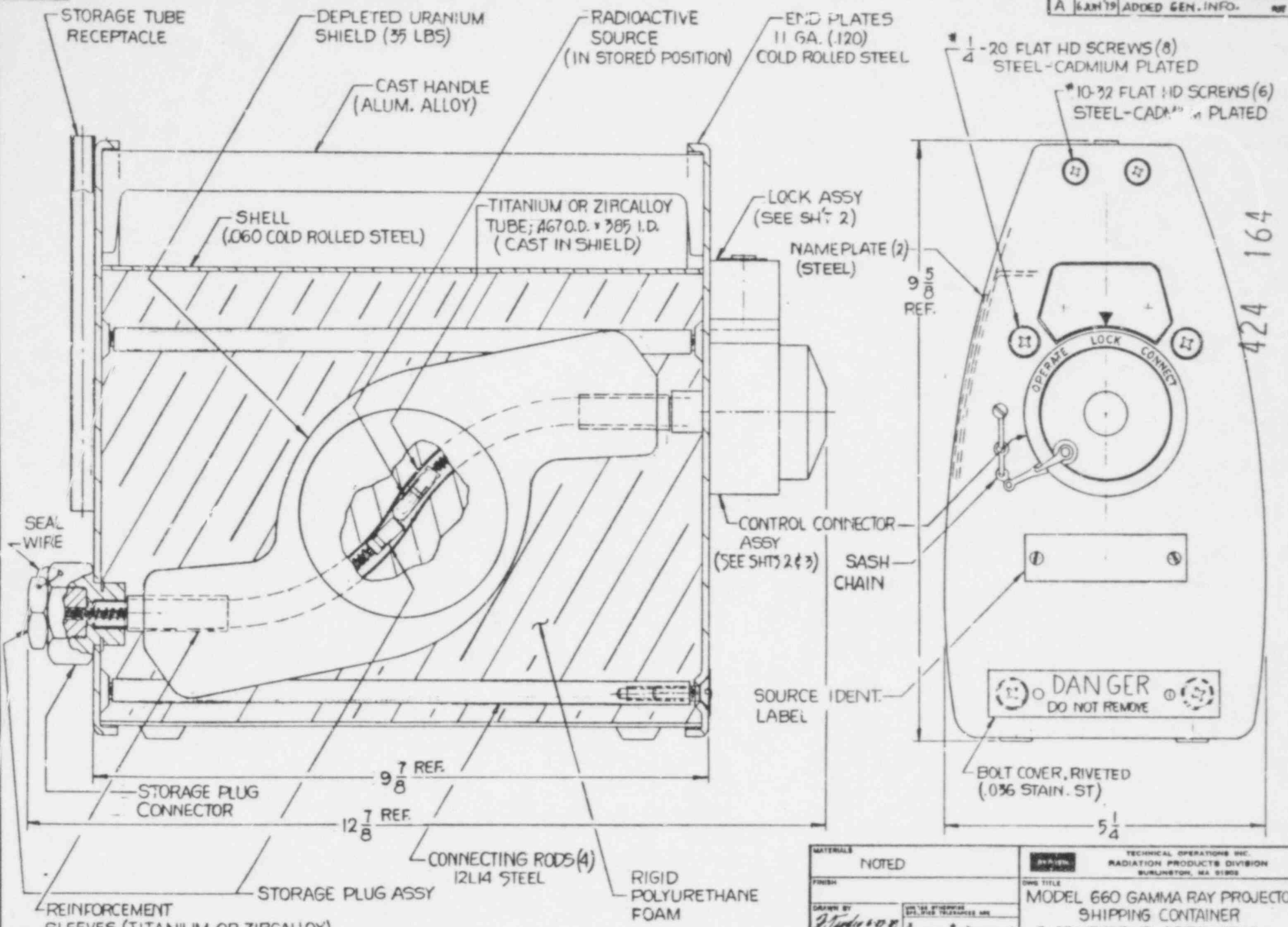
(5)

7907260960

13190

C66025

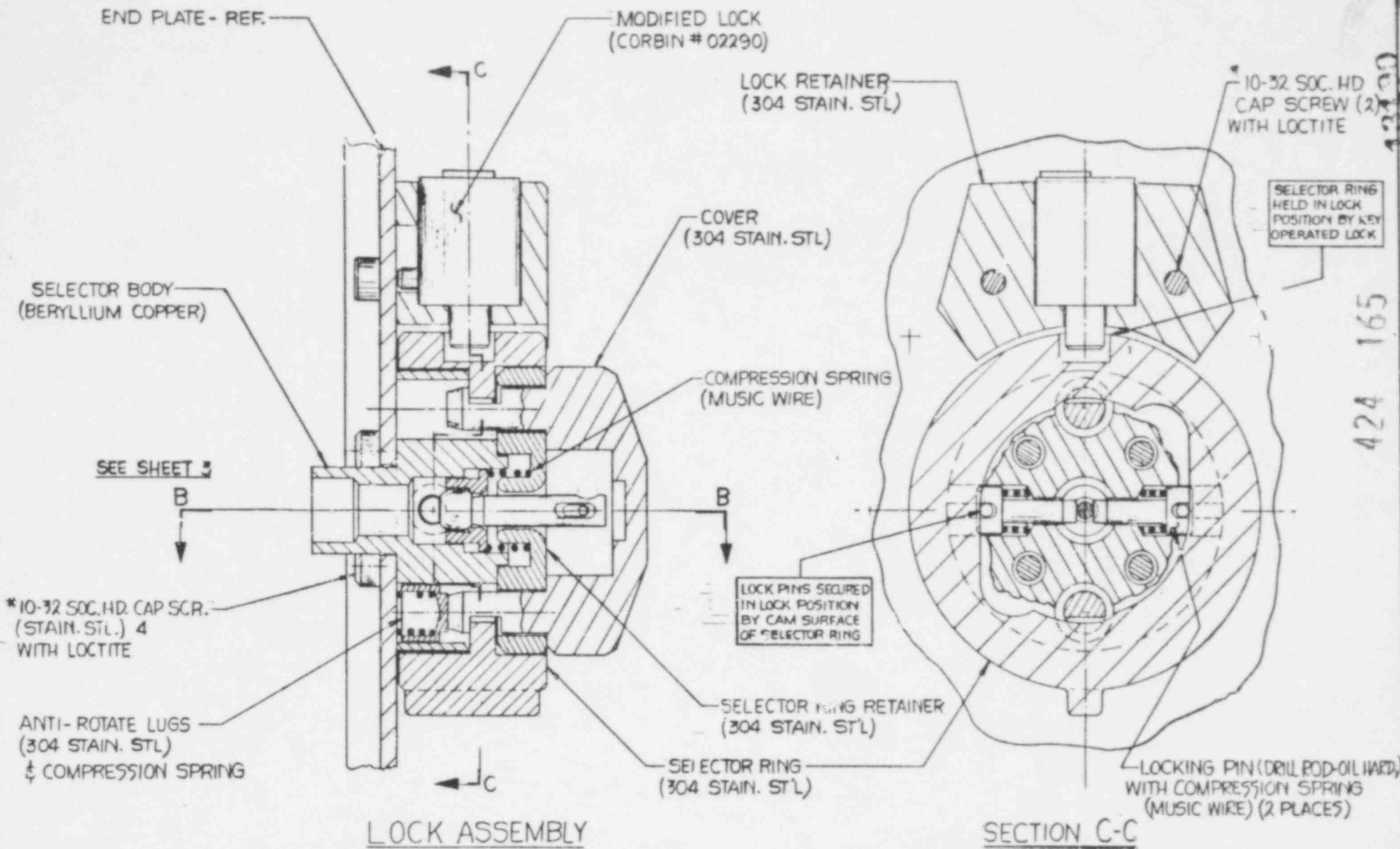
REV.	DATE	DESCRIPTION
A	6 JAN 79	ADDED GEN. INFO.



TOTAL WEIGHT - 48 LBS

13100

MATERIALS NOTED		TECHNICAL OPERATIONS INC. RADIATION PRODUCTS DIVISION BURLINGTON, MA 01803	
FINISH		DWS TITLE	
DRAWN BY <i>[Signature]</i>		MODEL 660 GAMMA RAY PROJECTOR SHIPPING CONTAINER DESCRIPTIVE ASSEMBLY	
APPROVED BY	CLASSIFICATION	SIZE	DWS NO.
	C		66025
	SCALE	SHEET 1 OF 3	

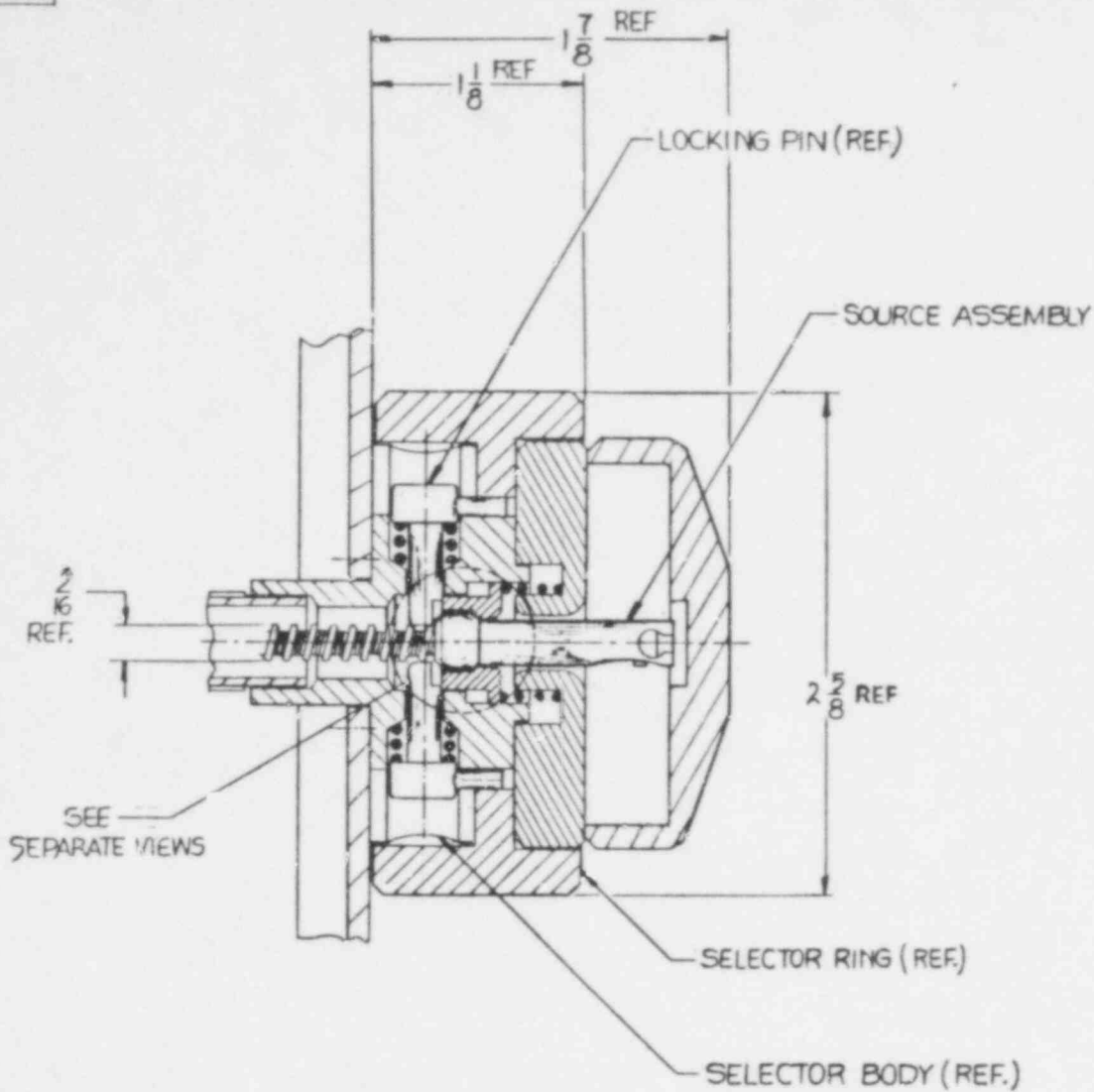


LOCK ASSEMBLY

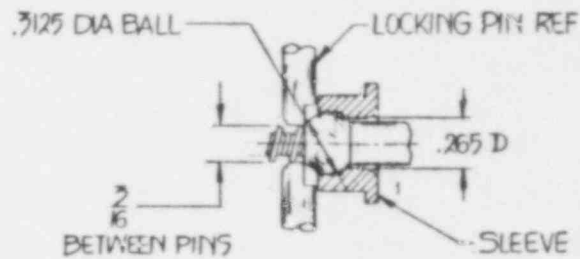
SECTION C-C

424 165

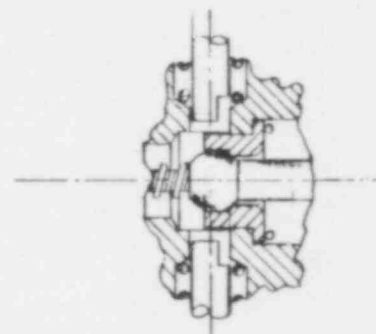
MATERIALS NOTED		TECHNICAL OPERATIONS INC. RADIATION PRODUCTS DIVISION BURLINGTON, MA 01808	
FINISH		DWG TITLE	MODEL 660 GAMMA RAY PROJECTOR SHIPPING CONTAINER DESCRIPTIVE ASSEMBLY
DRAWN BY <i>D. Murphy 6-27-78</i>	UNLESS OTHERWISE SPECIFIED DIMENSIONS ARE	CLASSIFICATION	C
CHECKED BY		SIZE	66025
APPROVED BY		DWG NO.	66025
		SCALE	2:1
		SHEET	2 OF 8



SECTION B-B



LOCKED POSITION



UNLOCKED POSITION

424 166

MATERIALS		NOTED		TECHNICAL OPERATIONS INC. RADIATION PRODUCTS DIVISION BURLINGTON, MA 01803	
FINISH		DRAWN BY		DWG TITLE	
CHECKED BY		CHECKED BY		MODEL 660 GAMMA RAY PROJECTOR	
APPROVED BY		CLASSIFICATION		SHIPPING CONTAINER	
		SCALE		DESCRIPTIVE ASSEMBLY	
		SHEET		DWG NO.	
		3 OF 3		C 66025	
				REV	
				A	

PDR

DATE 6/22/79  
DOCKET NO. 71-9033

NRC PUBLIC DOCUMENT ROOM AND OTHERS

We will furnish the following document (s) when additional copies are made available:

Drawing # 66025, size C, sheets 173  
Rev. A. Rec'd w/lt. dtd. 66/15/79  
Control # 13190