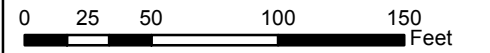


- Building Outline
- Survey Unit 1-F
- Survey Unit 1-W1
- Survey Unit 1-W2
- Survey Unit 2-F
- Survey Unit 2-W
- Survey Unit 3-F
- Survey Unit 3-W1
- Survey Unit 3-W2
- Survey Unit 3-W3
- Survey Unit 4-F1
- Survey Unit 4-F2
- Survey Unit 4-W1
- Survey Unit 4-W2
- Survey Unit 4-W3
- Survey Unit 5-F
- Survey Unit 5-W
- Survey Unit 6-F1
- Survey Unit 6-W1
- Survey Unit 6-F2
- Survey Unit 6-W2
- Survey Unit 6-FW1
- Survey Unit 6-FW2



**UTILITY TRENCH  
SURVEY UNITS**

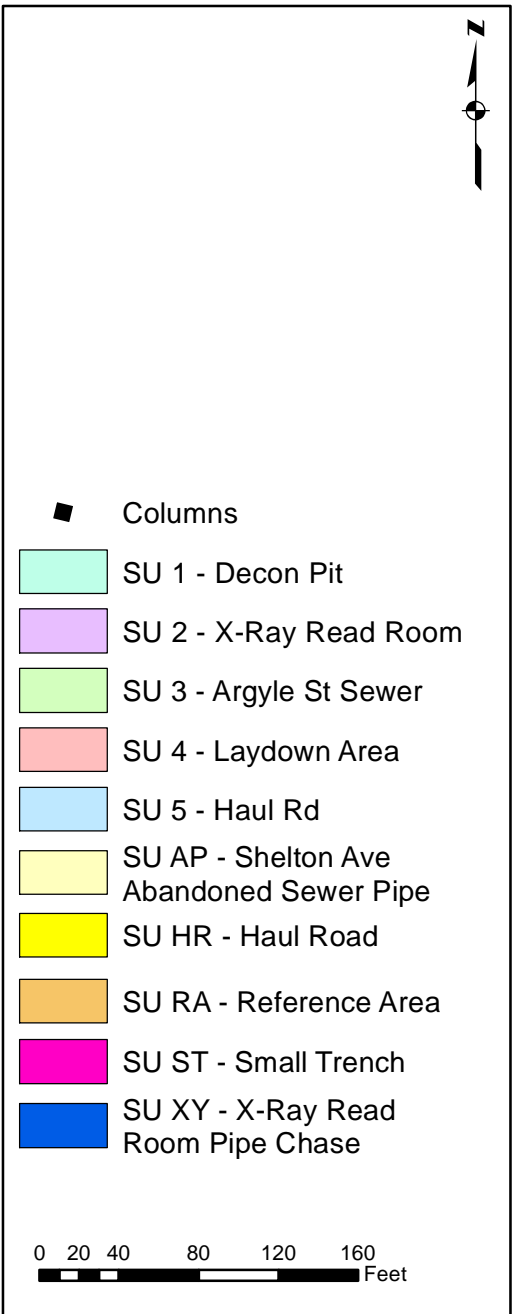
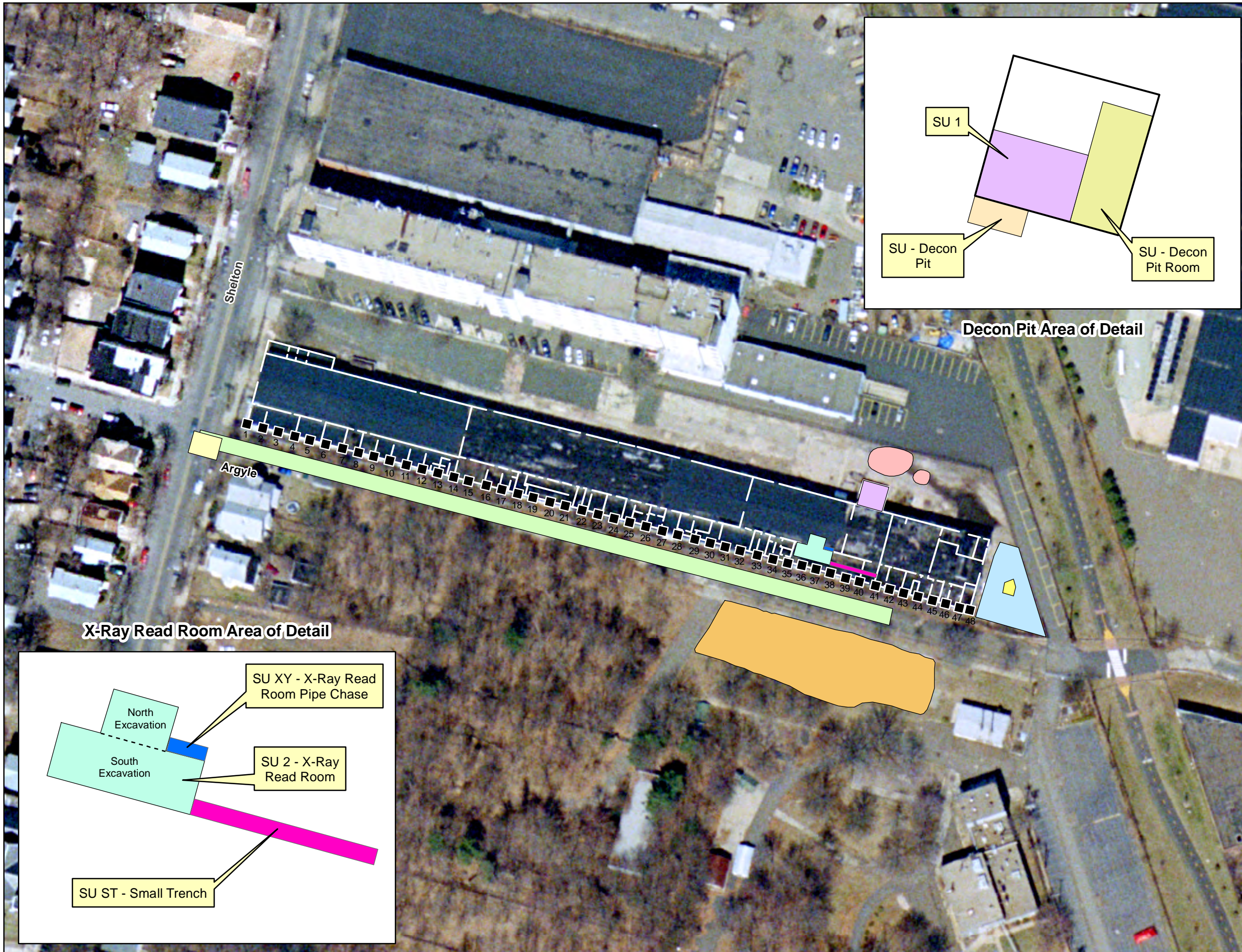
**Former UNC Facility  
New Haven  
Connecticut**

Date: Sept 2012  
 Project #: New Haven  
 File Name: Figure  
 Prepared By: K. Wheatley

**Figure 4-1**



Note: The width of the building is not to scale and is exaggerated to approx. 130 feet to allow Survey Unit detail inside building structure; actual building width approx. 90 feet. Column 17/18 Lateral Utility Trench is not shown as attached to the North and South Lateral Trenches to allow wall Survey Details; Lateral Utility Trench actual length is 80 feet as shown.

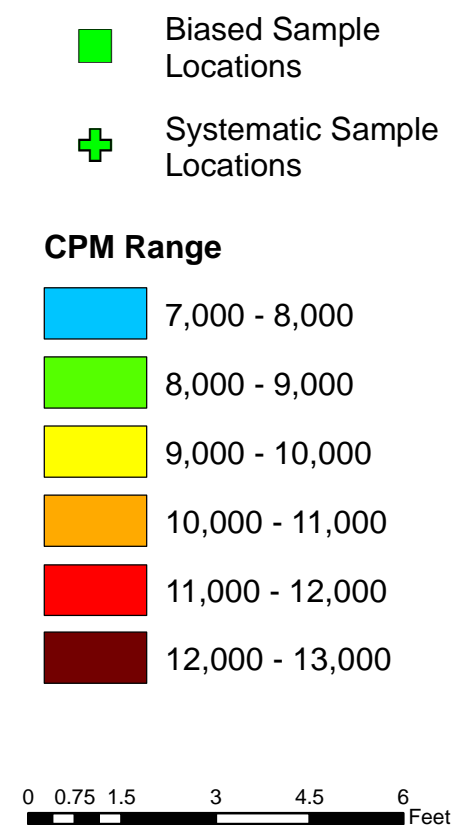
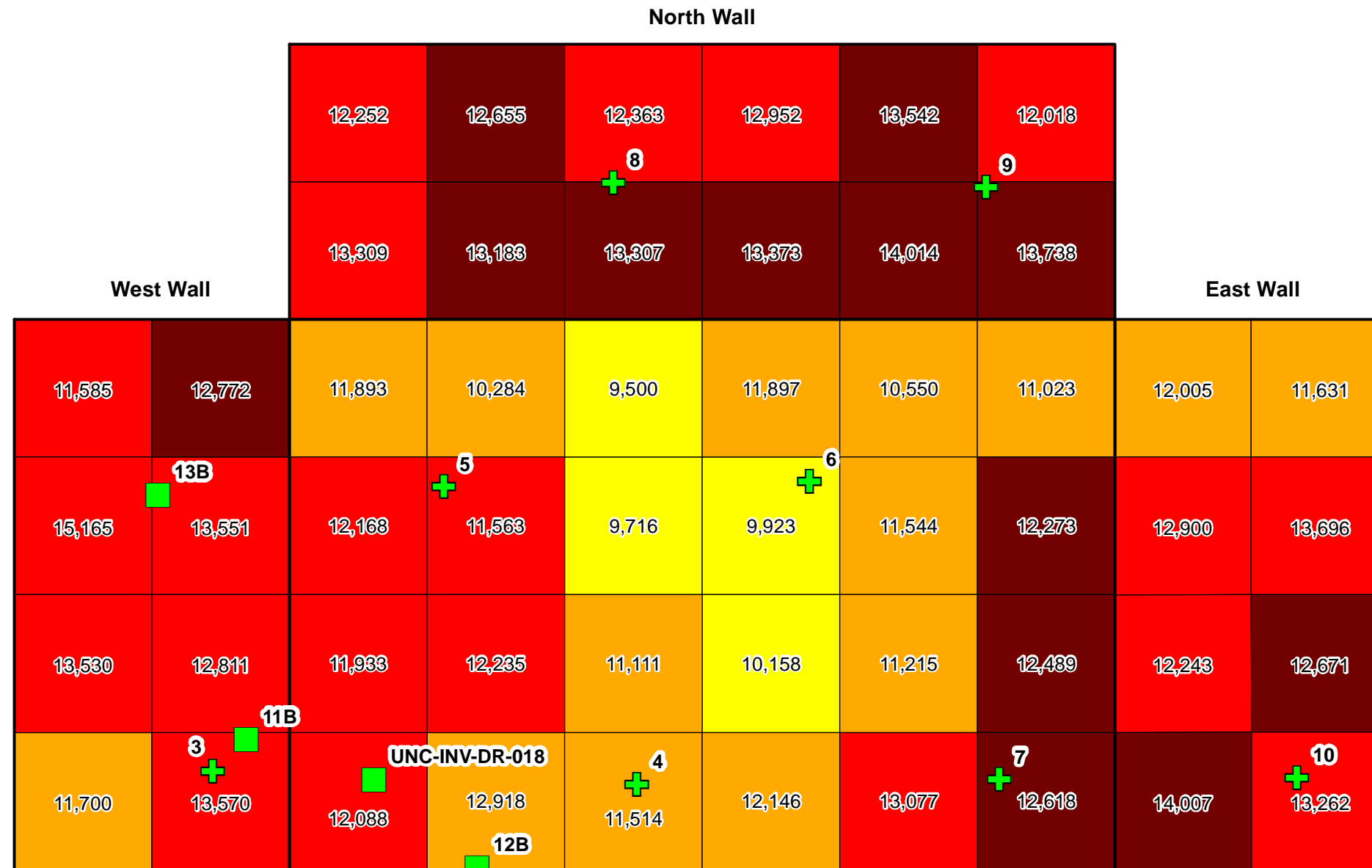


**NON-UTILITY  
TRENCH SURVEY UNITS**

**Former UNC Facility  
New Haven  
Connecticut**

Date: Sept 2012  
 Project #: New Haven  
 File Name: Figure  
 Prepared By: K. Wheatley

**Figure 4-2**



**Notes :**

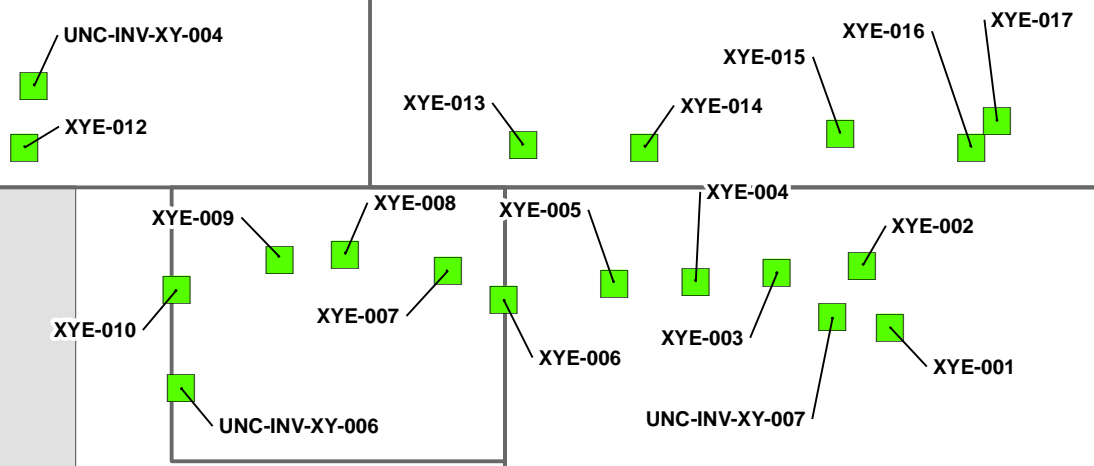
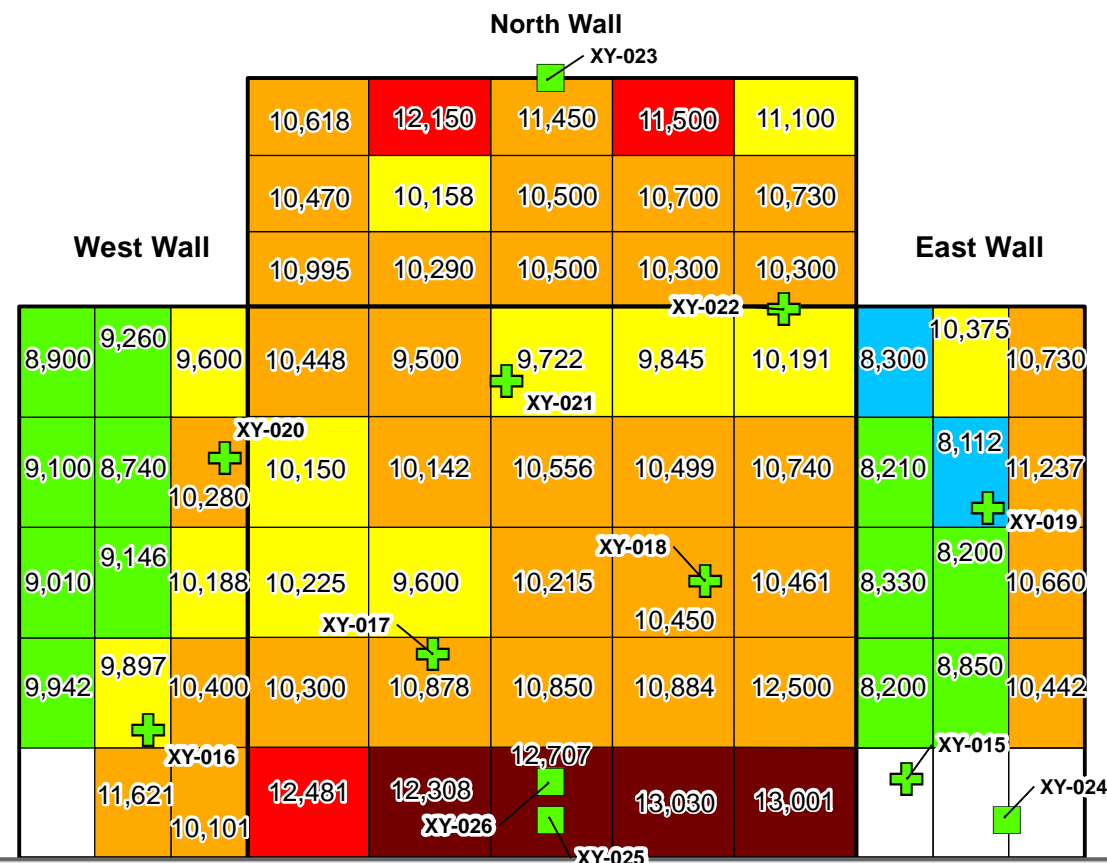
1. The survey grids are 3 ft x 3ft
2. The labels represent the maximum CPM in each grid
3. The color code represents the average CPM
4. GWS was not performed on the South Wall because it is concrete
5. Biased Sample 12B collected from soil sidewall below foundation wall
6. Sample IDs have been shortened in this figure and do not show the full sample ID which begins with UNC-FSS-DR-\_\_

**SURVEY UNIT 1  
DECON. PIT GAMMA  
WALKOVER SURVEY  
AND SOIL SAMPLE LOCATIONS**

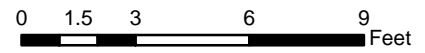
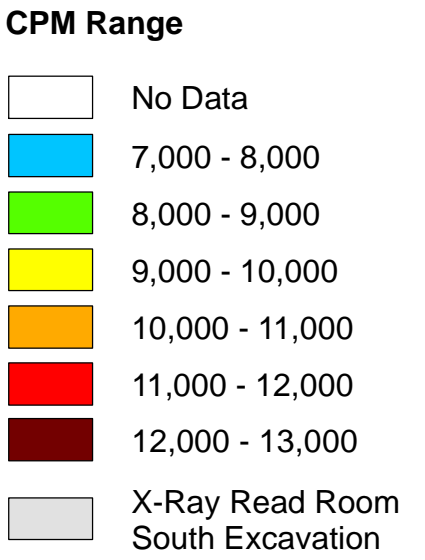
**Former UNC Facility  
New Haven  
Connecticut**

Date: Sept 2012  
Project #: New Haven  
File Name: Figure  
Prepared By: K. Wheatley

**Figure 6-1**



- Biased Sample Locations
- + Systematic Sample Locations



**SURVEY UNIT 2  
X-RAY READ ROOM  
NORTH EXCAVATION  
GAMMA WALKOVER SURVEY  
AND SOIL SAMPLE LOCATIONS**

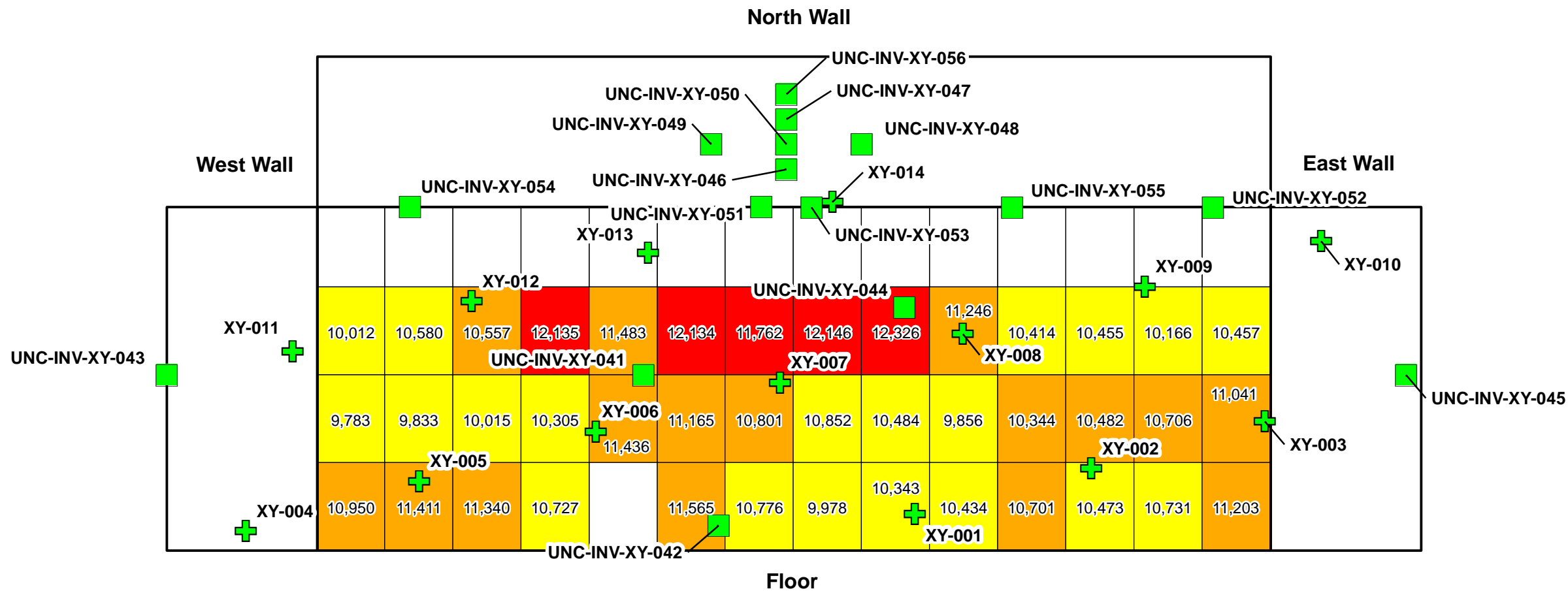
**Former UNC Facility  
New Haven  
Connecticut**

**Notes :**

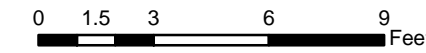
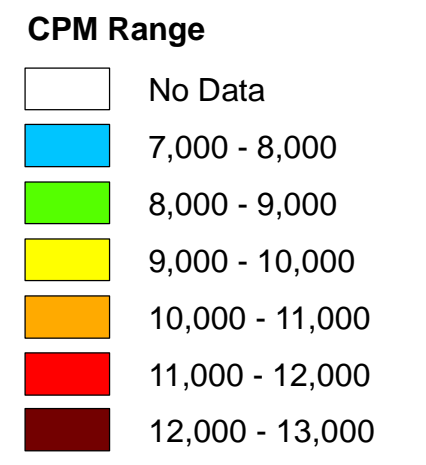
1. The survey grids are approx. 3 ft x 3ft
2. The labels represent the maximum CPM in each grid
3. The color code represents the average CPM
4. GWS was not performed on the South Wall because it is concrete
5. Sample IDs beginning with XY-\_\_ or XYE-\_\_ have been shortened in this figure and do not show the full sample ID which begins with UNC-FSS-\_\_-\_\_

Date: Sept 2012  
Project #: New Haven  
File Name: Figure  
Prepared By: K. Wheatley

**Figure 6-2**



- Biased Sample Locations
- + Systematic Sample Locations



**SURVEY UNIT 2  
X-RAY READ ROOM  
SOUTH EXCAVATION  
GAMMA WALKOVER SURVEY  
AND SAMPLE LOCATIONS**

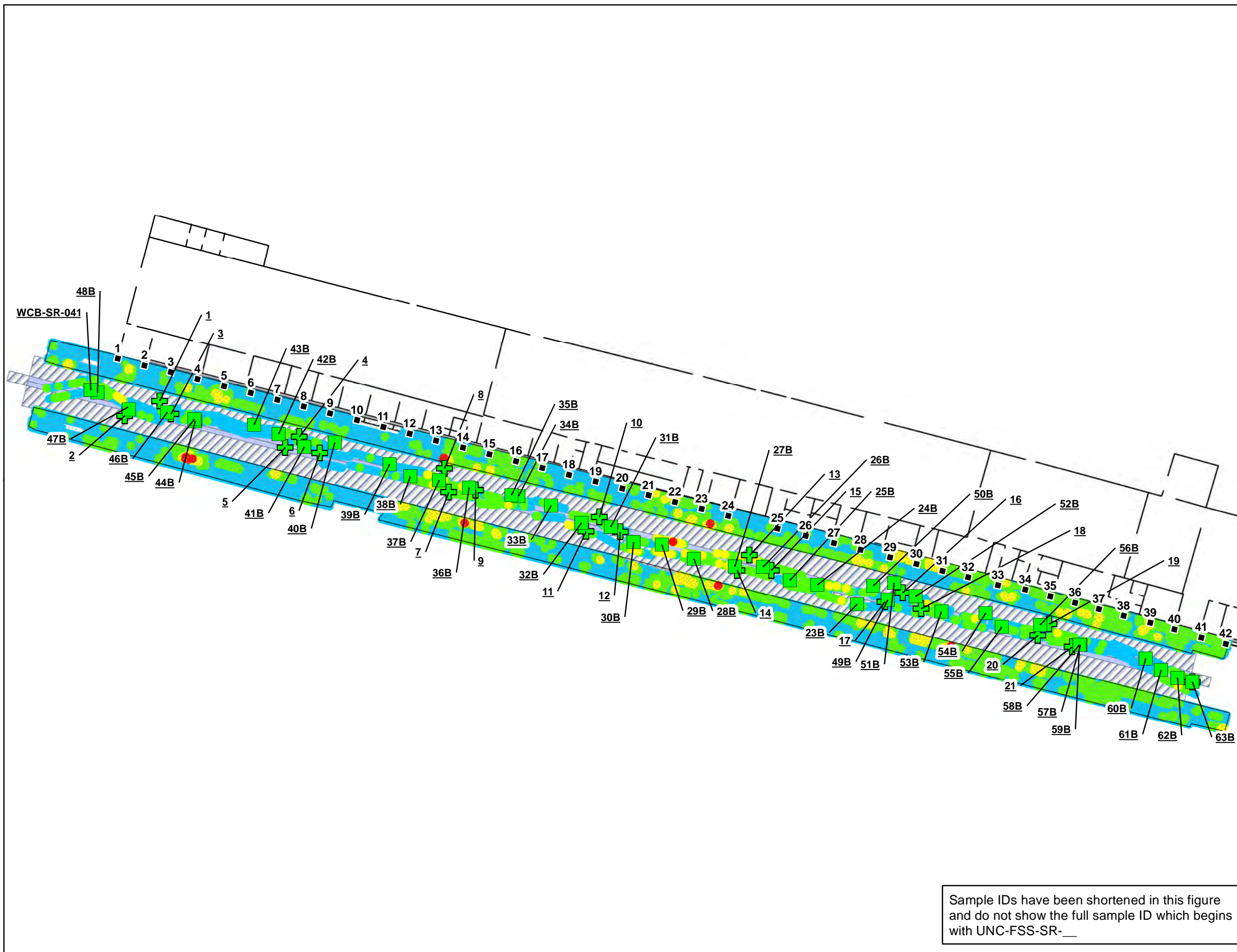
**Former UNC Facility  
New Haven  
Connecticut**

Date: Sept 2012  
Project #: New Haven  
File Name: Figure  
Prepared By: K. Wheatley

**Figure 6-3**

**Notes :**  
 1. The survey grids are approx. 3 ft x 3ft  
 2. The labels represent the maximum CPM in each grid  
 3. The color code represents the average CPM  
 4. GWS was not performed on the South Wall because it is concrete  
 5. Sample IDs beginning with XY-\_\_ or XYE-\_\_ have been shortened in this figure and do not show the full sample ID which begins with UNC-FSS-\_\_-\_\_





■ Biased Sample Locations  
+ Systematic Sample Locations

**Z Score**

- <1
- 1-2
- 2-3
- >3

0 15 30 60 90 Feet

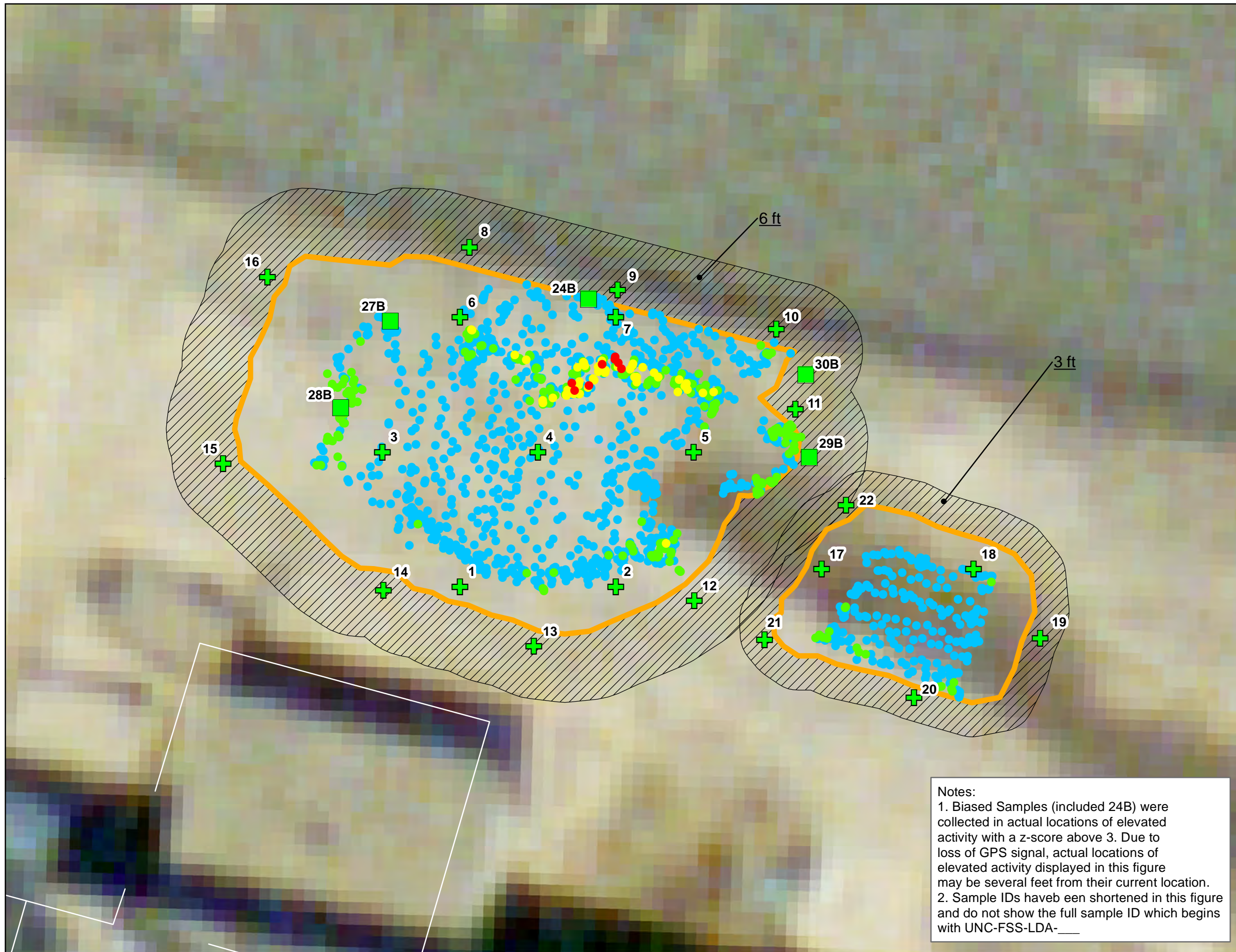
**SURVEY UNIT 3  
ARGYLE STREET GAMMA  
WALKOVER SURVEY AND  
SOIL SAMPLE LOCATIONS**

**Former UNC Facility  
New Haven  
Connecticut**

Date: Sept 2012  
Project #: New Haven  
File Name: Figure  
Prepared By: K. Wheatley

**Figure 6-4**

Sample IDs have been shortened in this figure and do not show the full sample ID which begins with UNC-FSS-SR-\_\_



Notes:  
 1. Biased Samples (included 24B) were collected in actual locations of elevated activity with a z-score above 3. Due to loss of GPS signal, actual locations of elevated activity displayed in this figure may be several feet from their current location.  
 2. Sample IDs have been shortened in this figure and do not show the full sample ID which begins with UNC-FSS-LDA-\_\_\_\_

■ Biased Sample Locations  
+ Systematic Sample Locations

**Z Score**

- <1
- 1-2
- 2-3
- >3

Excavation Sidewall

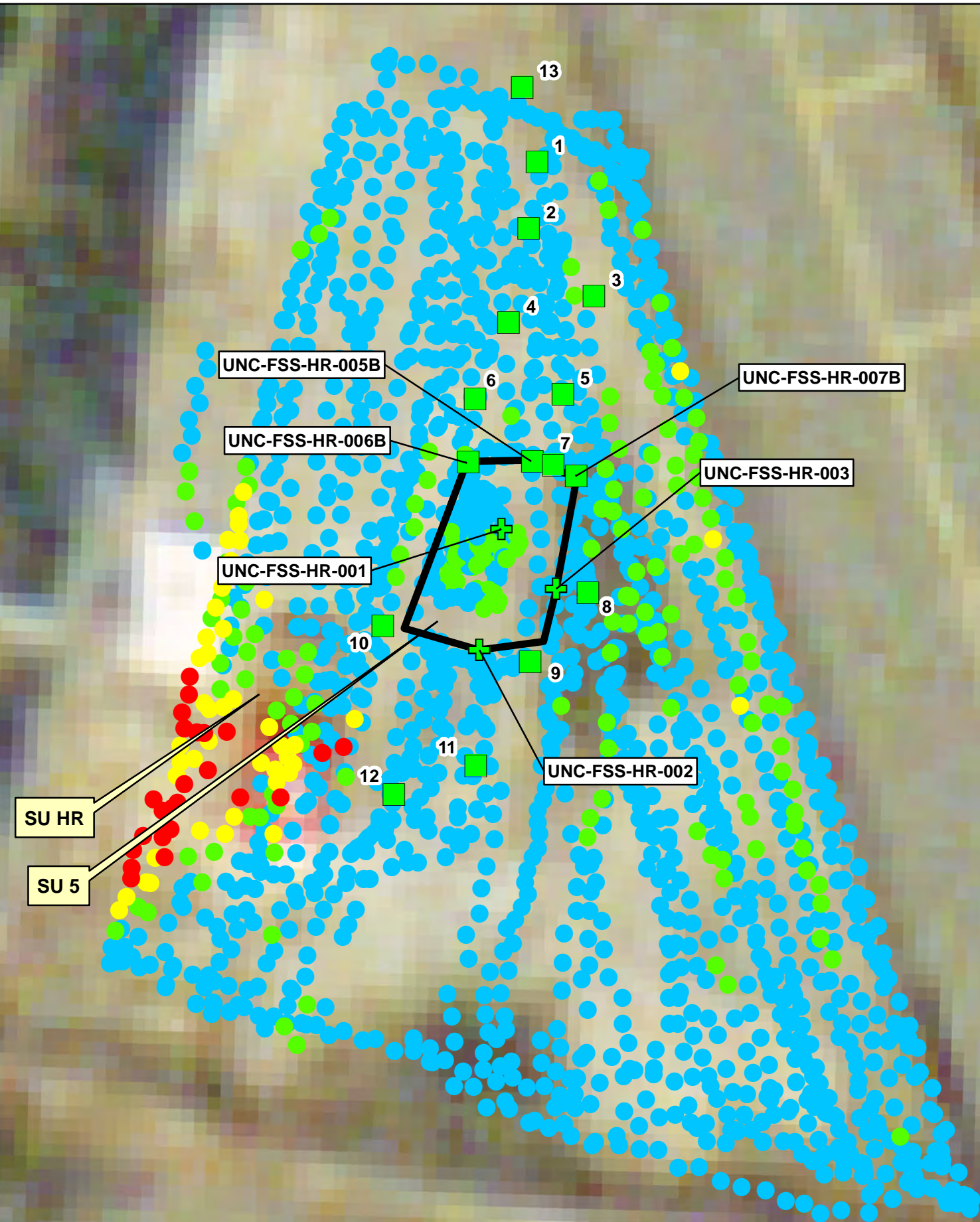
0 2 4 8 12 16 Feet

**SURVEY UNIT 4  
 LAYDOWN AREA GAMMA  
 WALKOVER SURVEY AND  
 SOIL SAMPLE LOCATIONS**

**Former UNC Facility  
 New Haven  
 Connecticut**

Date: Sept 2012  
 Project #: New Haven  
 File Name: Figure  
 Prepared By: K. Wheatley

**Figure 6-5**

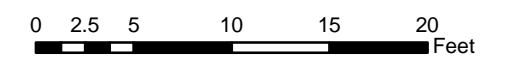


Notes:  
 1. Survey Unit 5 correlates to the excavated portions of the Haul Road area. Survey Unit HR correlates to unexcavated portions of the Haul Road area.  
 2. 1 through 13 were static measurement locations on the concrete pad around the Haul Road excavation.  
 3. Sample locations include the full sample ID which begins with UNC-FSS-HR-\_\_; measurement locations include the shorter two-digit ID.

- Biased Measurement/  
Sample Locations
- + Systematic Measurement/  
Sample Locations

**Z Score**

- <1
- 1-2
- 2-3
- >3



**SURVEY UNITS 5 AND HR  
HAUL ROAD GAMMA  
WALKOVER SURVEY AND  
SOIL SAMPLE LOCATIONS**

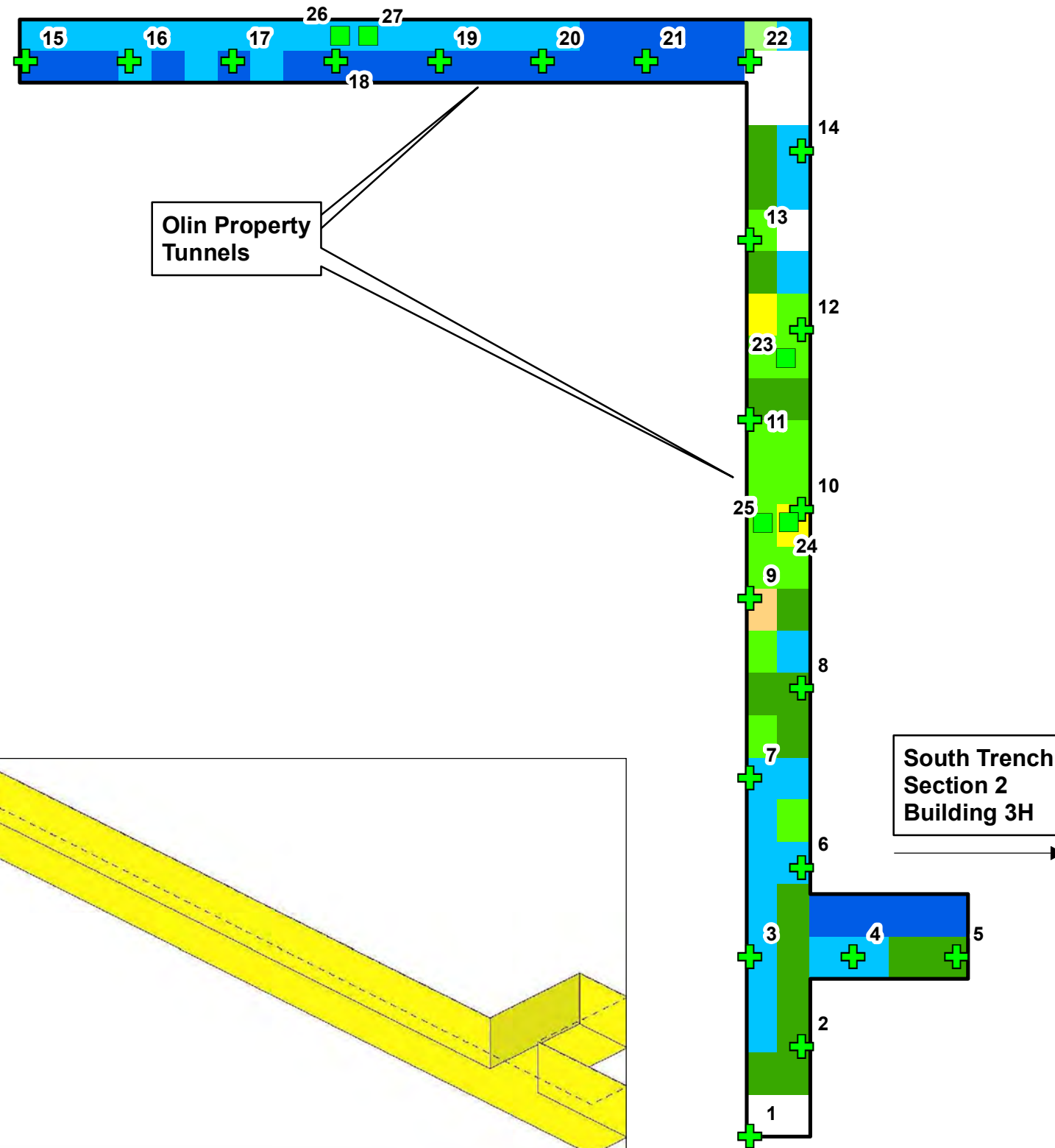
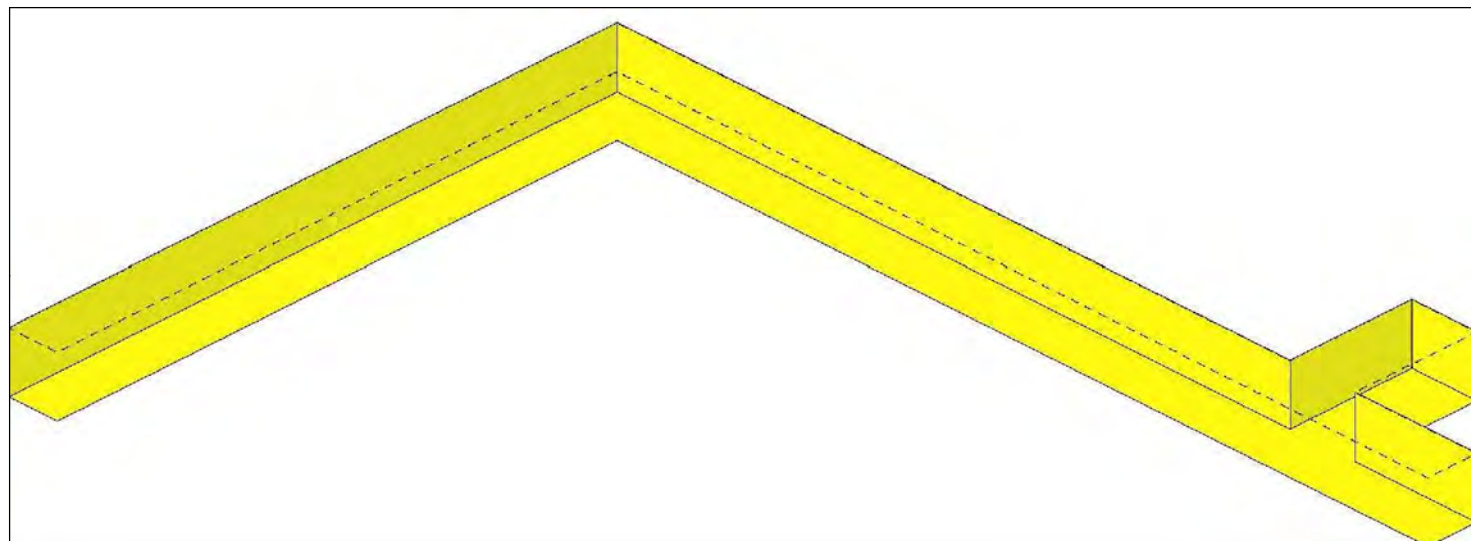
**Former UNC Facility  
New Haven  
Connecticut**

Date: Sept 2012  
 Project #: New Haven  
 File Name: Figure  
 Prepared By: K. Wheatley

**Figure 6-6**



THREE-DIMENSIONAL VIEW



Note: The orientation of this figure is rotated 180 degrees; north faces the bottom of the page rather than the top.

**Legend**

- Systematic Measurement Locations
- Biased Measurement Locations

**Scan Values (dpm/100 cm<sup>2</sup>)**

- No Data
- < 0
- 0 - 100
- 100 - 200
- 200 - 300
- 300 - 400
- 400 - 500
- 500 - 600
- 600 - 700
- 700 - 800
- 800 - 900
- 900 - 1000
- > 1000

0 5 10 20 30 Feet

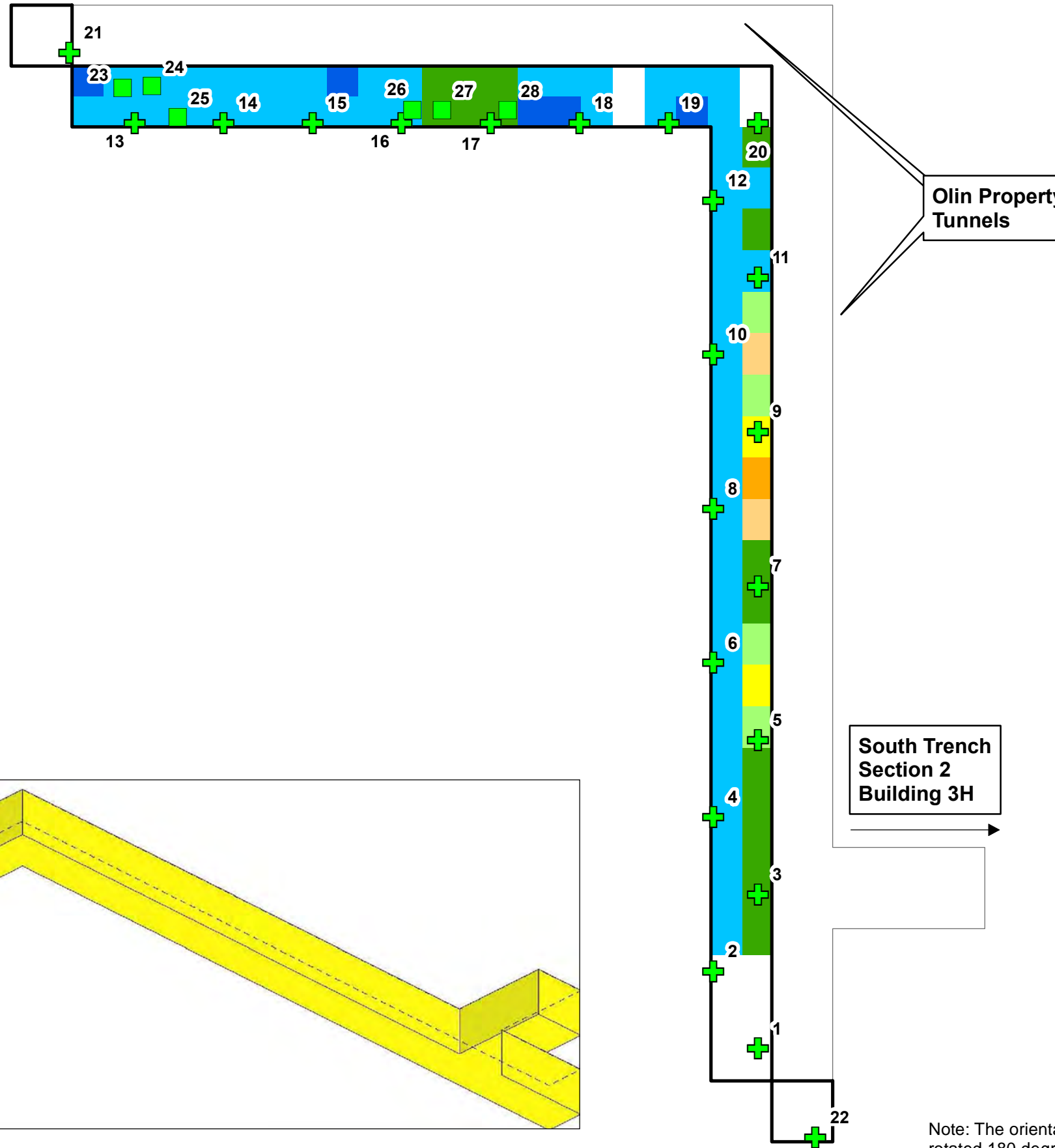
SURVEY UNIT 1-F  
SOUTH TRENCH SECTION 1  
FLOOR MEASUREMENT  
LOCATIONS AND  
ALPHA SCAN DATA

Former UNC Facility  
New Haven  
Connecticut

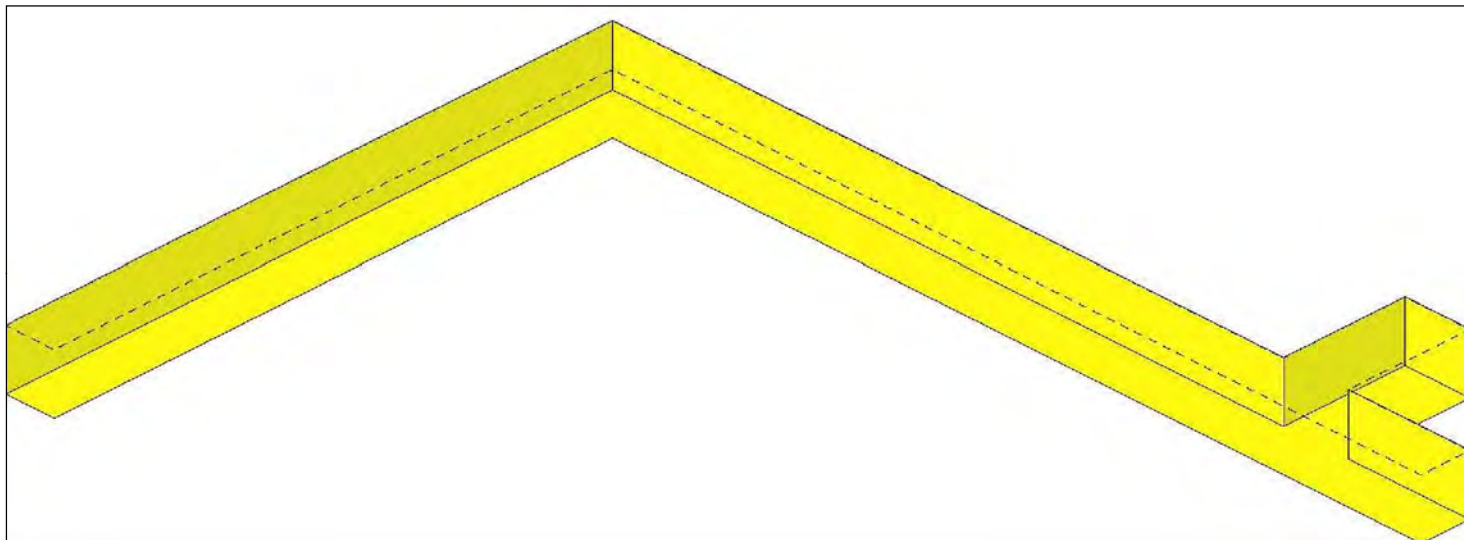
Date: Sept 2012  
Project #: New Haven  
File Name: Figure  
Prepared By: K. Wheatley

**Figure 6-8**





THREE-DIMENSIONAL VIEW



Note: The orientation of this figure is rotated 180 degrees; north faces the bottom of the page rather than the top.

**Legend**

- Systematic Measurement Locations
- Biased Measurement Locations

**Scan Values (dpm/100 cm<sup>2</sup>)**

- No Data
- < 0
- 0 - 100
- 100 - 200
- 200 - 300
- 300 - 400
- 400 - 500
- 500 - 600
- 600 - 700
- 700 - 800
- 800 - 900
- 900 - 1000
- > 1000

0 4.5 9 18 27 Feet

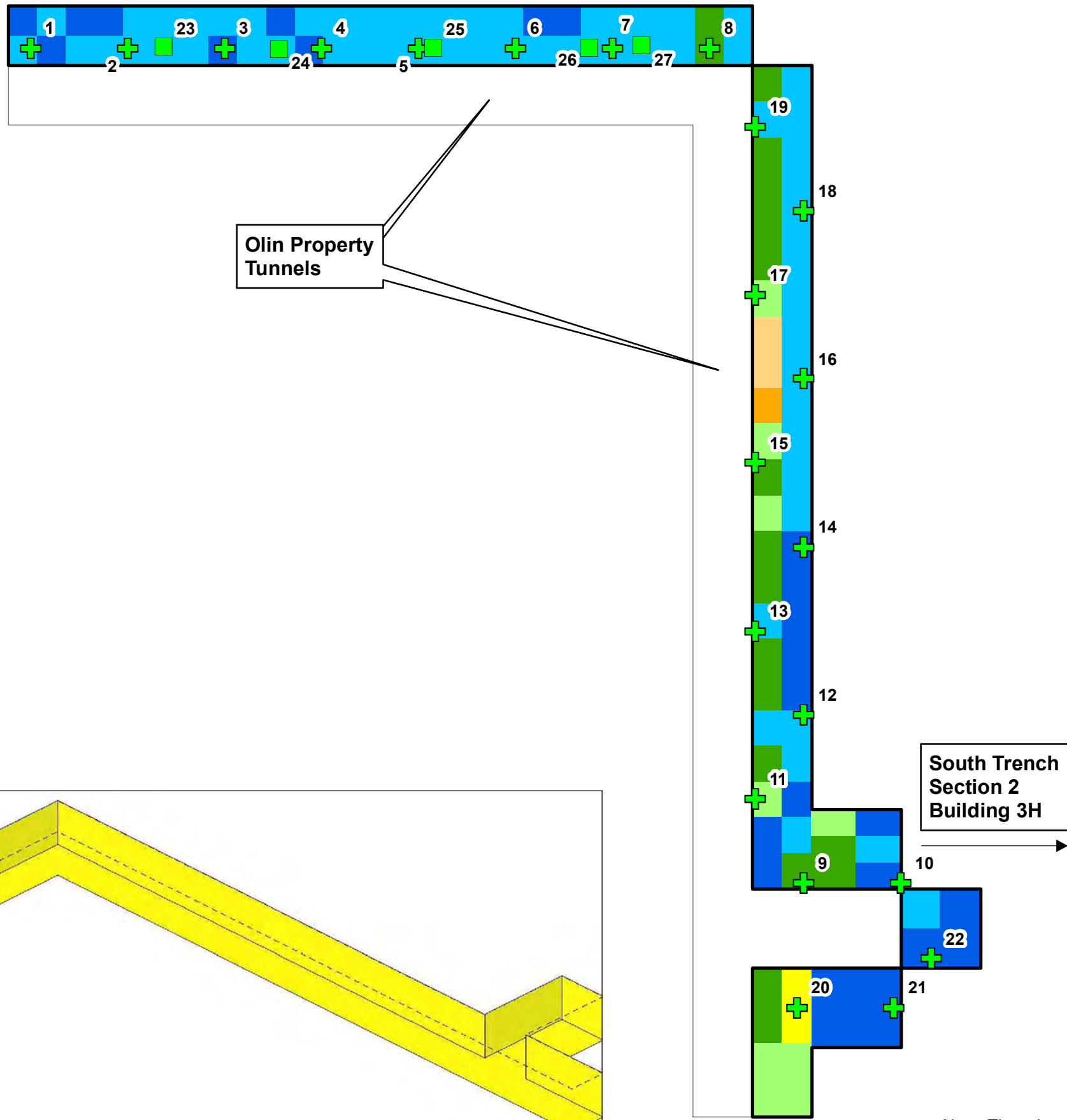
SURVEY UNIT 1-W1  
SOUTH TRENCH SECTION 1  
WALL MEASUREMENT  
LOCATIONS AND  
ALPHA SCAN DATA

Former UNC Facility  
New Haven  
Connecticut

Date: Sept 2012  
Project #: New Haven  
File Name: Figure  
Prepared By: K. Wheatley

**Figure 6-9**





**Legend**

- Systematic Measurement Locations
- Biased Measurement Locations

**Scan Values (dpm/100 cm<sup>2</sup>)**

- No Data
- < 0
- 0 - 100
- 100 - 200
- 200 - 300
- 300 - 400
- 400 - 500
- 500 - 600
- 600 - 700
- 700 - 800
- 800 - 900
- 900 - 1000
- > 1000

0 4.5 9 18 27 Feet

**SURVEY UNIT 1-W2  
SOUTH TRENCH SECTION 1  
WALL MEASUREMENT  
LOCATIONS AND  
ALPHA SCAN DATA**

**Former UNC Facility  
New Haven  
Connecticut**

Date: Sept 2012  
Project #: New Haven  
File Name: Figure  
Prepared By: K. Wheatley

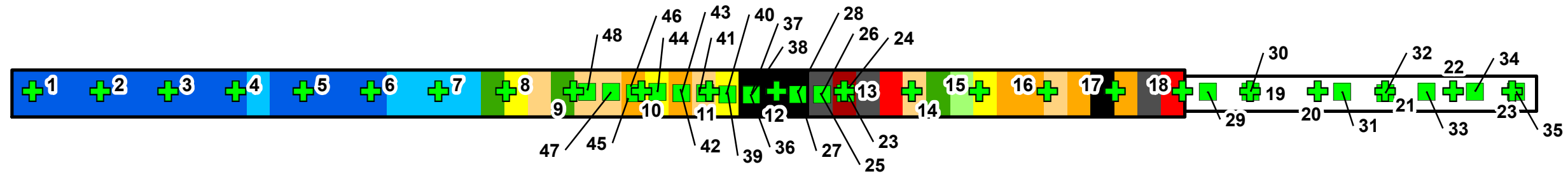


**Figure 6-10**

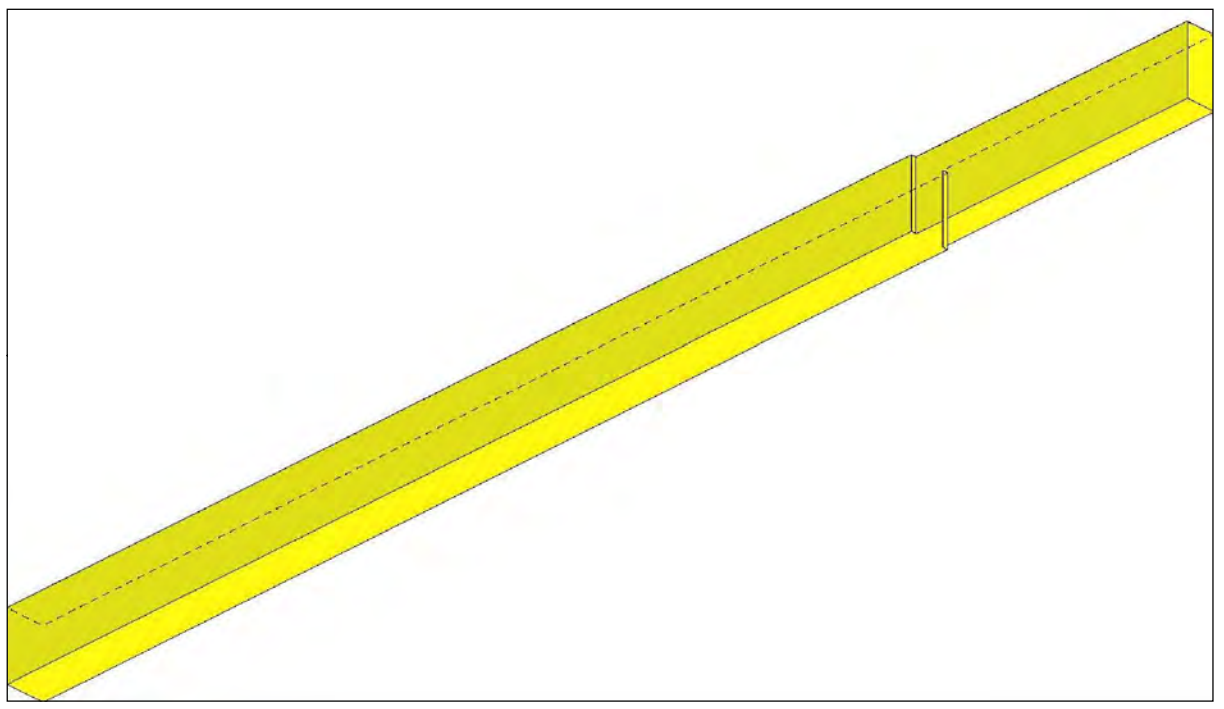
Note: The orientation of this figure is rotated 180 degrees; north faces the bottom of the page rather than the top.

Column 41

Column 48



THREE DIMENSIONAL VIEW



Note: The following Biased Measurement Locations are illustrated by a single measurement point each:  
 23 and 24  
 25 and 26  
 27 and 28  
 36, 37 and 38  
 39 and 40  
 42 and 43  
 45 and 46

**Legend**

- Systematic Measurement Locations (Green Cross)
- Biased Measurement Locations (Green Square)

**Scan Values (dpm/100 cm<sup>2</sup>)**

- No Data (White)
- < 0 (Blue)
- 0 - 100 (Light Blue)
- 100 - 200 (Green)
- 200 - 300 (Light Green)
- 300 - 400 (Yellow)
- 400 - 500 (Light Orange)
- 500 - 600 (Orange)
- 600 - 700 (Red)
- 700 - 800 (Dark Red)
- 800 - 900 (Brown)
- 900 - 1000 (Grey)
- > 1000 (Black)

0 3.5 7 14 21 Feet

**SURVEY UNIT 2-F  
 SOUTH TRENCH SECTION 2  
 FLOOR MEASUREMENT  
 LOCATIONS AND  
 ALPHA SCAN DATA**

**Former UNC Facility  
 New Haven  
 Connecticut**

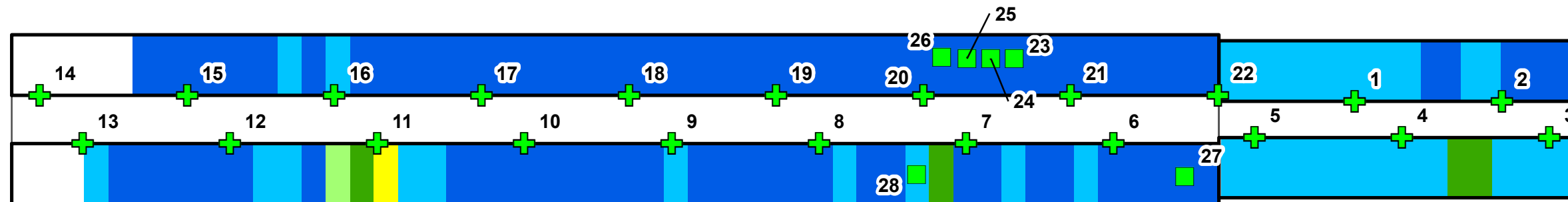
Date: Sept 2012  
 Project #: New Haven  
 File Name: Figure  
 Prepared By: K. Wheatley

**Figure 6-11**

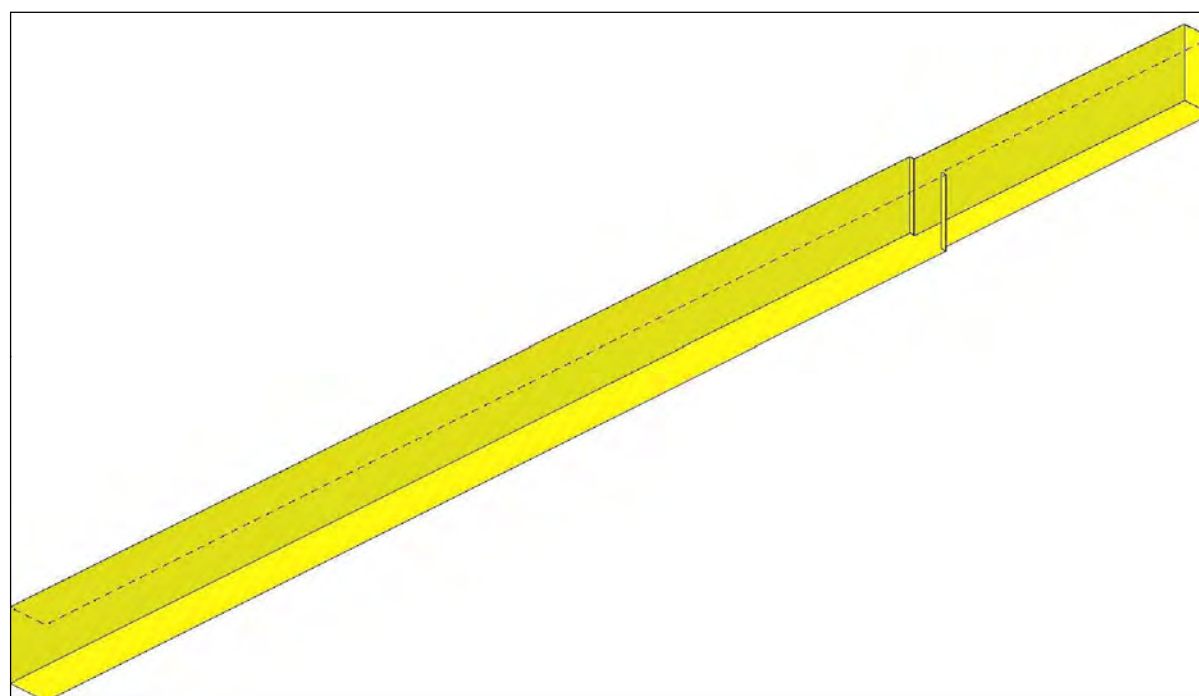


Column 41

Column 48



THREE DIMENSIONAL VIEW

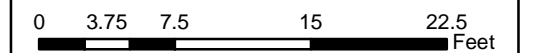


Legend

- Systematic Measurement Locations
- Biased Measurement Locations

Scan Values (dpm/100 cm<sup>2</sup>)

- No Data
- < 0
- 0 - 100
- 100 - 200
- 200 - 300
- 300 - 400
- 400 - 500
- 500 - 600
- 600 - 700
- 700 - 800
- 800 - 900
- 900 - 1000
- > 1000

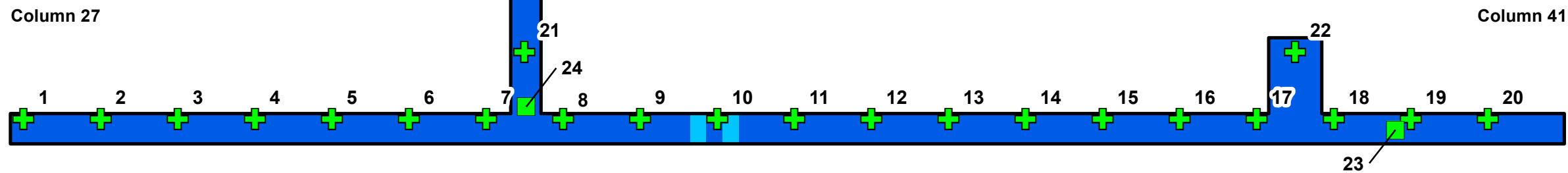


SURVEY UNIT 2-W  
SOUTH TRENCH SECTION 2  
WALLS MEASUREMENT  
LOCATIONS AND  
ALPHA SCAN DATA

Former UNC Facility  
New Haven  
Connecticut

Date: Sept 2012  
Project #: New Haven  
File Name: Figure  
Prepared By: K. Wheatley

Figure 6-12

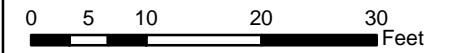


**Legend**

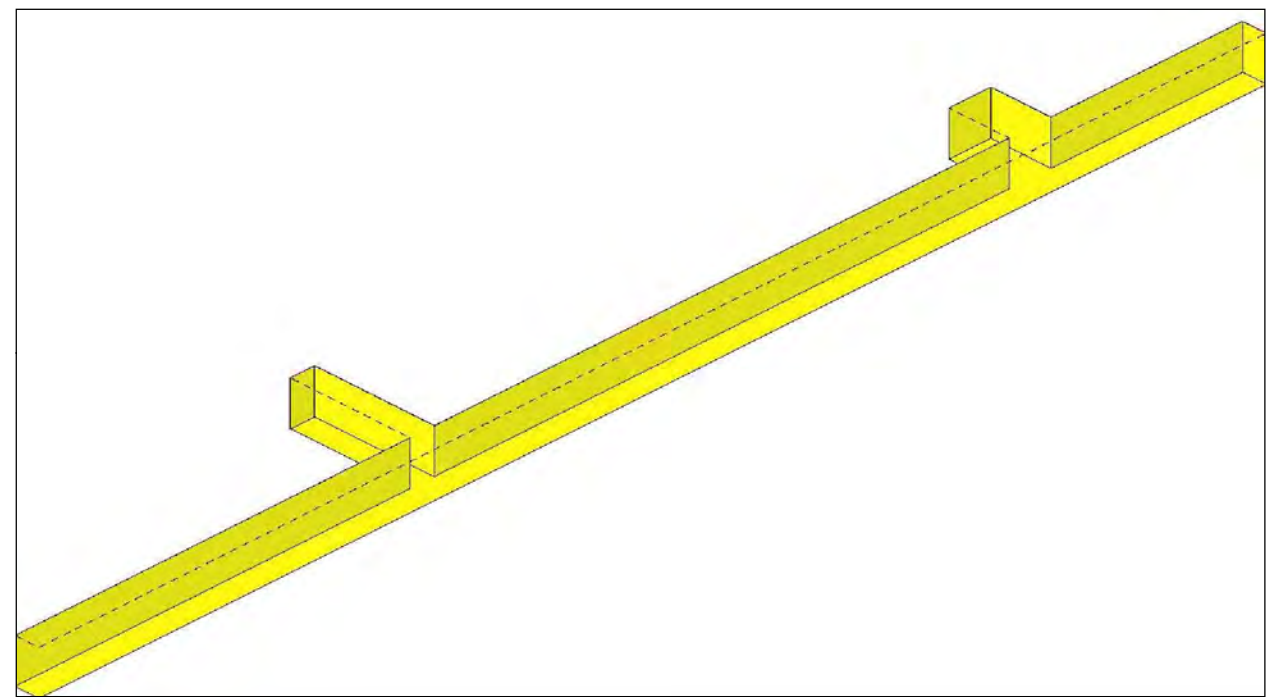
- + Systematic Measurement Locations
- Biased Measurement Locations

**Scan Values (dpm/100 cm<sup>2</sup>)**

- No Data
- < 0
- 0 - 100
- 100 - 200
- 200 - 300
- 300 - 400
- 400 - 500
- 500 - 600
- 600 - 700
- 700 - 800
- 800 - 900
- 900 - 1000
- > 1000



**THREE DIMENSIONAL VIEW**



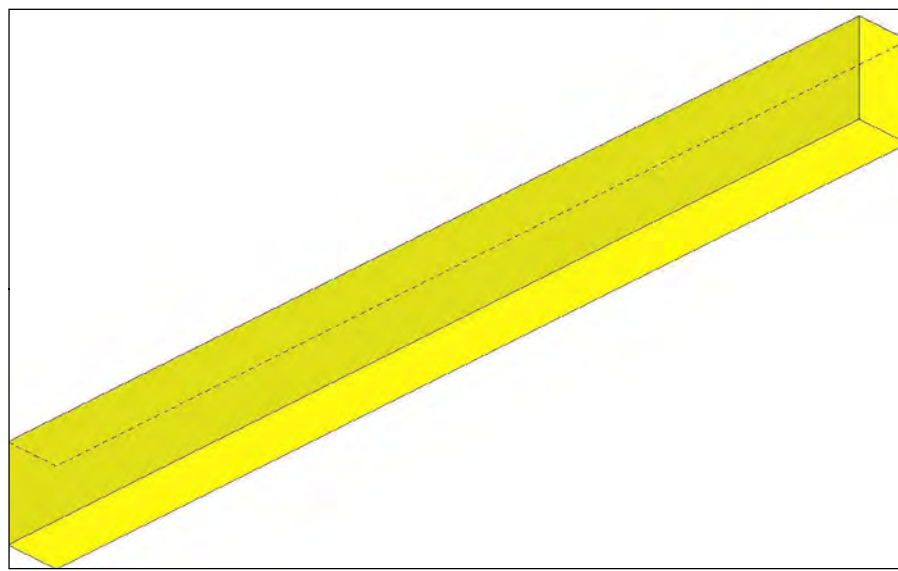
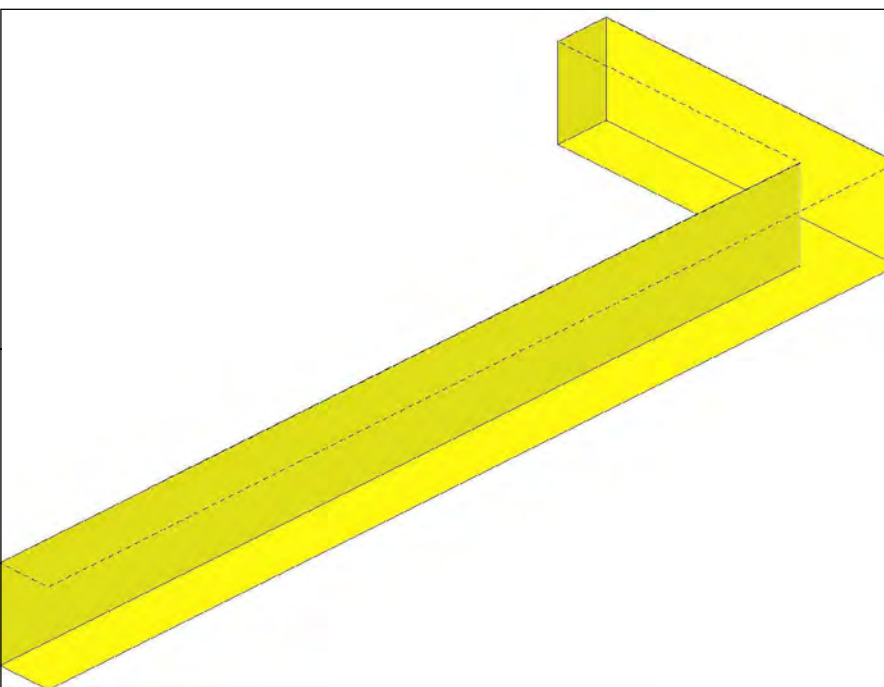
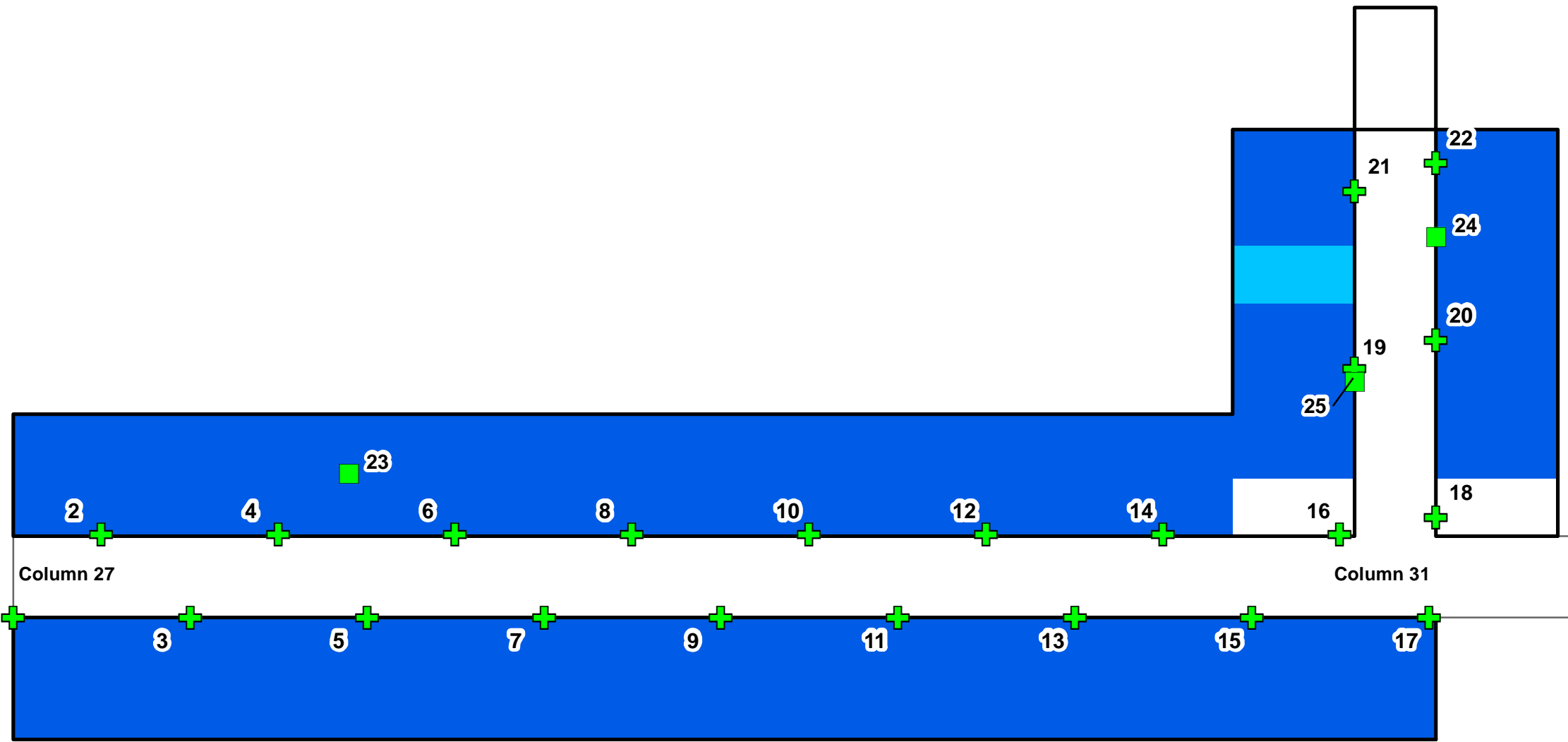
**SURVEY UNIT 3-F  
SOUTH TRENCH SECTION 3  
FLOOR MEASUREMENT  
LOCATIONS AND  
ALPHA SCAN DATA**

**Former UNC Facility  
New Haven  
Connecticut**

Date: Sept 2012  
Project #: New Haven  
File Name: Figure  
Prepared By: K. Wheatley

**Figure 6-13**





THREE DIMENSIONAL VIEWS

**Legend**

- Systematic Measurement Locations
- Biased Measurement Locations

**Scan Values (dpm/100 cm<sup>2</sup>)**

- No Data
- < 0
- 0 - 100
- 100 - 200
- 200 - 300
- 300 - 400
- 400 - 500
- 500 - 600
- 600 - 700
- 700 - 800
- 800 - 900
- 900 - 1000
- > 1000

0 2.25 4.5 9 13.5 Feet

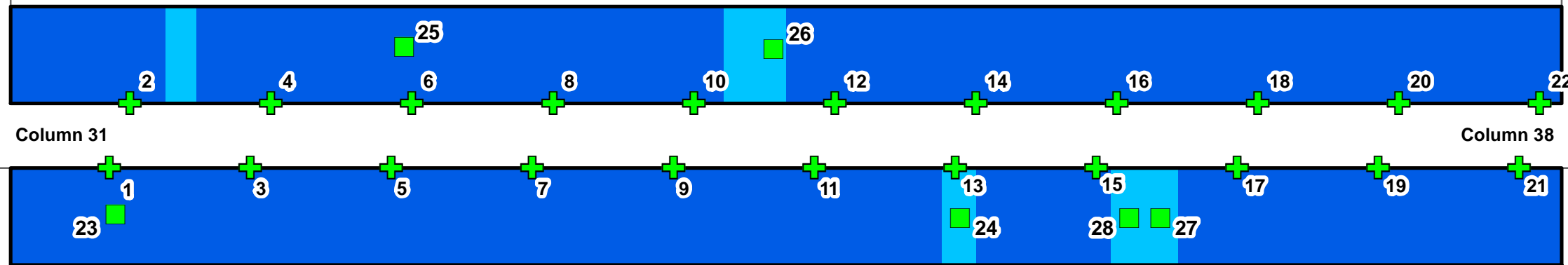
**SURVEY UNIT 3-W1  
SOUTH TRENCH SECTION 3  
WALL MEASUREMENT  
LOCATIONS AND  
ALPHA SCAN DATA**

**Former UNC Facility  
New Haven  
Connecticut**

Date: Sept 2012  
Project #: New Haven  
File Name: Figure  
Prepared By: K. Wheatley

**Figure 6-14**





**Legend**

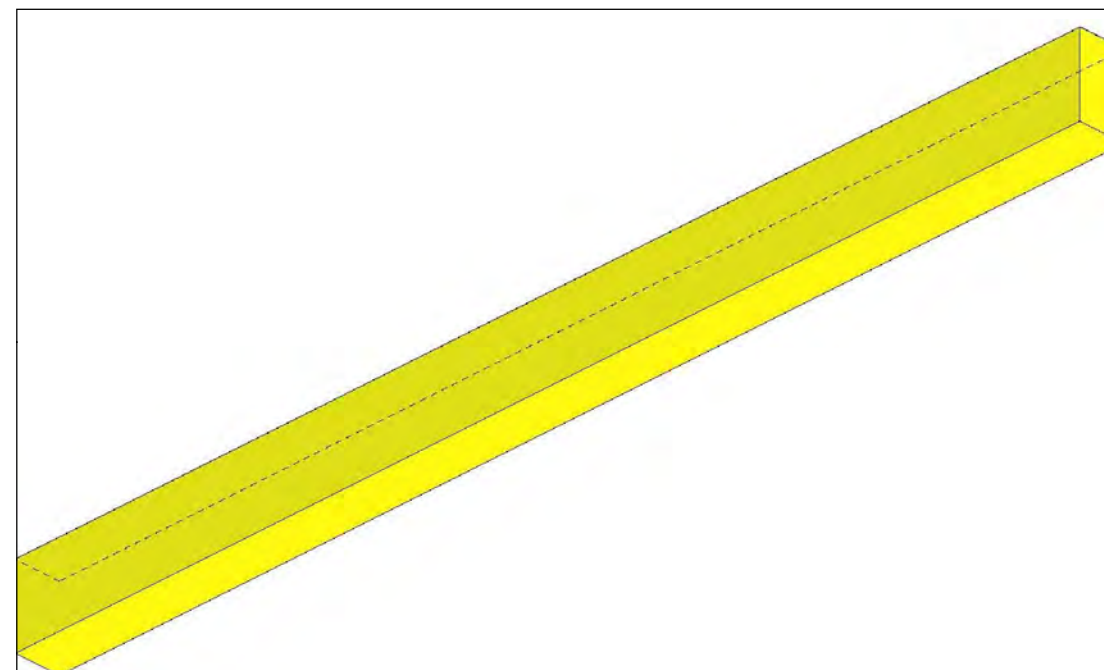
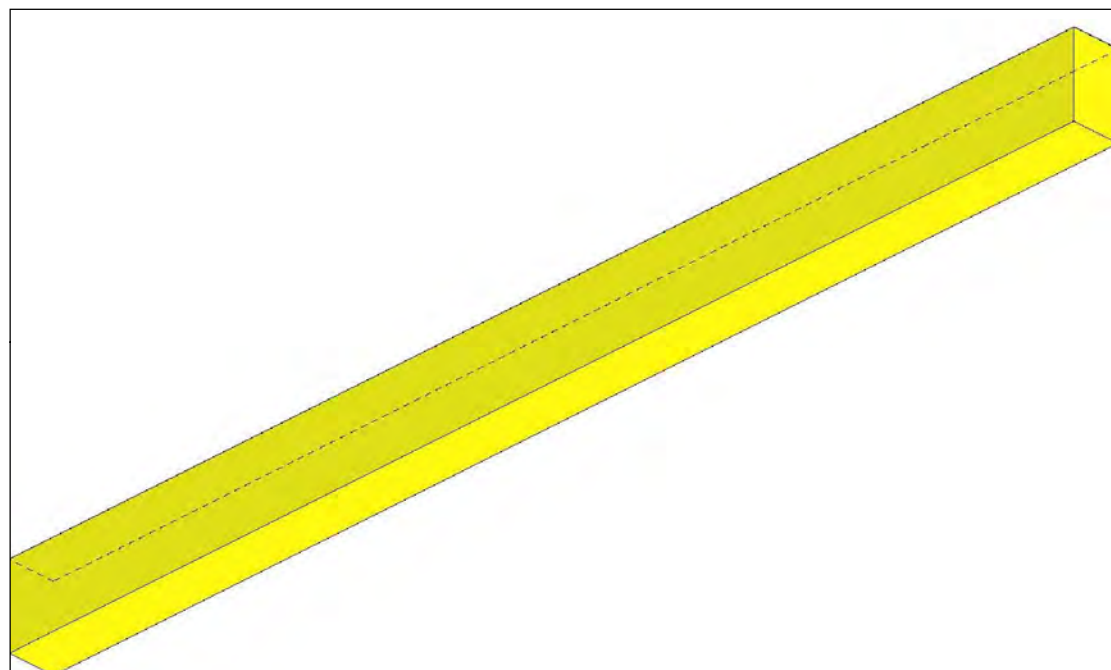
- Systematic Measurement Locations
- Biased Measurement Locations

**Scan Values (dpm/100 cm<sup>2</sup>)**

- No Data
- < 0
- 0 - 100
- 100 - 200
- 200 - 300
- 300 - 400
- 400 - 500
- 500 - 600
- 600 - 700
- 700 - 800
- 800 - 900
- 900 - 1000
- > 1000

0 2.75 5.5 11 16.5 Feet

**THREE DIMENSIONAL VIEWS**



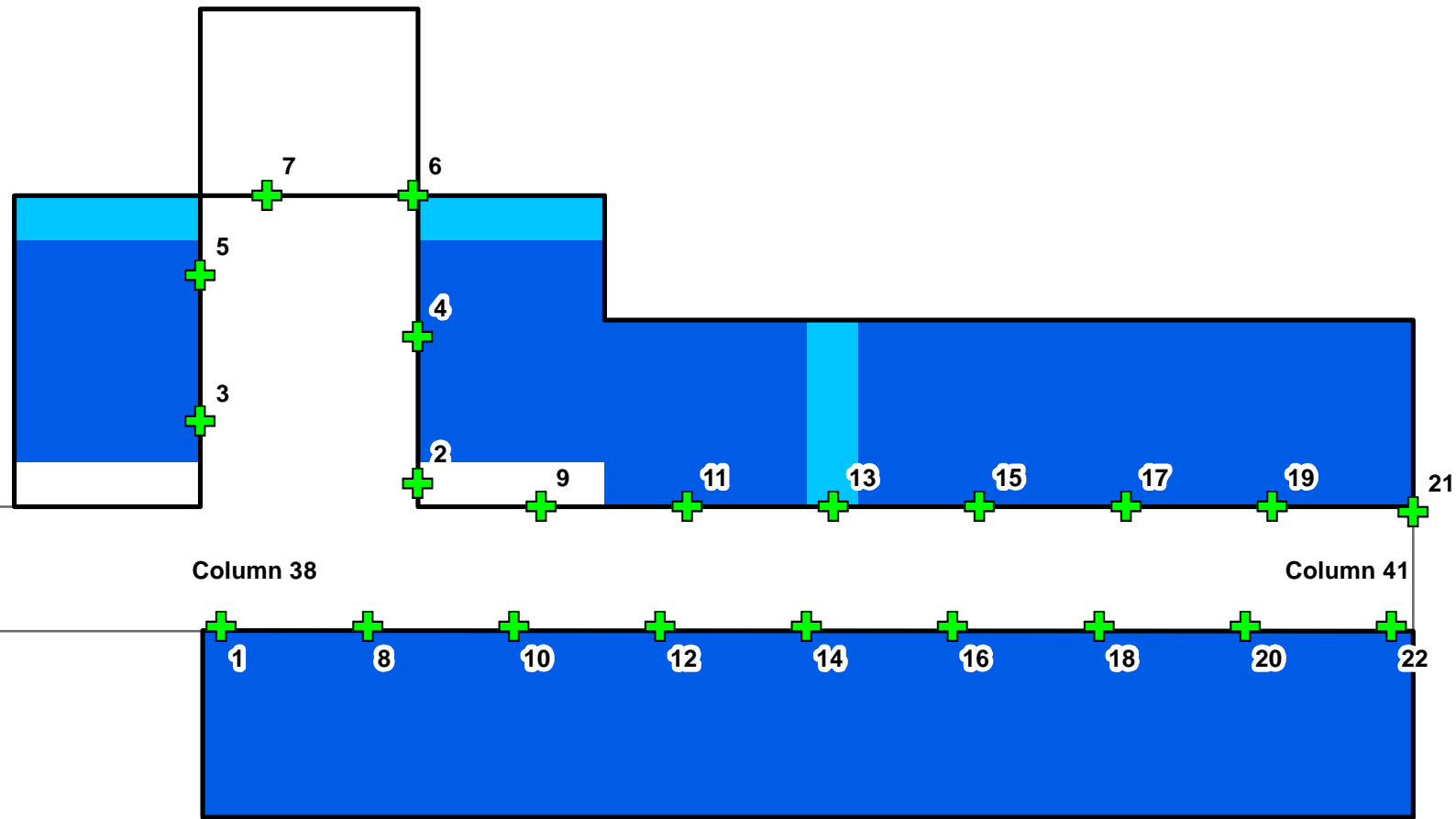
**SURVEY UNIT 3-W2  
SOUTH TRENCH SECTION 3  
WALL MEASUREMENT  
LOCATIONS AND  
ALPHA SCAN DATA**

**Former UNC Facility  
New Haven  
Connecticut**

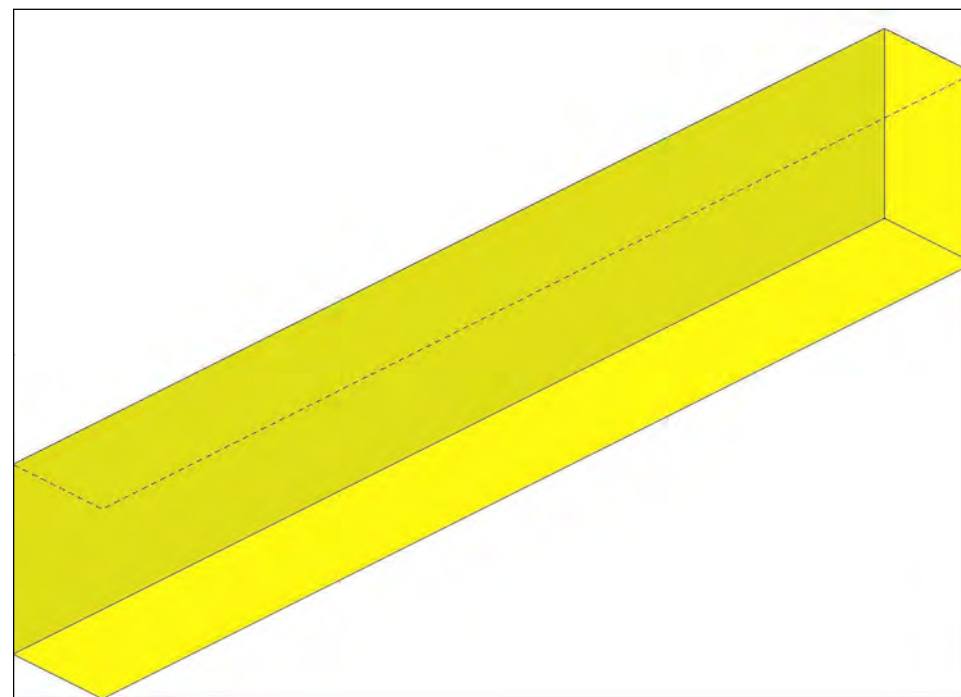
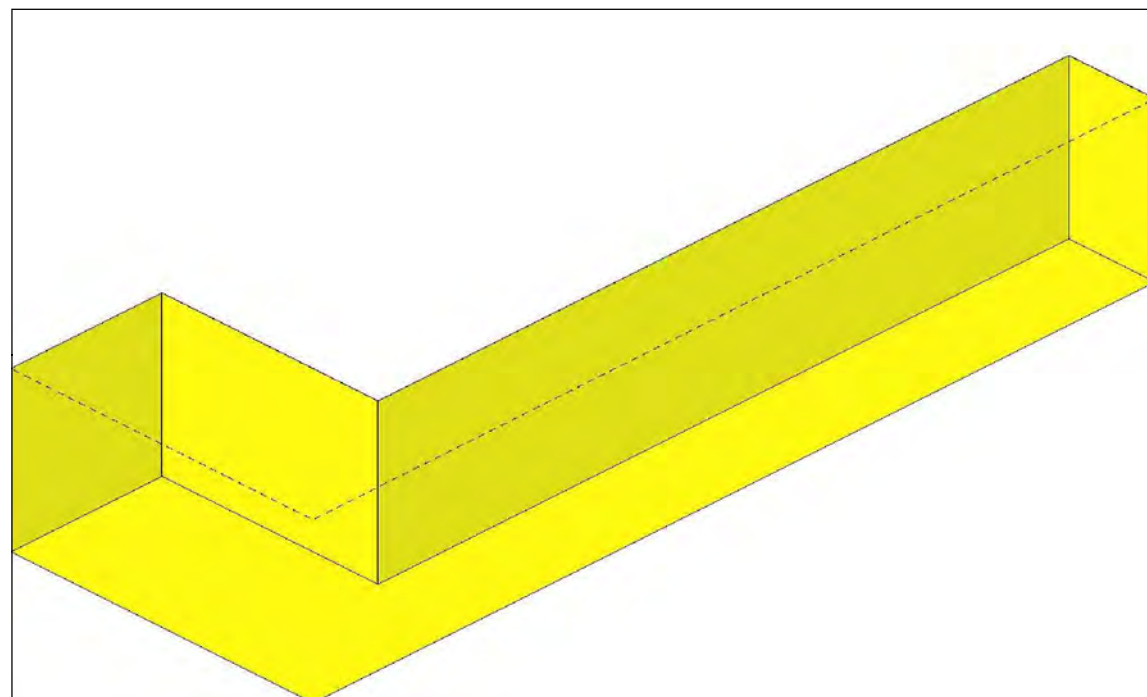
Date: Sept 2012  
Project #: New Haven  
File Name: Figure  
Prepared By: K. Wheatley

**Figure 6-15**





THREE DIMENSIONAL VIEWS

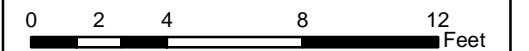


Legend

Systematic Measurement Locations

Scan Values (dpm/100 cm<sup>2</sup>)

- No Data
- < 0
- 0 - 100
- 100 - 200
- 200 - 300
- 300 - 400
- 400 - 500
- 500 - 600
- 600 - 700
- 700 - 800
- 800 - 900
- 900 - 1000
- > 1000

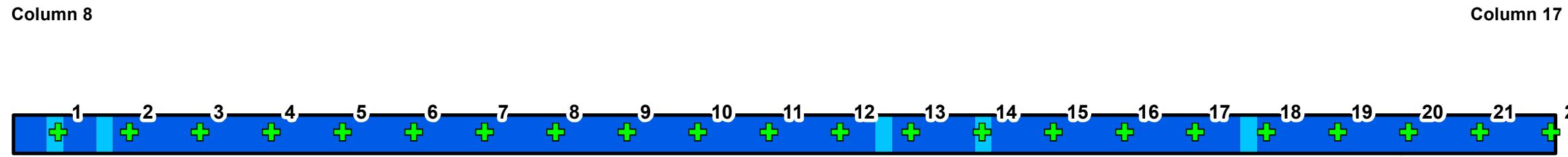


SURVEY UNIT 3-W3  
SOUTH TRENCH SECTION 3  
WALL MEASUREMENT  
LOCATIONS AND  
ALPHA SCAN DATA


Former UNC Facility  
New Haven  
Connecticut

Date: Sept 2012  
Project #: New Haven  
File Name: Figure  
Prepared By: K. Wheatley





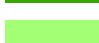








Figure 6-16

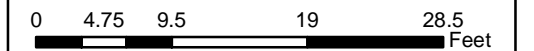


**Legend**

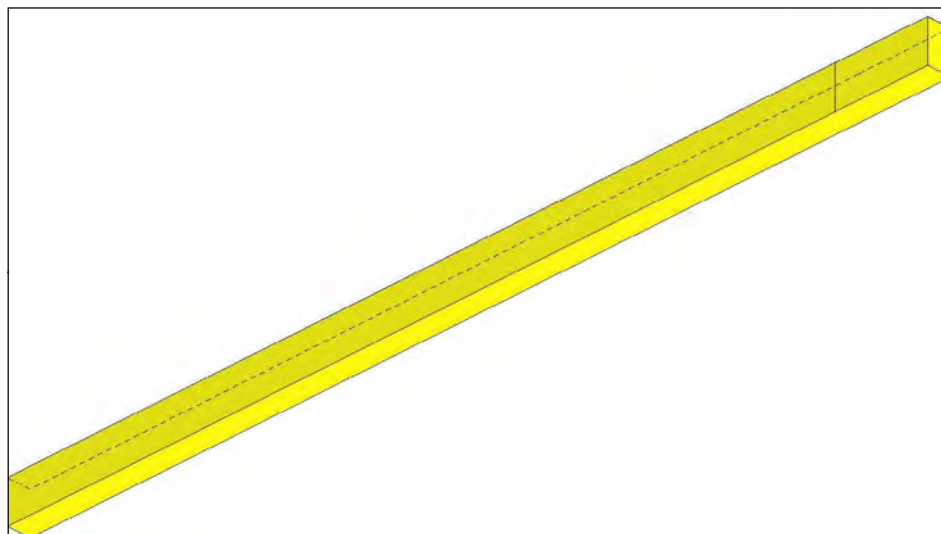
 Systematic Measurement Locations

**Scan Values (dpm/100 cm<sup>2</sup>)**

-  No Data
-  < 0
-  0 - 100
-  100 - 200
-  200 - 300
-  300 - 400
-  400 - 500
-  500 - 600
-  600 - 700
-  700 - 800
-  800 - 900
-  900 - 1000
-  > 1000



**THREE DIMENSIONAL VIEW**



**SURVEY UNIT 4-F1  
SOUTH TRENCH SECTION 4  
FLOOR MEASUREMENT  
LOCATIONS AND  
ALPHA SCAN DATA**

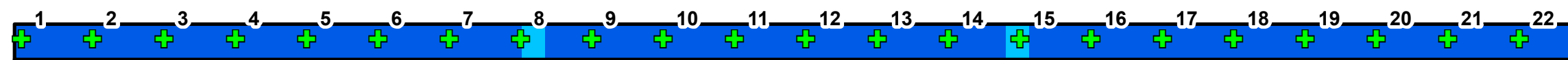
**Former UNC Facility  
New Haven  
Connecticut**

Date: Sept 2012  
Project #: New Haven  
File Name: Figure  
Prepared By: K. Wheatley

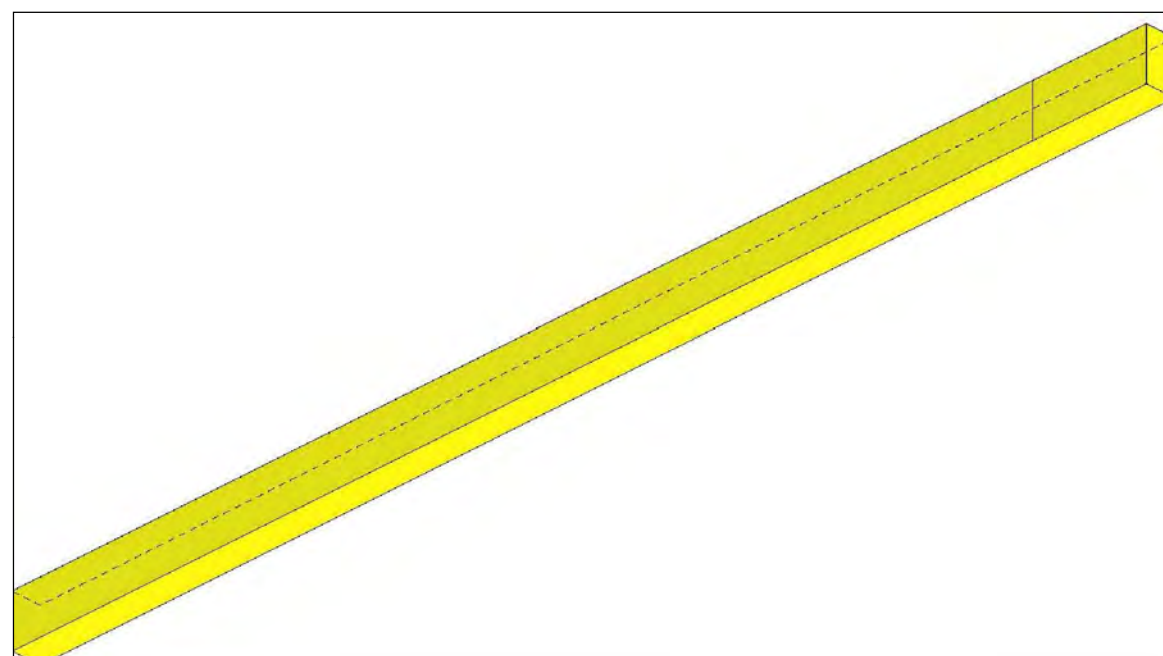
**Figure 6-17**

Column 18


Column 27



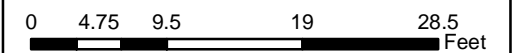
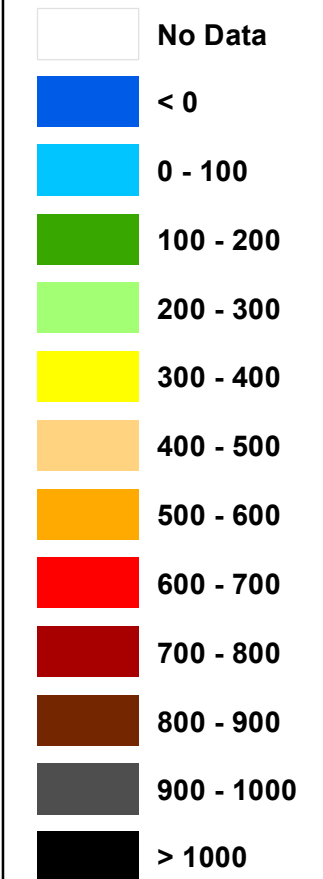
THREE DIMENSIONAL VIEW



Legend

 Systematic Measurement Locations

Scan Values (dpm/100 cm<sup>2</sup>)



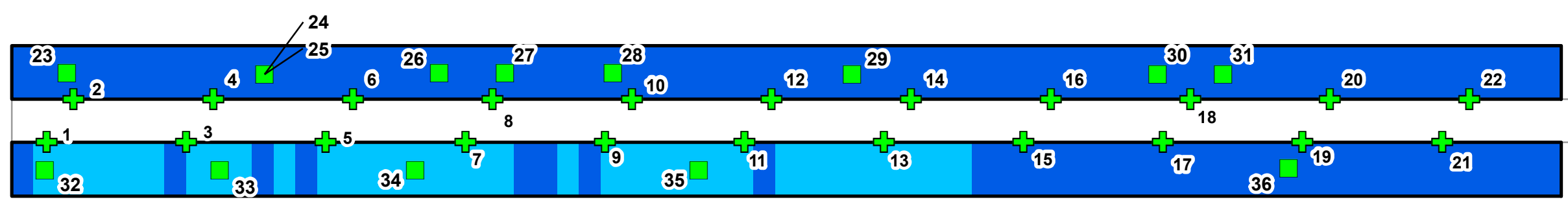
SURVEY UNIT 4-F2  
SOUTH TRENCH SECTION 4  
FLOOR MEASUREMENT  
LOCATIONS AND  
ALPHA SCAN DATA

Former UNC Facility  
New Haven  
Connecticut

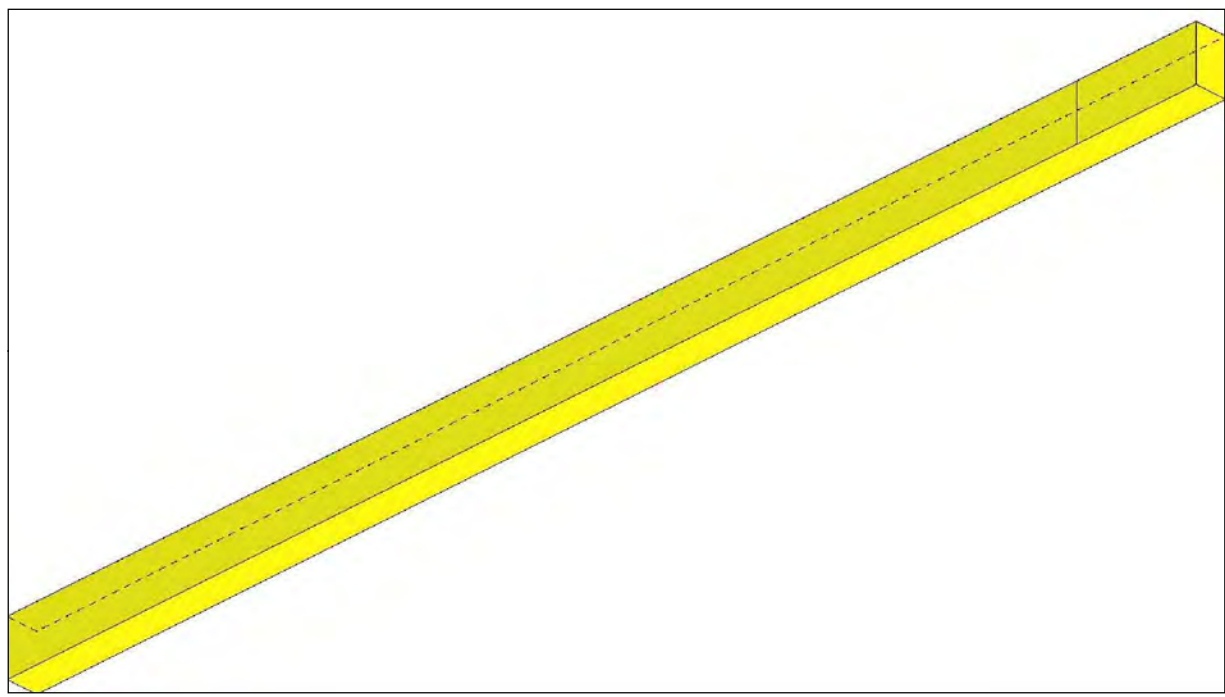
Date: Sept 2012  
Project #: New Haven  
File Name: Figure  
Prepared By: K. Wheatley

Figure 6-18

Column 8 Column 15



THREE DIMENSIONAL VIEW



**Legend**

- + Systematic Measurement Locations
- Biased Measurement Locations

**Scan Values (dpm/100 cm<sup>2</sup>)**

- No Data
- < 0
- 0 - 100
- 100 - 200
- 200 - 300
- 300 - 400
- 400 - 500
- 500 - 600
- 600 - 700
- 700 - 800
- 800 - 900
- 900 - 1000
- > 1000

0 4 8 16 24 Feet

**SURVEY UNIT 4-W1  
SOUTH TRENCH SECTION 4  
WALL MEASUREMENT  
LOCATIONS AND  
ALPHA SCAN DATA**

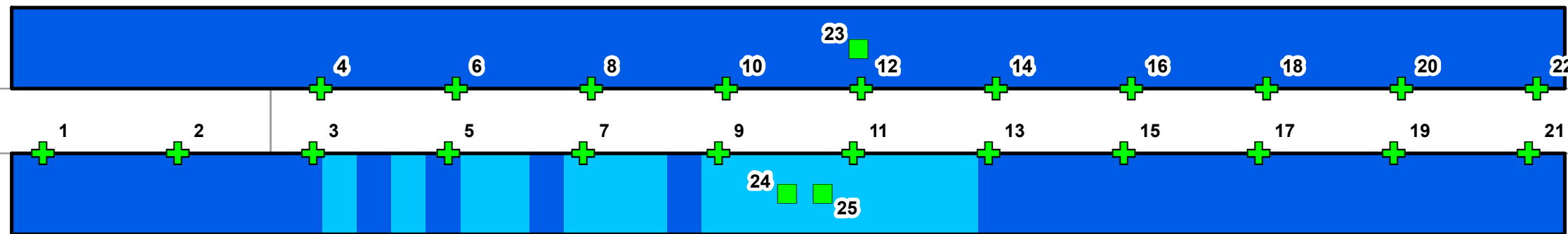
**Former UNC Facility  
New Haven  
Connecticut**

Date: Sept 2012	<b>Figure 6-19</b>
Project #: New Haven	
File Name: Figure	
Prepared By: K. Wheatley	



Column 15

Column 21

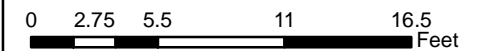


**Legend**

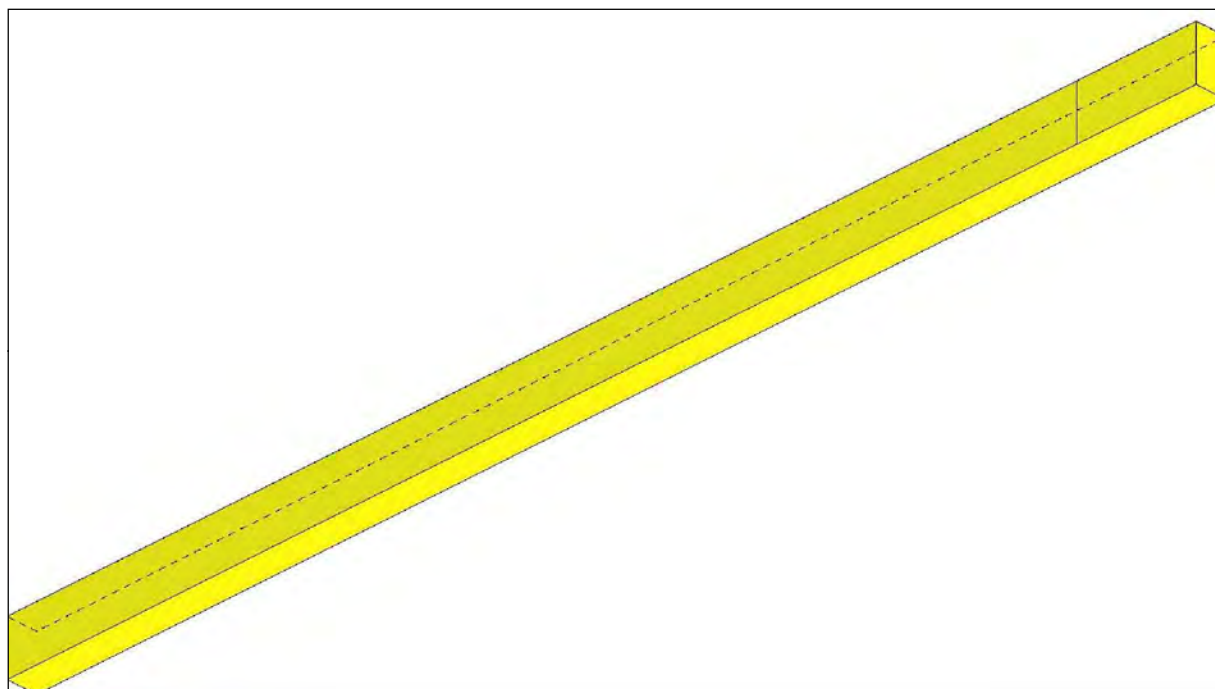
- Systematic Measurement Locations
- Biased Measurement Locations

**Scan Values (dpm/100 cm<sup>2</sup>)**

- No Data
- < 0
- 0 - 100
- 100 - 200
- 200 - 300
- 300 - 400
- 400 - 500
- 500 - 600
- 600 - 700
- 700 - 800
- 800 - 900
- 900 - 1000
- > 1000



**THREE DIMENSIONAL VIEW**



**SURVEY UNIT 4-W2  
SOUTH TRENCH SECTION 4  
WALL MEASUREMENT  
LOCATIONS AND  
ALPHA SCAN DATA**

**Former UNC Facility  
New Haven  
Connecticut**

Date: Sept 2012

Project #: New Haven

File Name: Figure

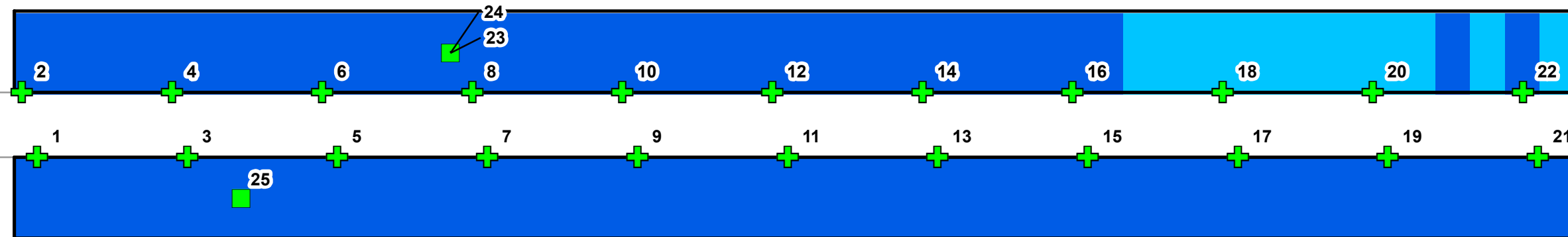
Prepared By: K. Wheatley

**Figure 6-20**

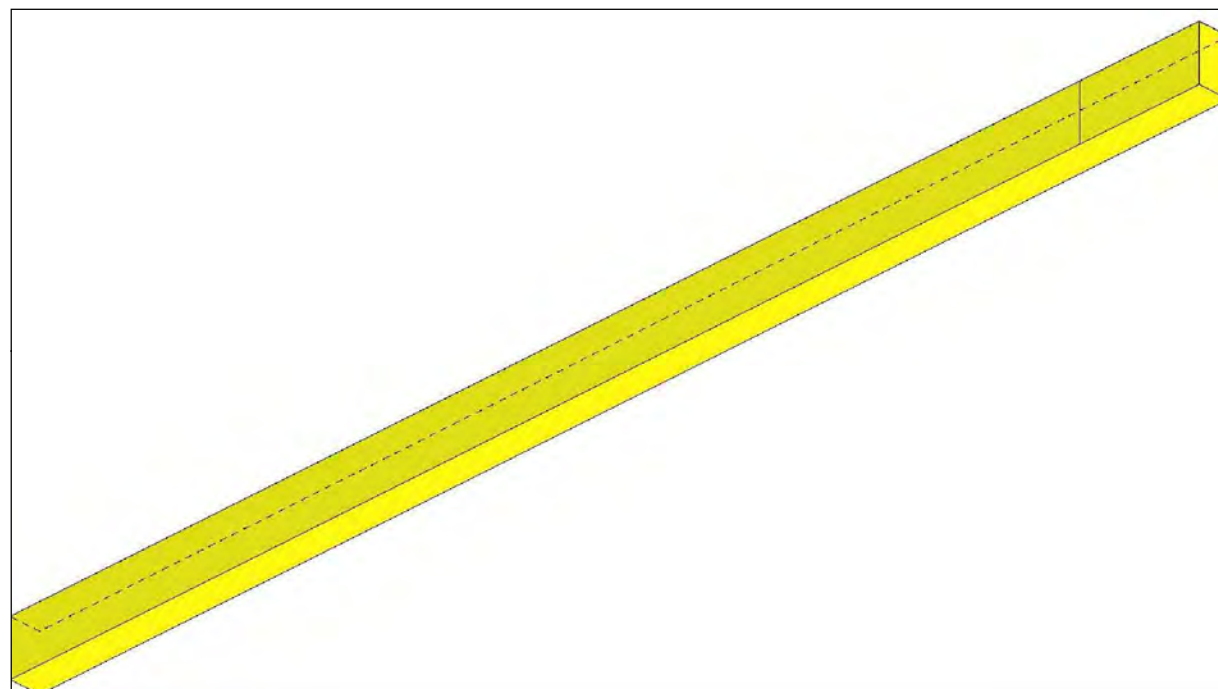


Column 21

Column 27



### THREE DIMENSIONAL VIEW

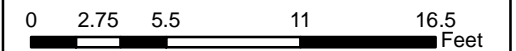


### Legend

- Systematic Measurement Locations
- Biased Measurement Locations

### Scan Values (dpm/100 cm<sup>2</sup>)

- No Data
- < 0
- 0 - 100
- 100 - 200
- 200 - 300
- 300 - 400
- 400 - 500
- 500 - 600
- 600 - 700
- 700 - 800
- 800 - 900
- 900 - 1000
- > 1000



SURVEY UNIT 4-W3  
SOUTH TRENCH SECTION 4  
WALL MEASUREMENT  
LOCATIONS AND  
ALPHA SCAN DATA

Former UNC Facility  
New Haven  
Connecticut

Date: Sept 2012

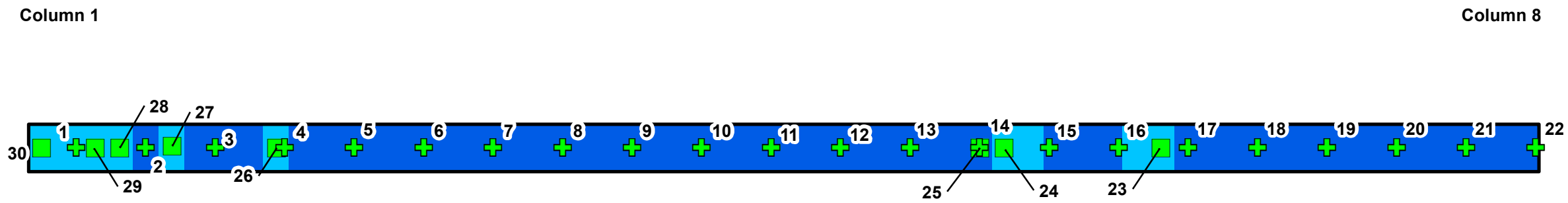
Project #: New Haven

File Name: Figure

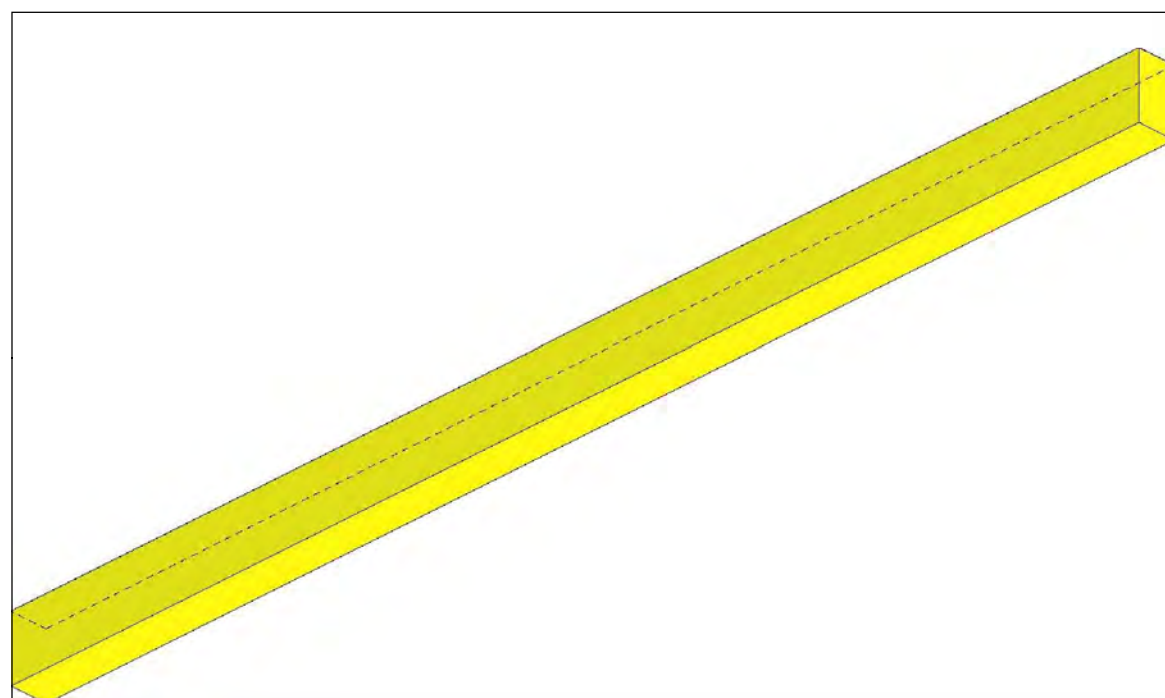
Prepared By: K. Wheatley

Figure 6-21





**THREE DIMENSIONAL VIEW**



**Legend**

- Systematic Measurement Locations
- Biased Measurement Locations

**Scan Values (dpm/100 cm<sup>2</sup>)**

- No Data
- < 0
- 0 - 100
- 100 - 200
- 200 - 300
- 300 - 400
- 400 - 500
- 500 - 600
- 600 - 700
- 700 - 800
- 800 - 900
- 900 - 1000
- > 1000

0 3.75 7.5 15 22.5 Feet

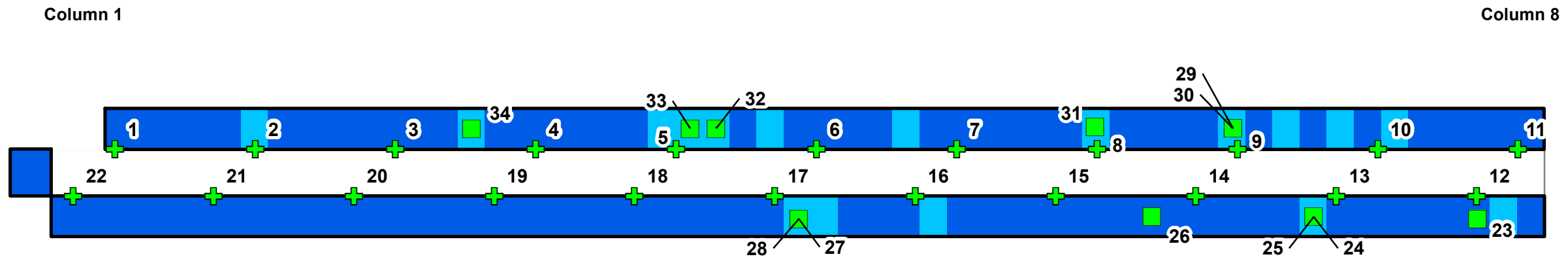
**SURVEY UNIT 5-F  
SOUTH TRENCH SECTION 5  
FLOOR MEASUREMENT  
LOCATIONS AND  
ALPHA SCAN DATA**

**Former UNC Facility  
New Haven  
Connecticut**

Date: Sept 2012  
Project #: New Haven  
File Name: Figure  
Prepared By: K. Wheatley

**Figure 6-22**





**Legend**

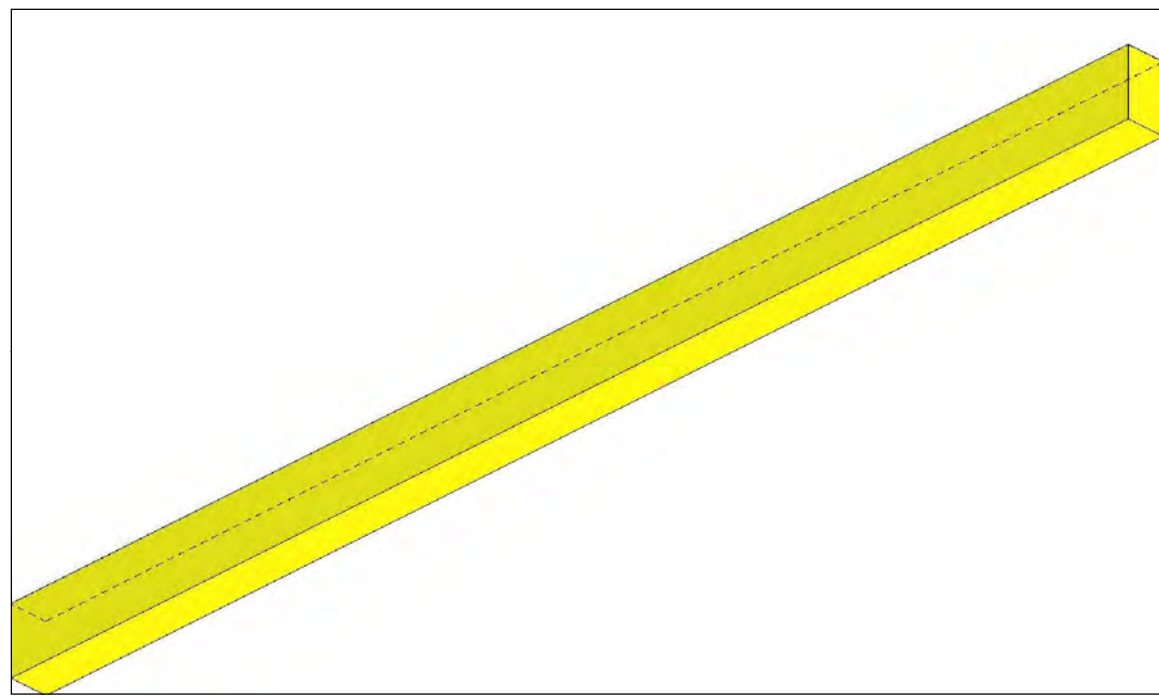
- Systematic Measurement Locations
- Biased Measurement Locations

**Scan Values (dpm/100 cm<sup>2</sup>)**

- No Data
- < 0
- 0 - 100
- 100 - 200
- 200 - 300
- 300 - 400
- 400 - 500
- 500 - 600
- 600 - 700
- 700 - 800
- 800 - 900
- 900 - 1000
- > 1000

0 3.75 7.5 15 22.5 Feet

**THREE DIMENSIONAL VIEW**



**SURVEY UNIT 5-W  
SOUTH TRENCH SECTION 5  
WALL MEASUREMENT  
LOCATIONS AND  
ALPHA SCAN DATA**

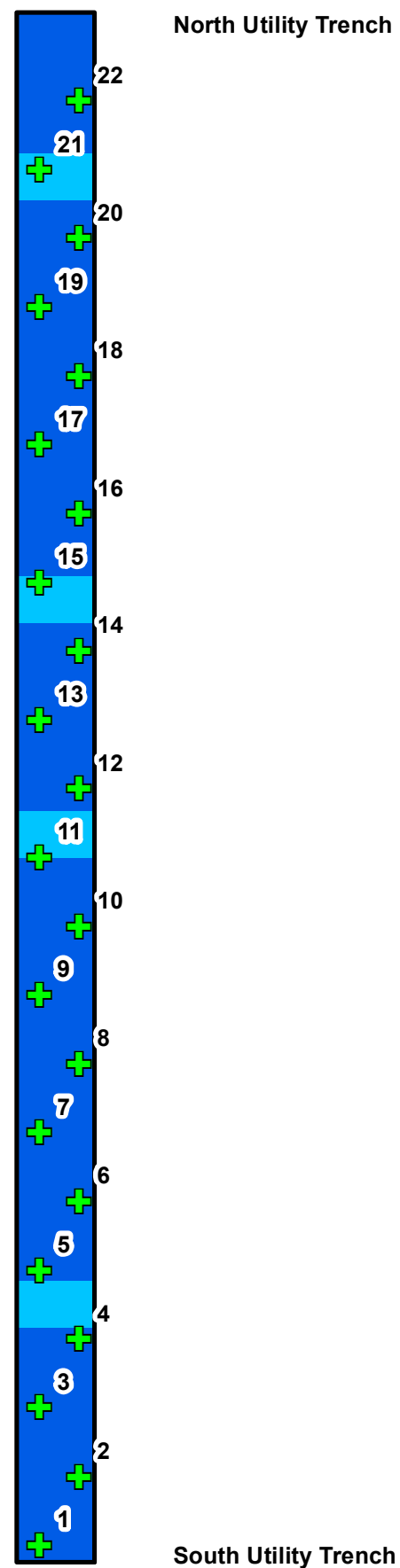
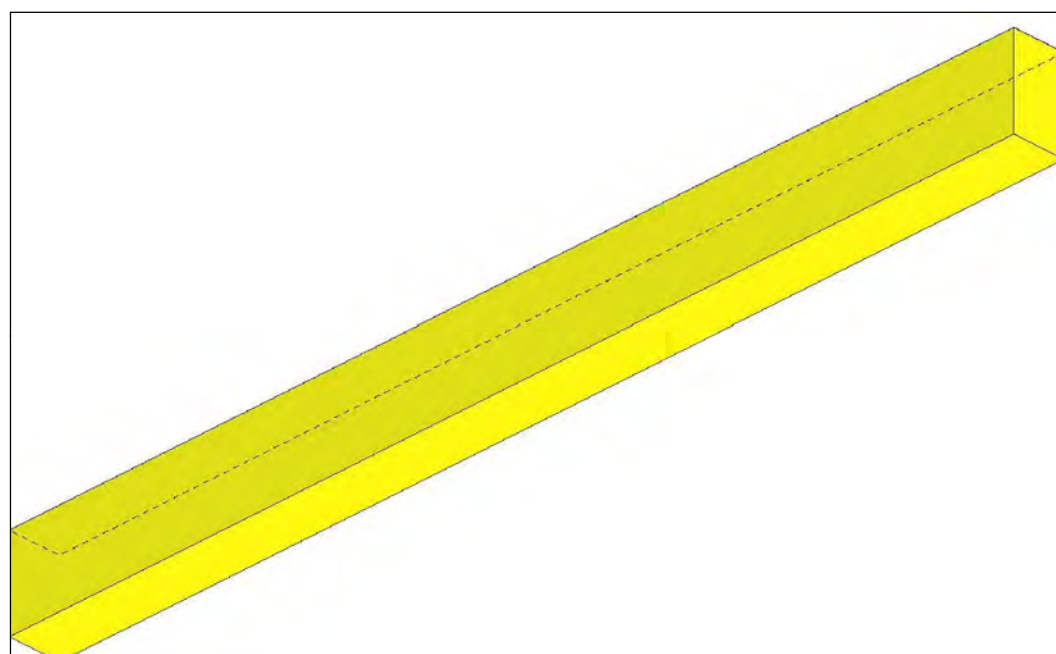
**Former UNC Facility  
New Haven  
Connecticut**

Date: Sept 2012  
Project #: New Haven  
File Name: Figure  
Prepared By: K. Wheatley

**Figure 6-23**



THREE DIMENSIONAL VIEW

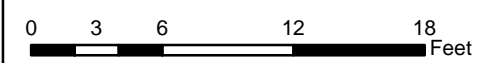


Legend

Systematic Measurement Locations

Scan Values (dpm/100 cm<sup>2</sup>)

- No Data
- < 0
- 0 - 100
- 100 - 200
- 200 - 300
- 300 - 400
- 400 - 500
- 600 - 700
- 700 - 800
- 800 - 900
- 900 - 1000
- > 1000



SURVEY UNIT 6-F1  
SOUTH TRENCH SECTION 6  
FLOOR MEASUREMENT  
LOCATIONS AND  
ALPHA SCAN DATA

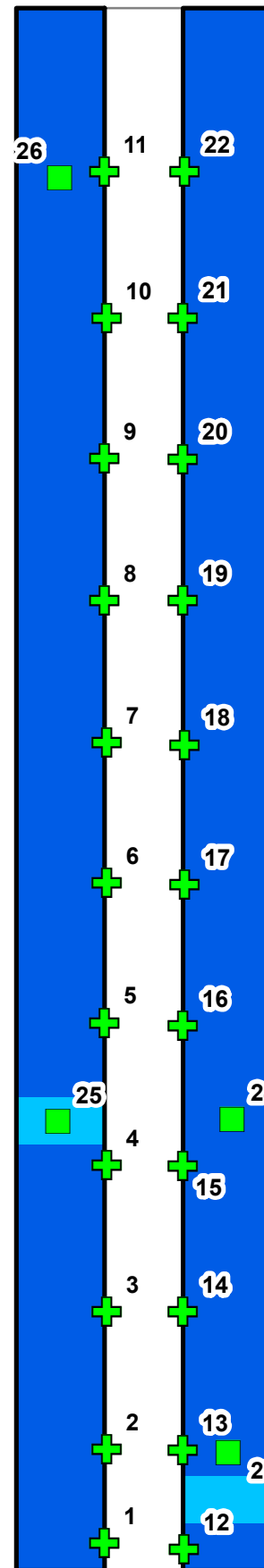
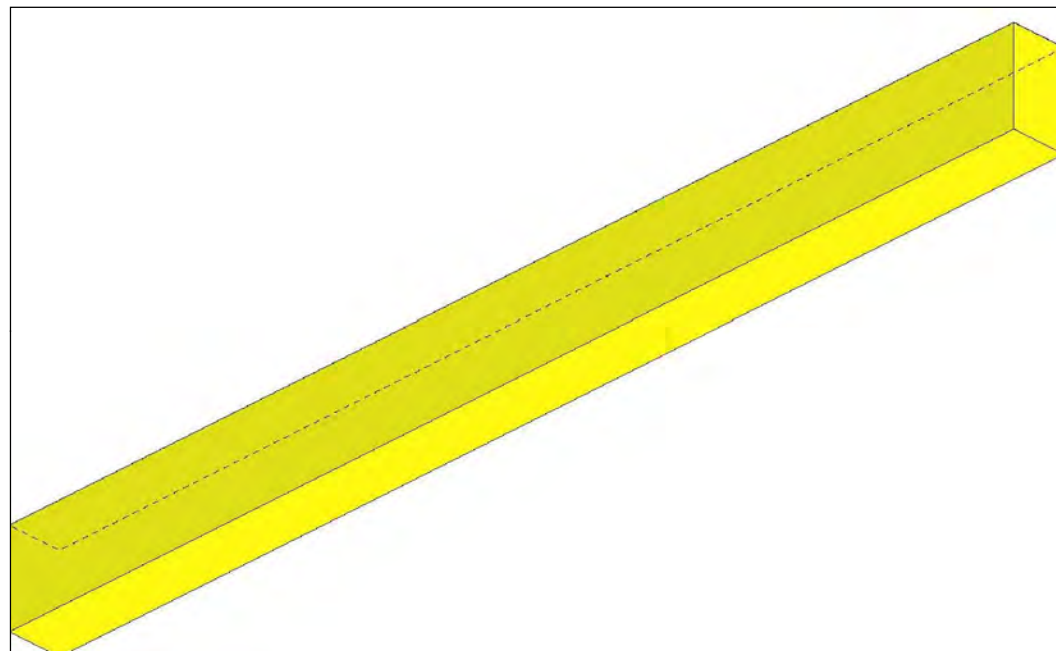
Former UNC Facility  
New Haven  
Connecticut

Date: Sept 2012  
Project #: New Haven  
File Name: Figure  
Prepared By: K. Wheatley

Figure 6-24





THREE DIMENSIONAL VIEW











North Utility Trench

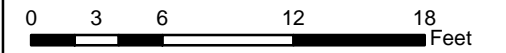
South Utility Trench

Legend

-  Systematic Measurement Locations
-  Biased Measurement Locations

Scan Values (dpm/100 cm<sup>2</sup>)

-  No Data
-  < 0
-  0 - 100
-  100 - 200
-  200 - 300
-  300 - 400
-  400 - 500
-  500 - 600
-  600 - 700
-  700 - 800
-  800 - 900
-  900 - 1000
-  > 1000



SURVEY UNIT 6-W1  
SOUTH TRENCH SECTION 6  
WALL MEASUREMENT  
LOCATIONS AND  
ALPHA SCAN DATA

Former UNC Facility  
New Haven  
Connecticut

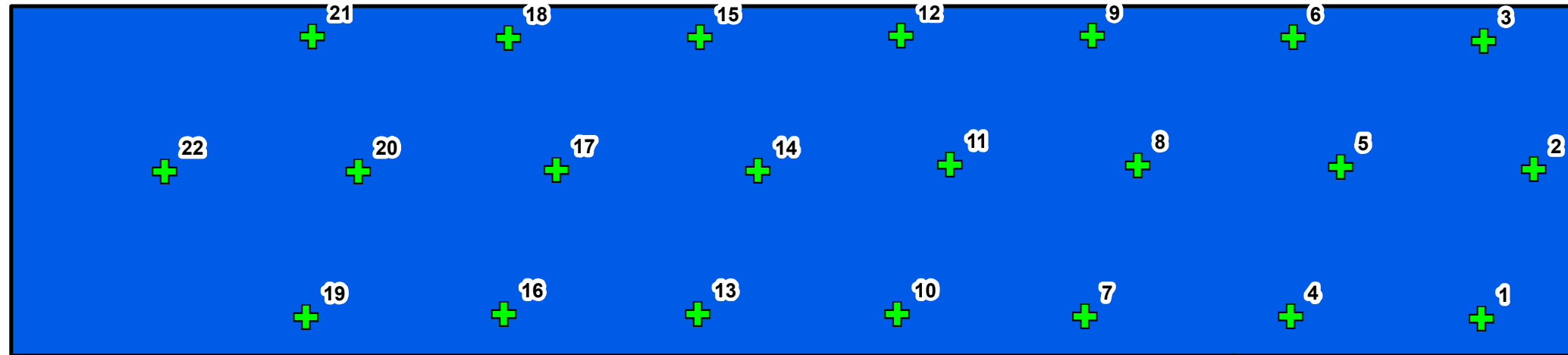
Date: Sept 2012  
Project #: New Haven  
File Name: Figure  
Prepared By: K. Wheatley

Figure 6-25

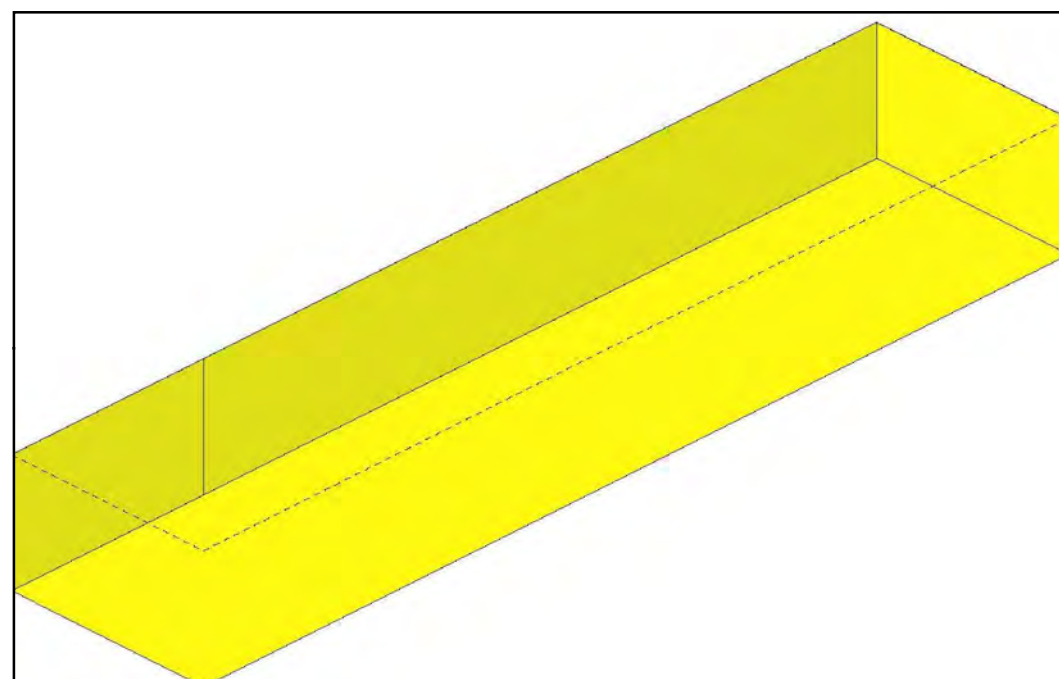


Column 16


Column 18



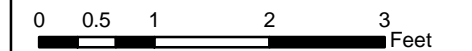
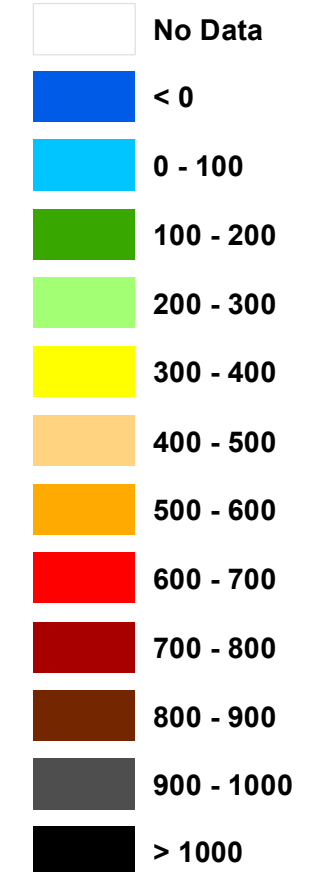
THREE DIMENSIONAL VIEW



Legend

 Systematic Measurement Locations

Scan Values (dpm/100 cm<sup>2</sup>)

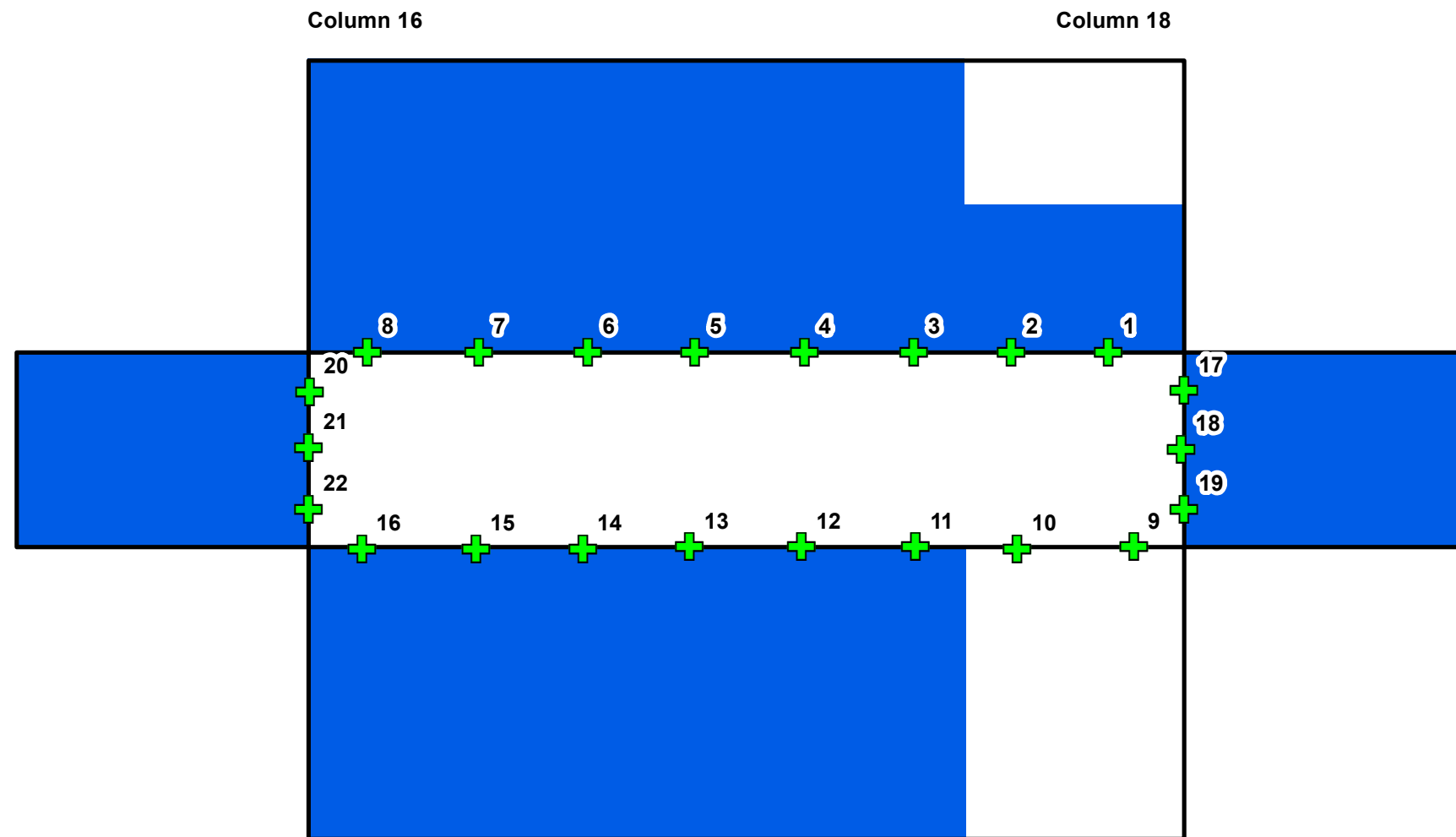


SURVEY UNIT 6-F2  
SOUTH TRENCH SECTION 6  
FLOOR MEASUREMENT  
LOCATIONS AND  
ALPHA SCAN DATA

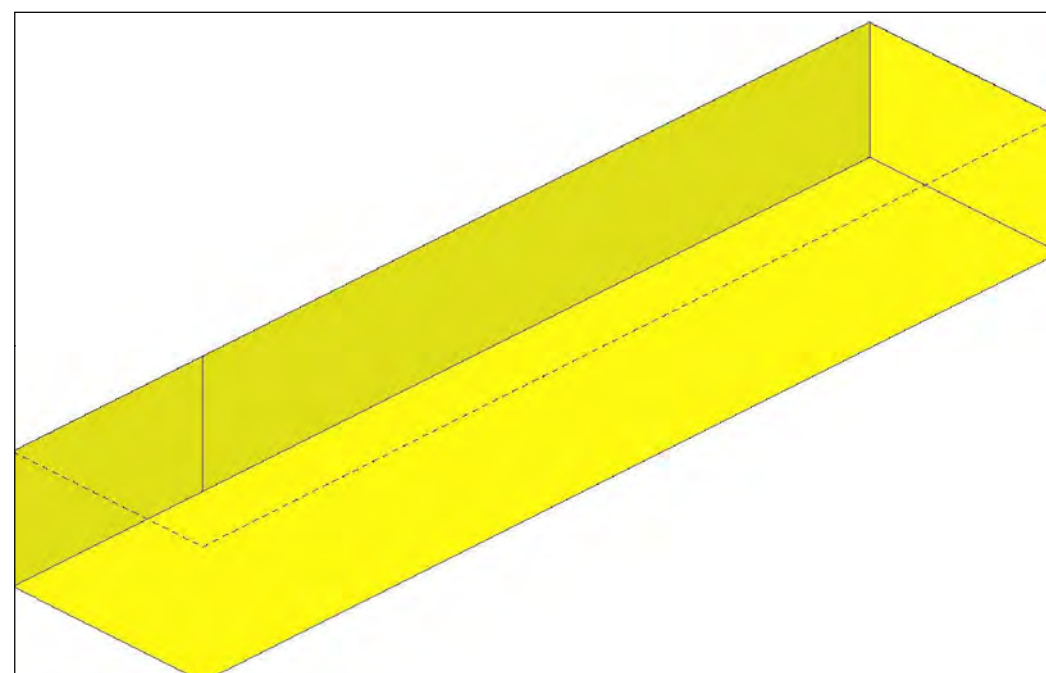
Former UNC Facility  
New Haven  
Connecticut

Date: Sept 2012  
Project #: New Haven  
File Name: Figure  
Prepared By: K. Wheatley

Figure 6-26



THREE DIMENSIONAL VIEW

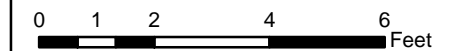


**Legend**

Systematic Measurement Locations

**Scan Values (dpm/100 cm<sup>2</sup>)**

- No Data
- < 0
- 0 - 100
- 100 - 200
- 200 - 300
- 300 - 400
- 400 - 500
- 500 - 600
- 600 - 700
- 700 - 800
- 800 - 900
- 900 - 1000
- > 1000



**SURVEY UNIT 6-W2  
SOUTH TRENCH SECTION 6  
WALL MEASUREMENT  
LOCATIONS AND  
ALPHA SCAN DATA**

**Former UNC Facility  
New Haven  
Connecticut**

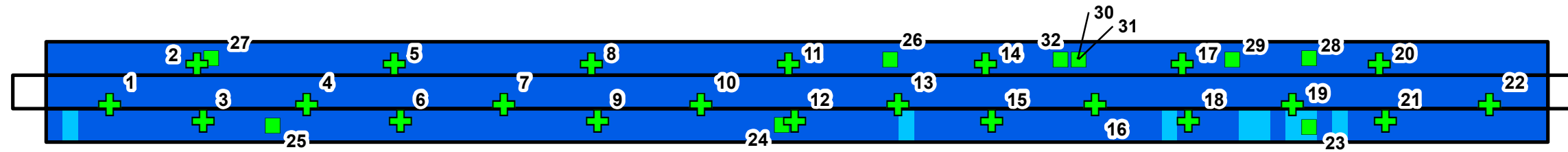
Date: Sept 2012  
Project #: New Haven  
File Name: Figure  
Prepared By: K. Wheatley

**Figure 6-27**

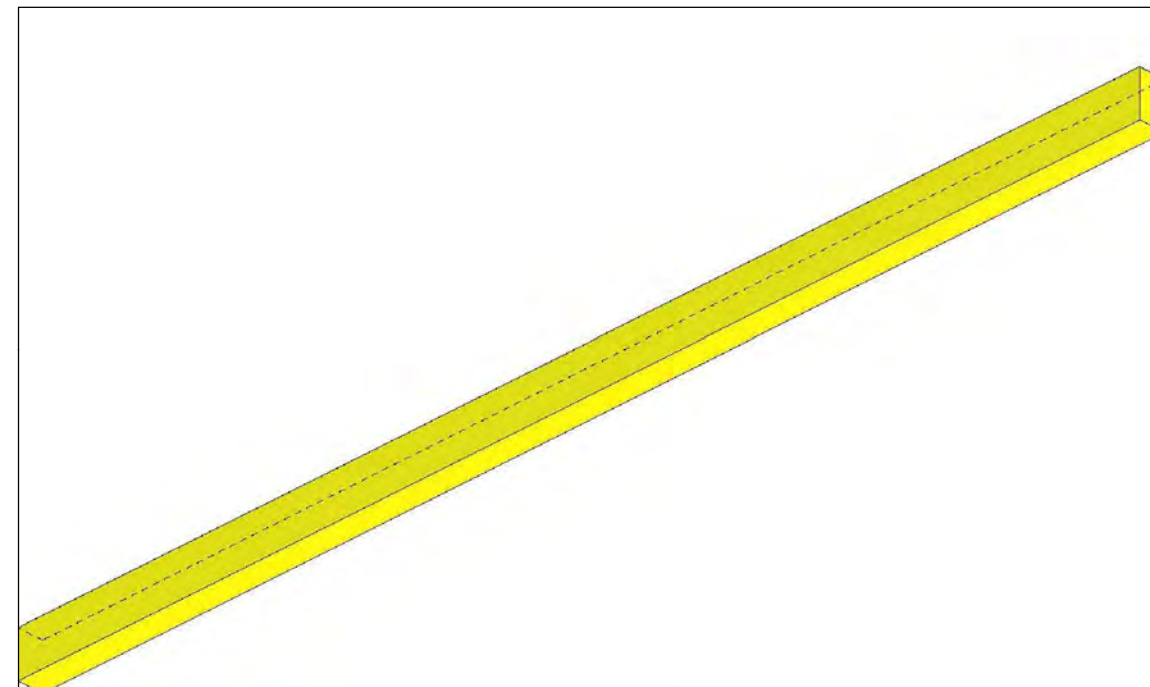


Column 4

Column 16



THREE DIMENSIONAL VIEW

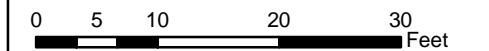
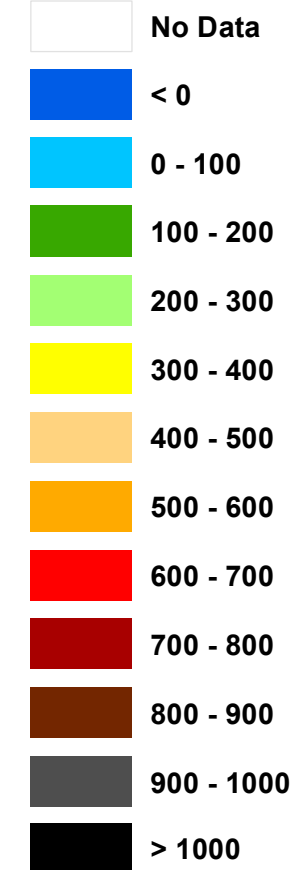


Legend

+ Systematic Measurement Locations

■ Biased Measurement Locations

Scan Values (dpm/100 cm<sup>2</sup>)



SURVEY UNIT 6-FW1  
SOUTH TRENCH SECTION 6  
FLOOR MEASUREMENT  
LOCATIONS AND  
ALPHA SCAN DATA

Former UNC Facility  
New Haven  
Connecticut

Date: Sept 2012

Project #: New Haven

File Name: Figure

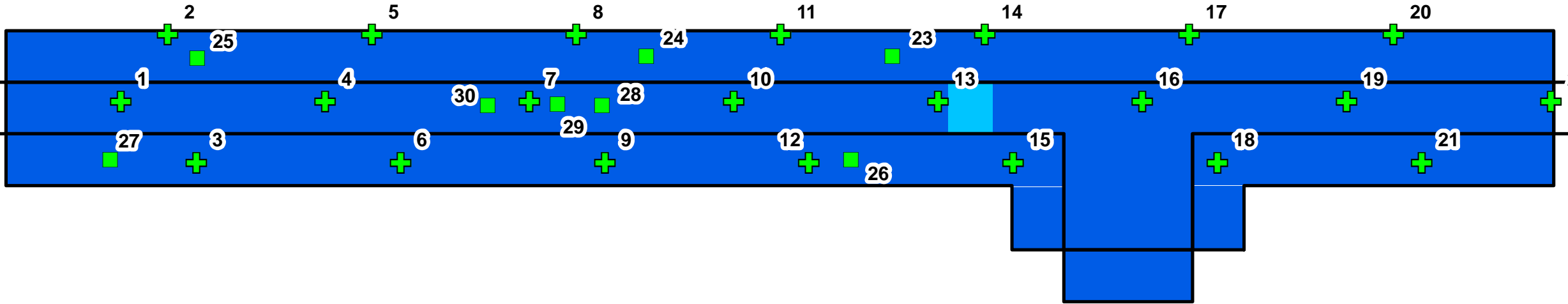
Prepared By: K. Wheatley

Figure 6-28

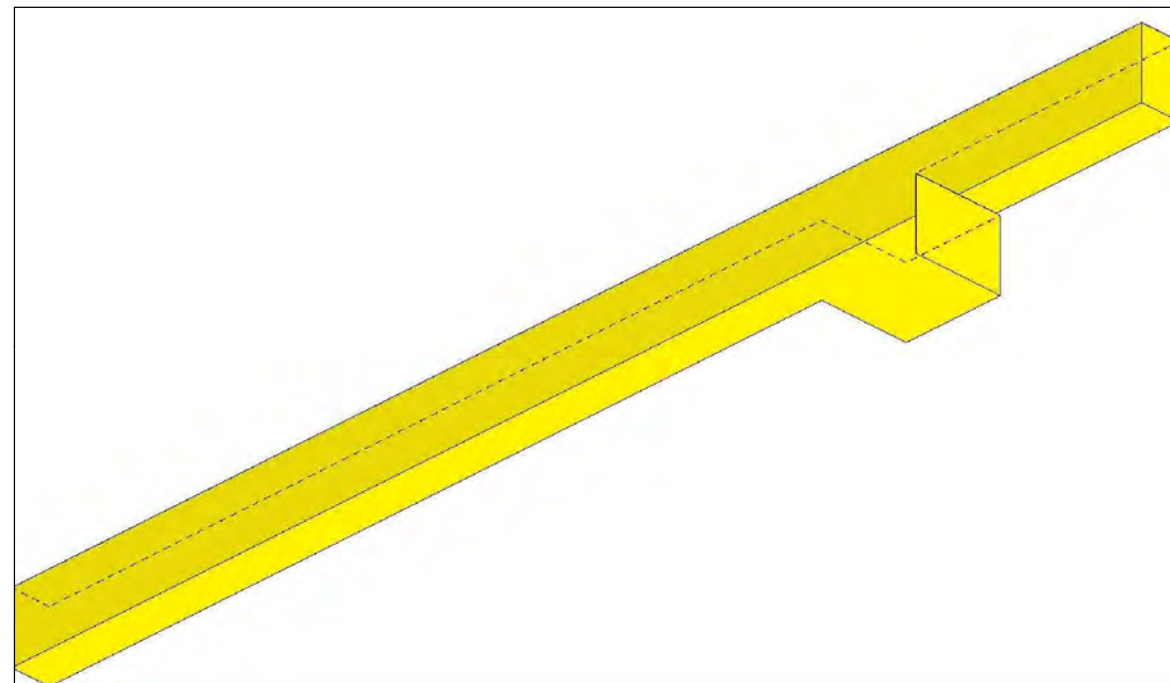


Column 18

Column 26



THREE DIMENSIONAL VIEW

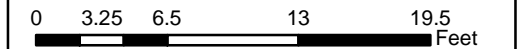
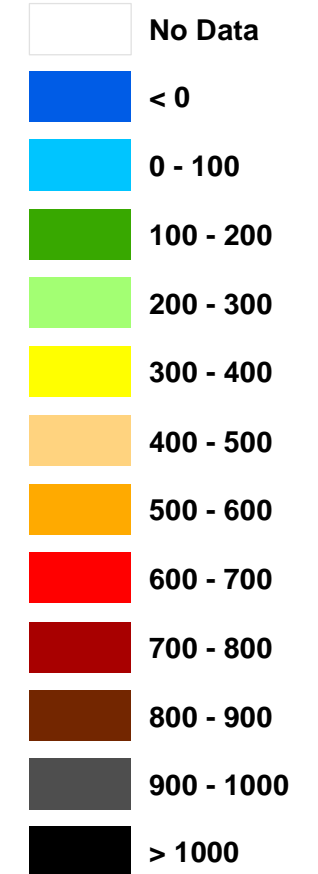


Legend

+ Systematic Measurement Locations

■ Biased Measurement Locations

Scan Values (dpm/100 cm<sup>2</sup>)



SURVEY UNIT 6-FW2  
SOUTH TRENCH SECTION 6  
FLOOR MEASUREMENT  
LOCATIONS AND  
ALPHA SCAN DATA

Former UNC Facility  
New Haven  
Connecticut

Date: Sept 2012  
Project #: New Haven  
File Name: Figure  
Prepared By: K. Wheatley

Figure 6-29

