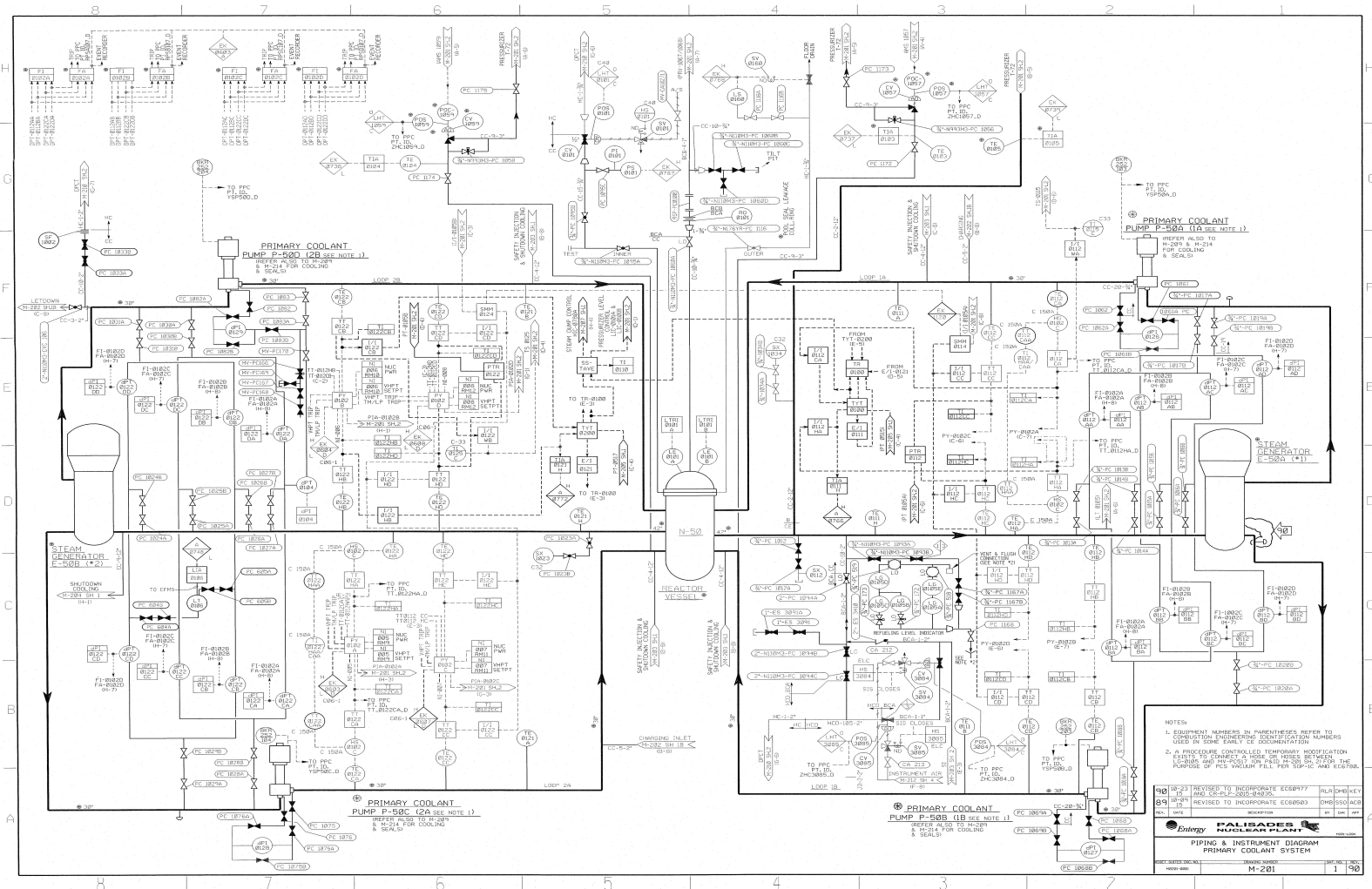
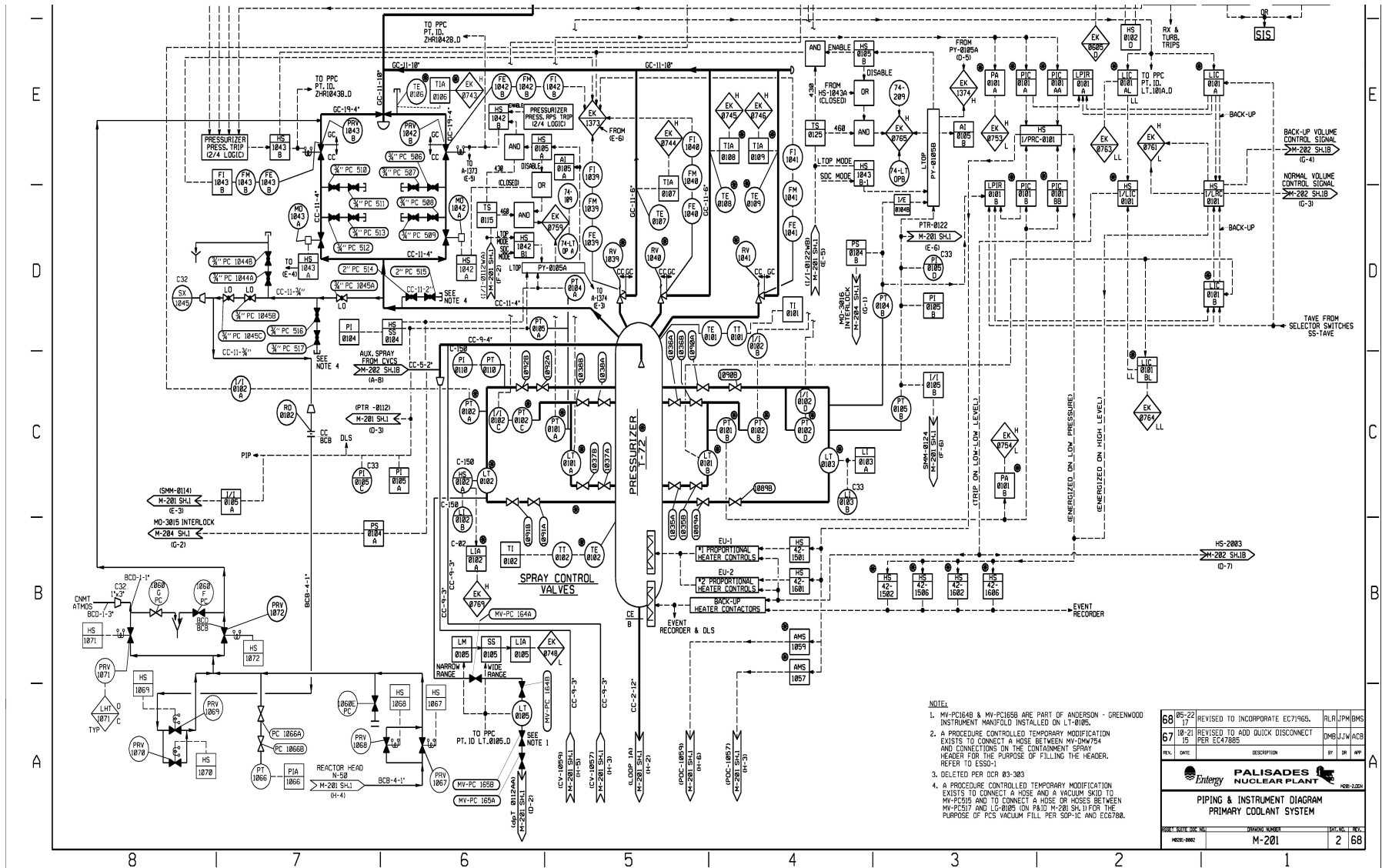


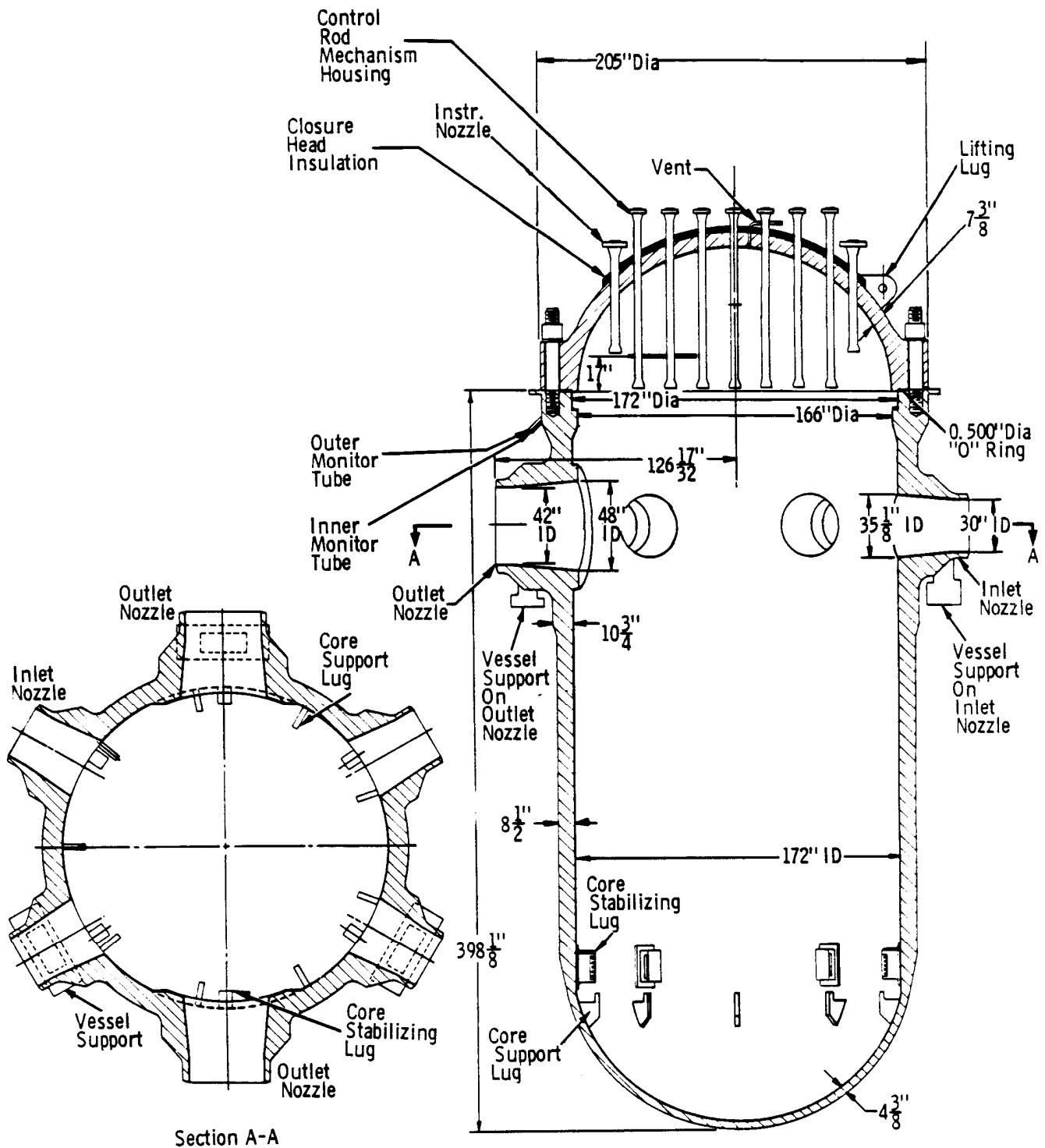
PIPING AND INSTRUMENTATION DIAGRAM  
PRIMARY COOLANT SYSTEM



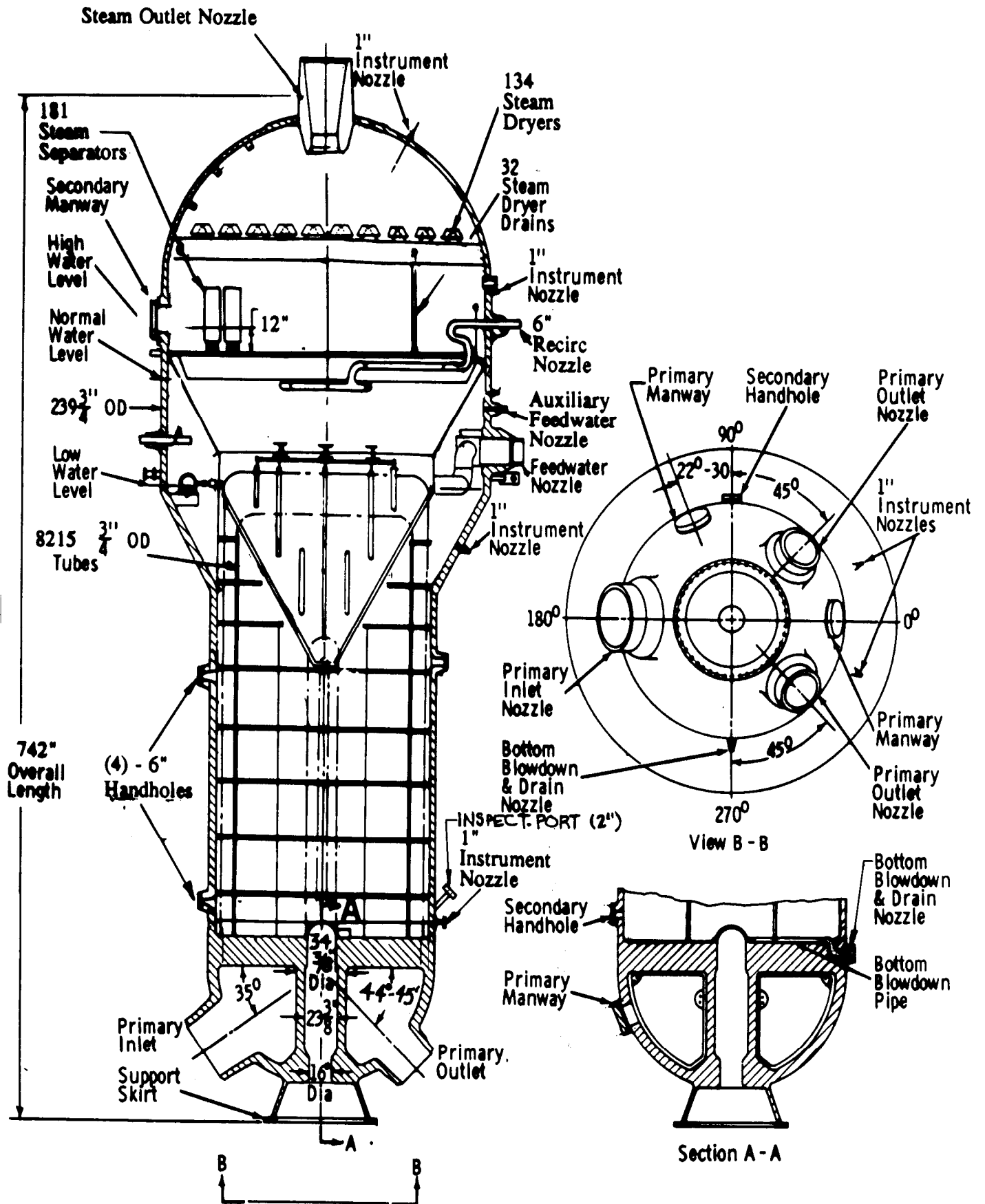
PIPING AND INSTRUMENTATION DIAGRAM  
PRIMARY COOLANT SYSTEM



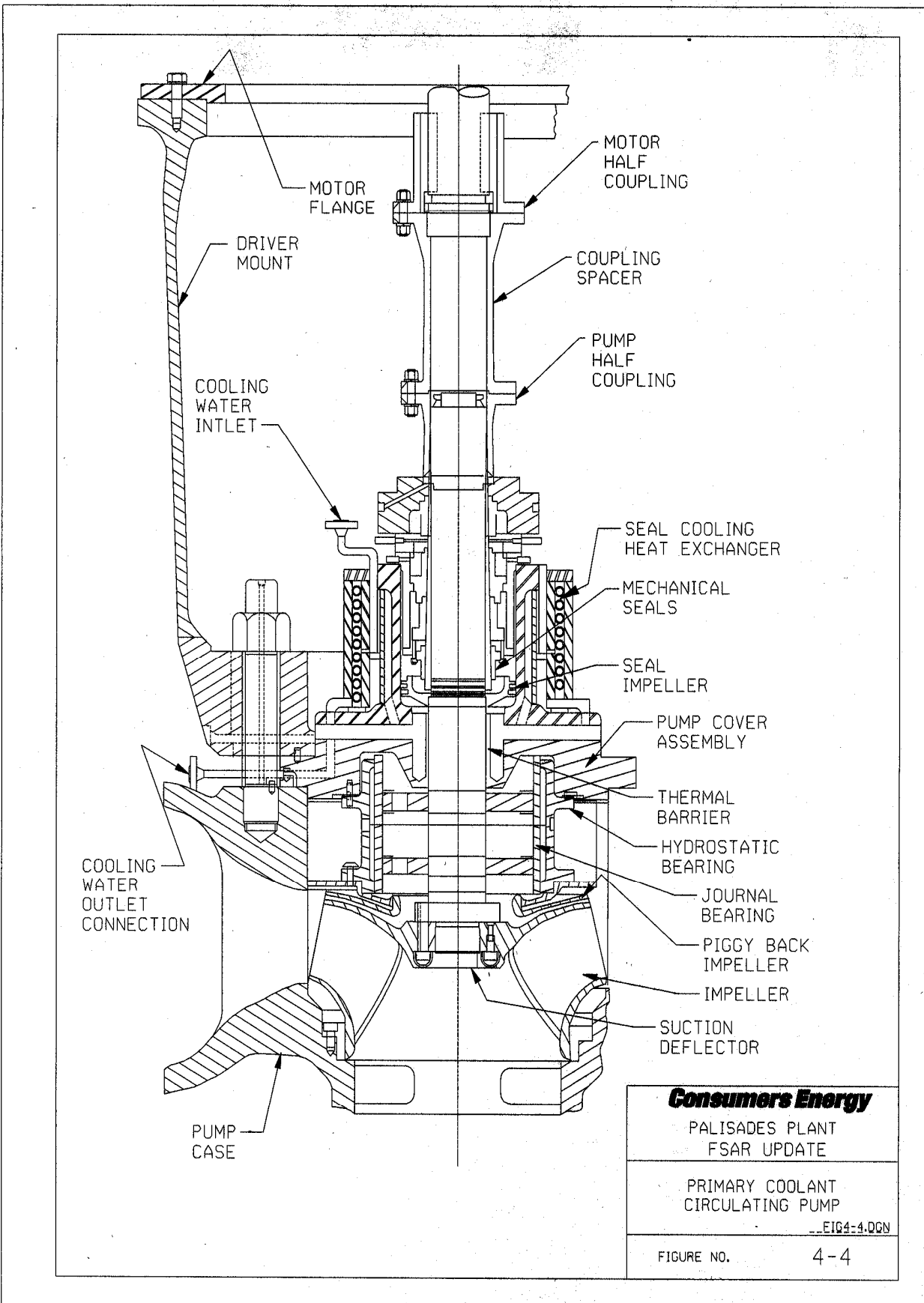
REACTOR VESSEL



STEAM GENERATOR

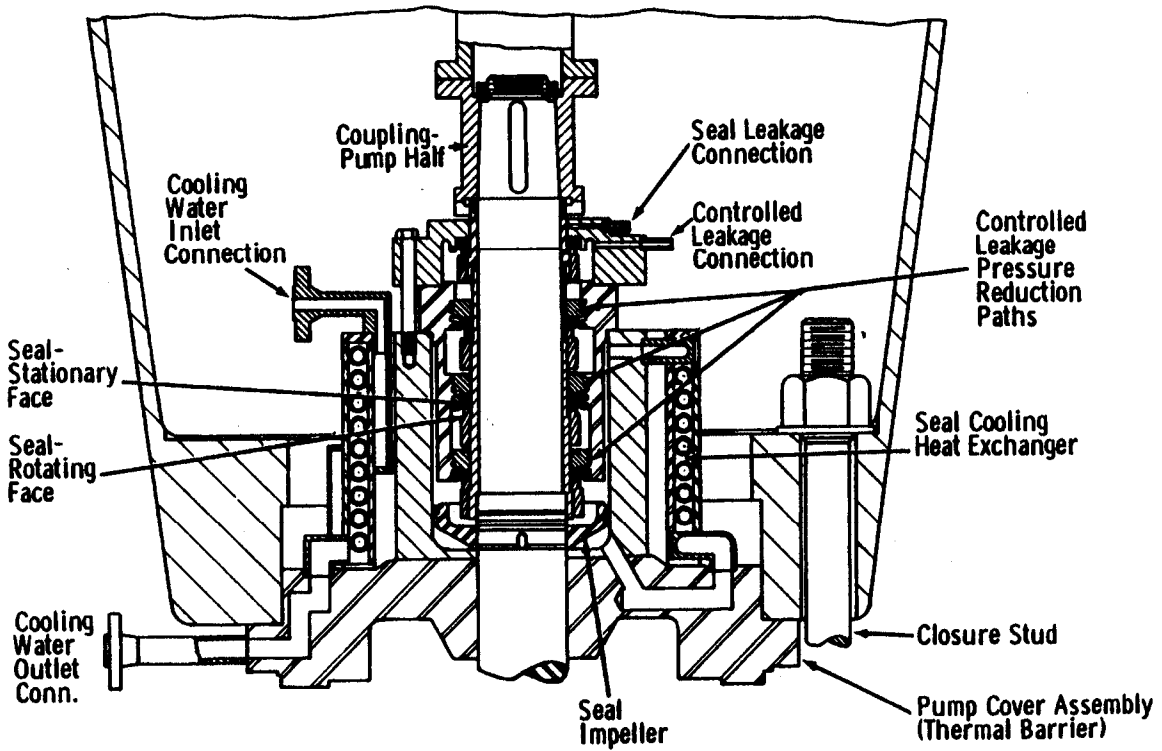


PRIMARY COOLANT CIRCULATING PUMP

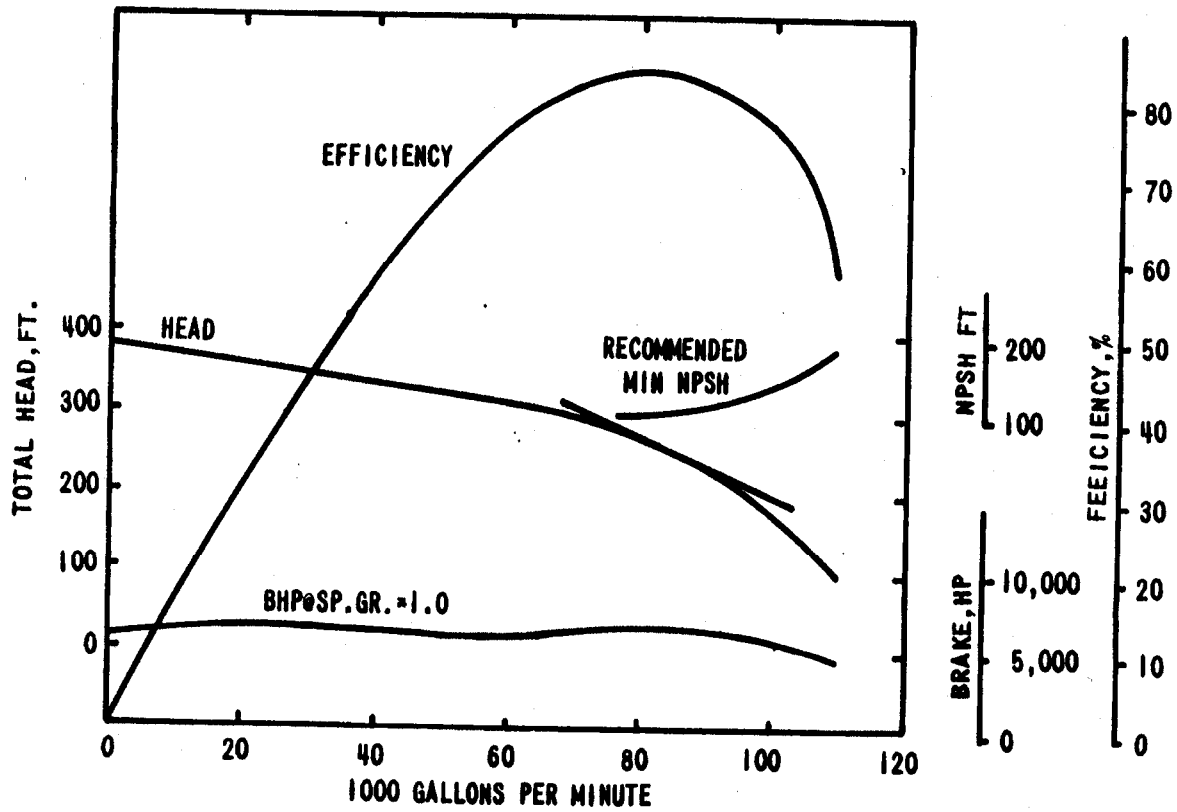


<b>Consumers Energy</b>	
PALISADES PLANT FSAR UPDATE	
PRIMARY COOLANT CIRCULATING PUMP ...EIG4-4.DGN	
FIGURE NO.	4-4

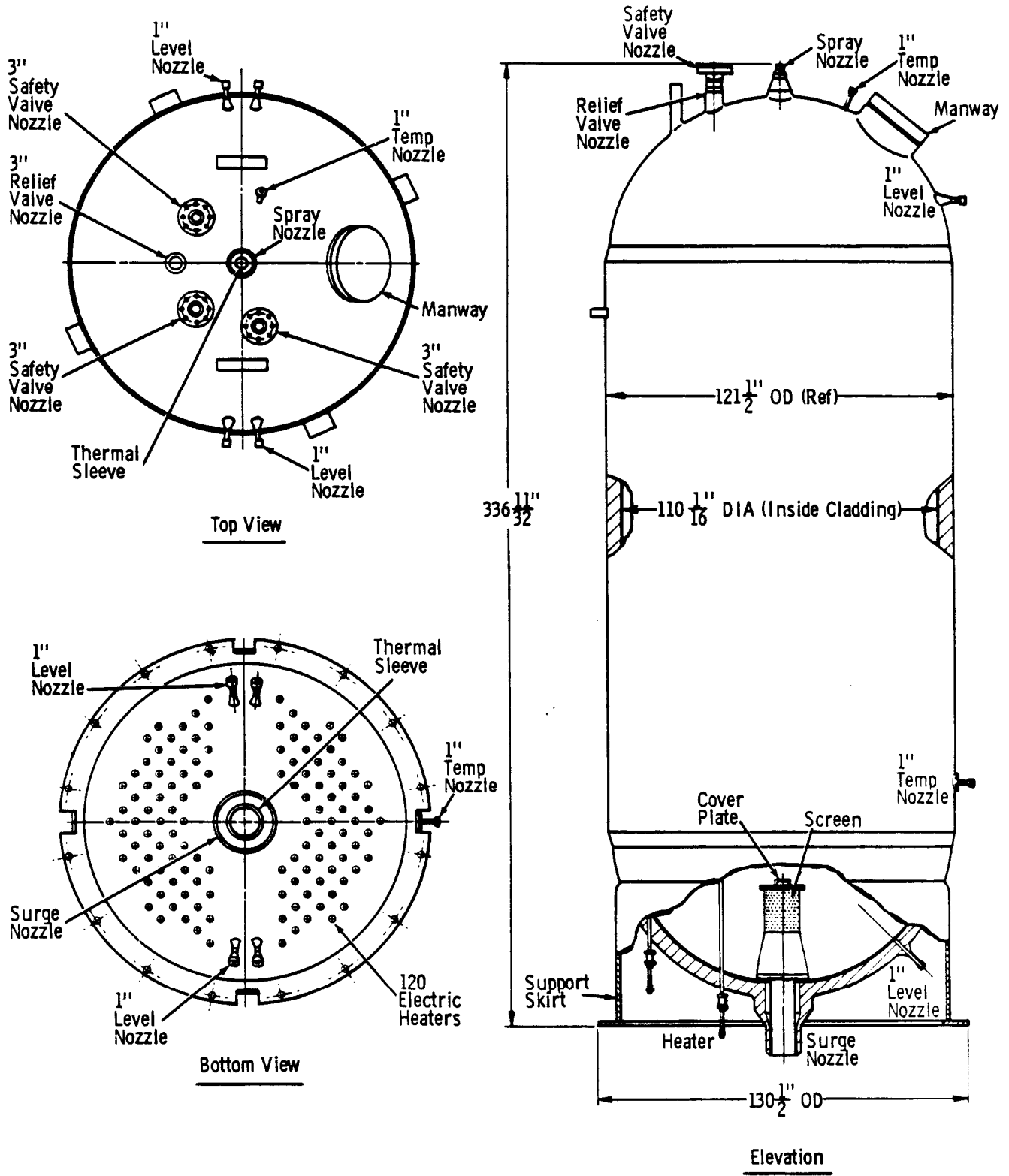
ENLARGED VIEW OF PUMP SEAL AREA



PRIMARY COOLANT PUMP CHARACTERISTICS CURVE

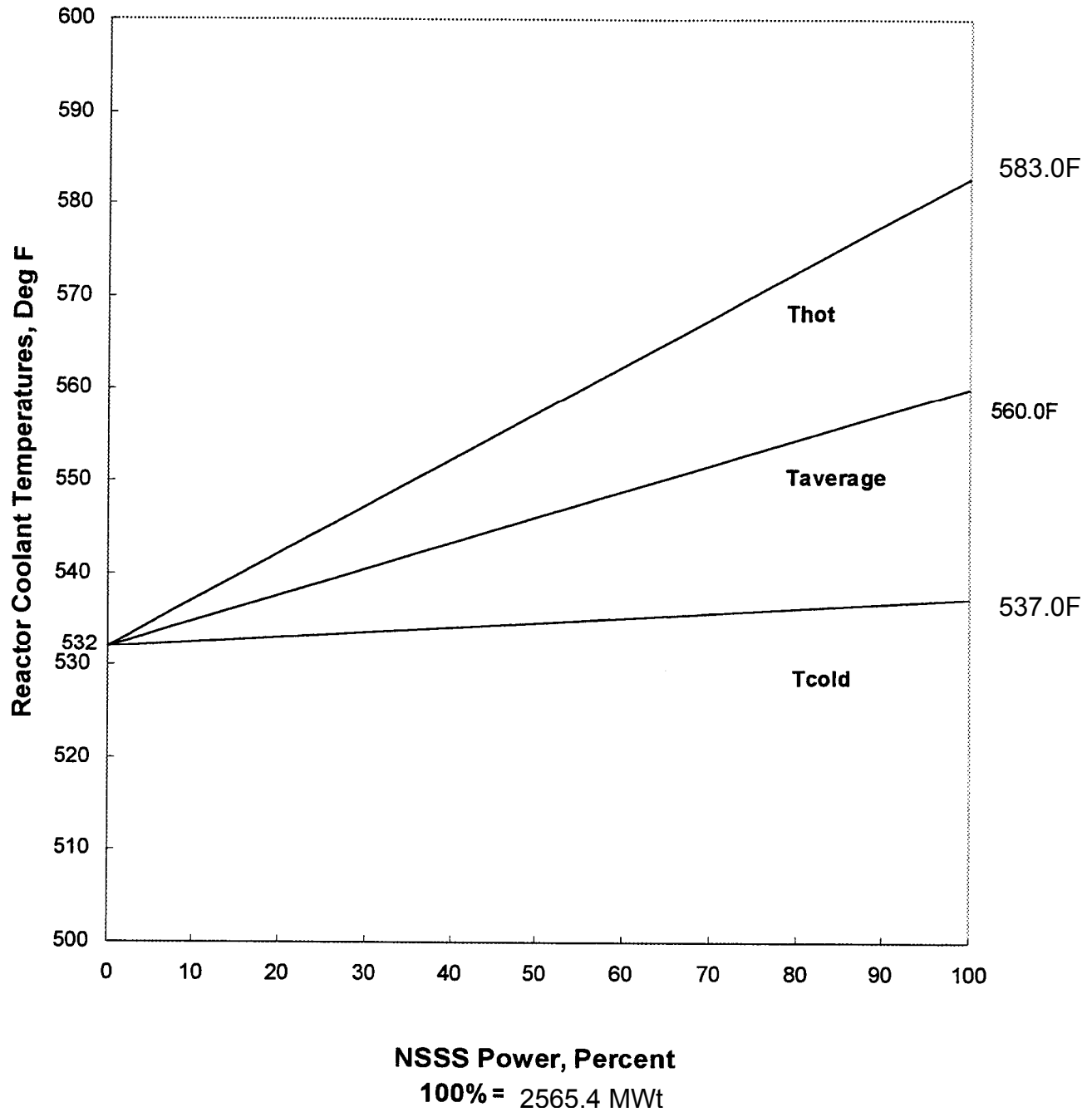


PRESSURIZER

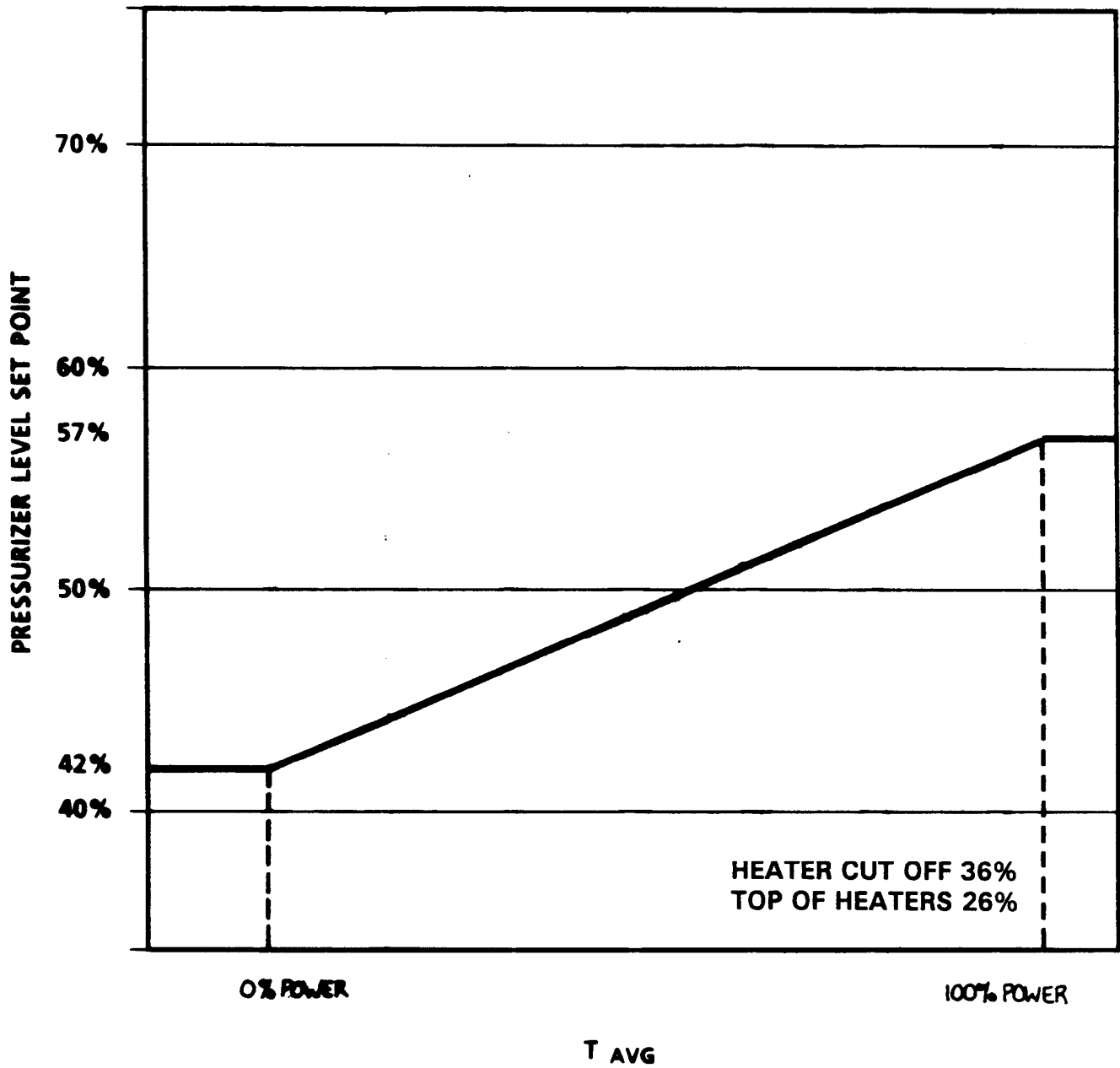




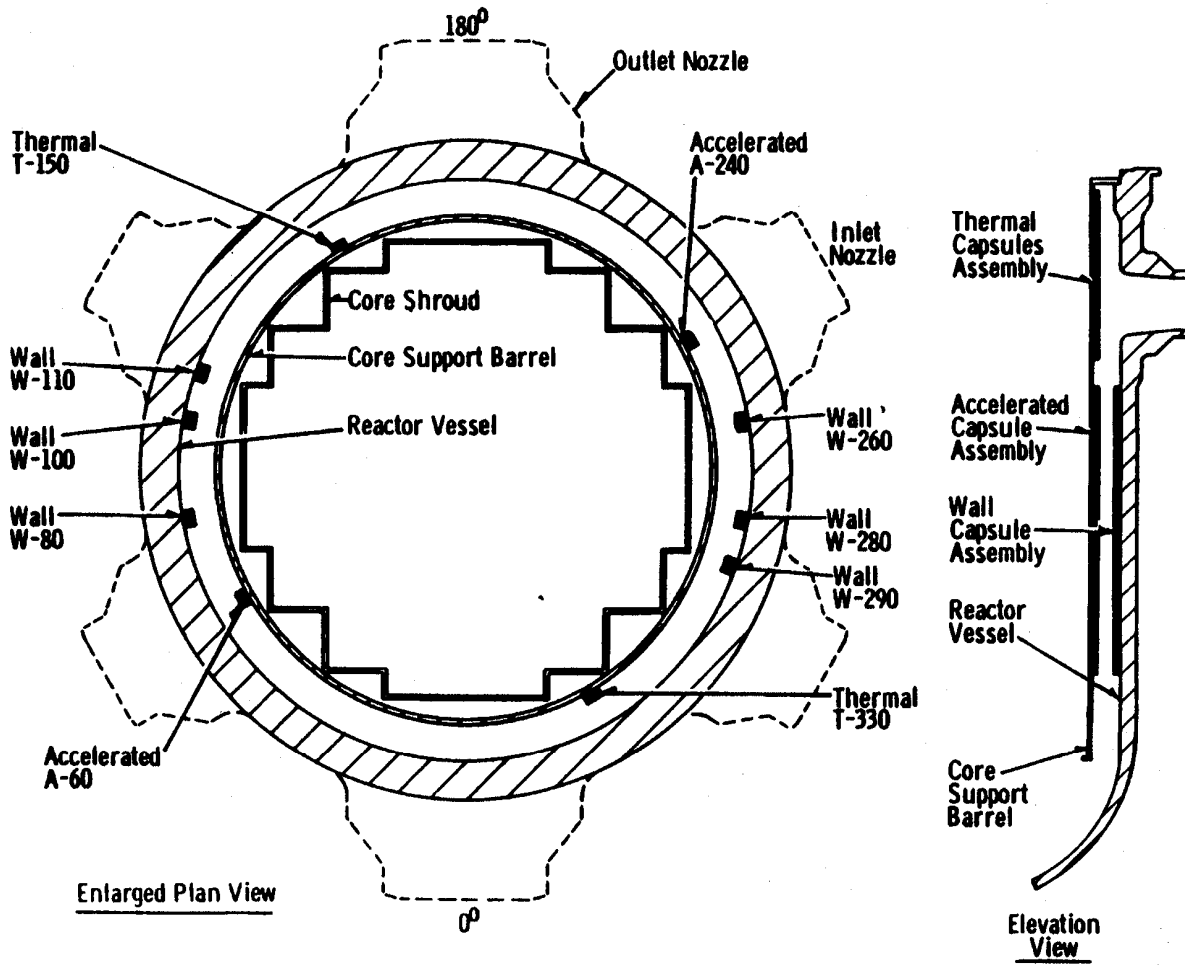
TEMPERATURE CONTROL PROGRAM



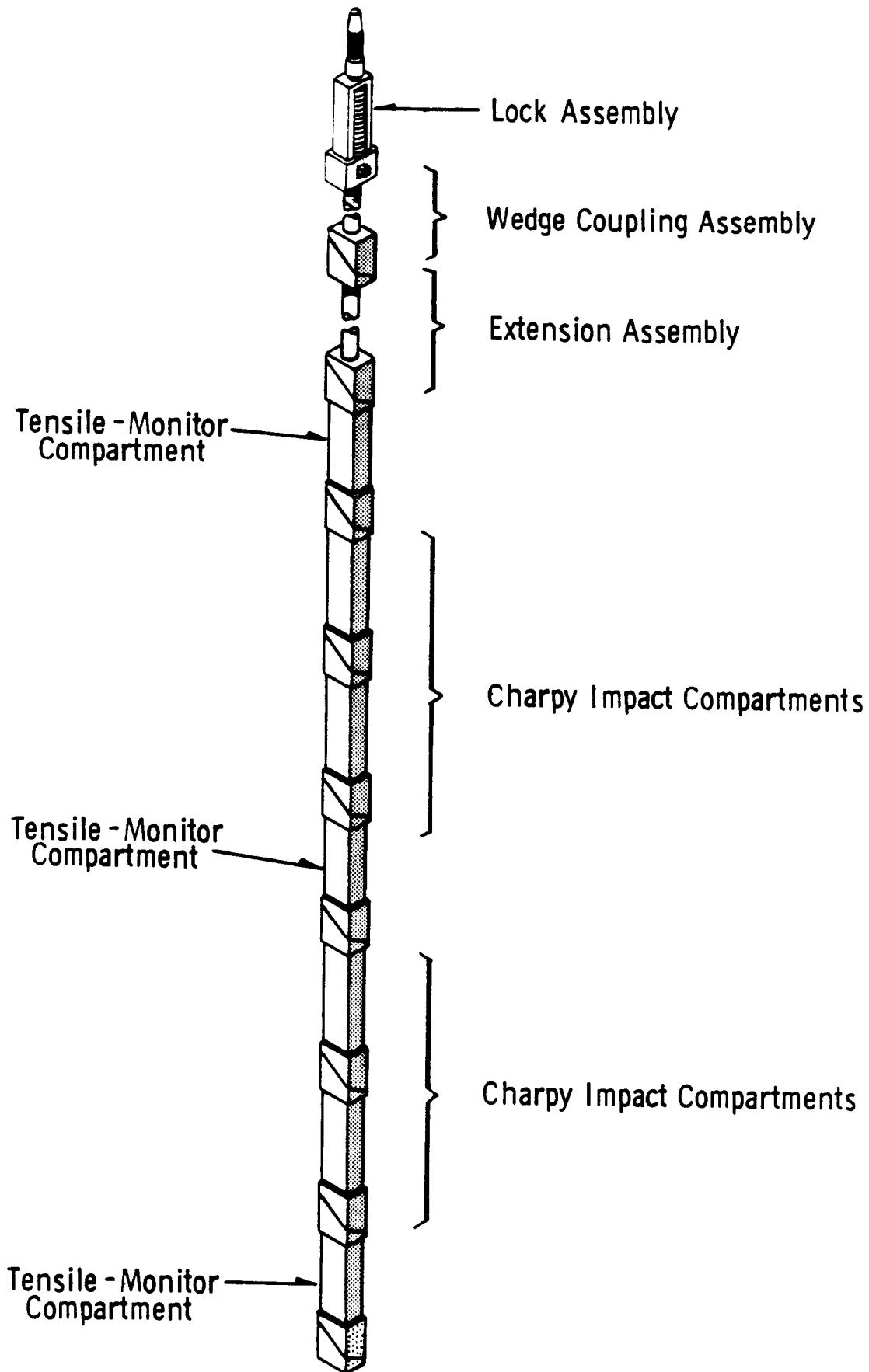
PRESSURIZER LEVEL SETPOINT VS  $T_{AVG}$



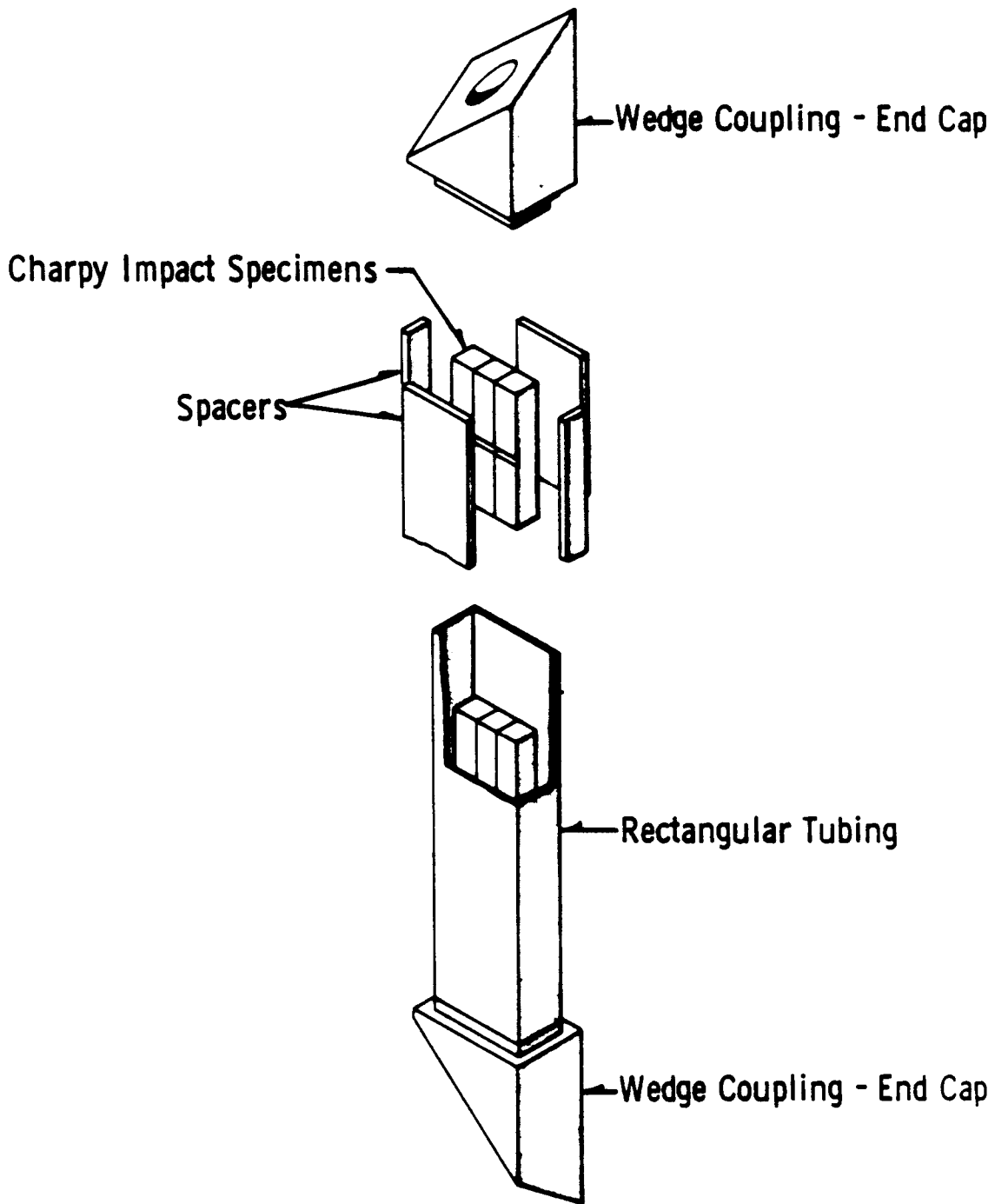
LOCATION OF SURVEILLANCE CAPSULE ASSEMBLIES



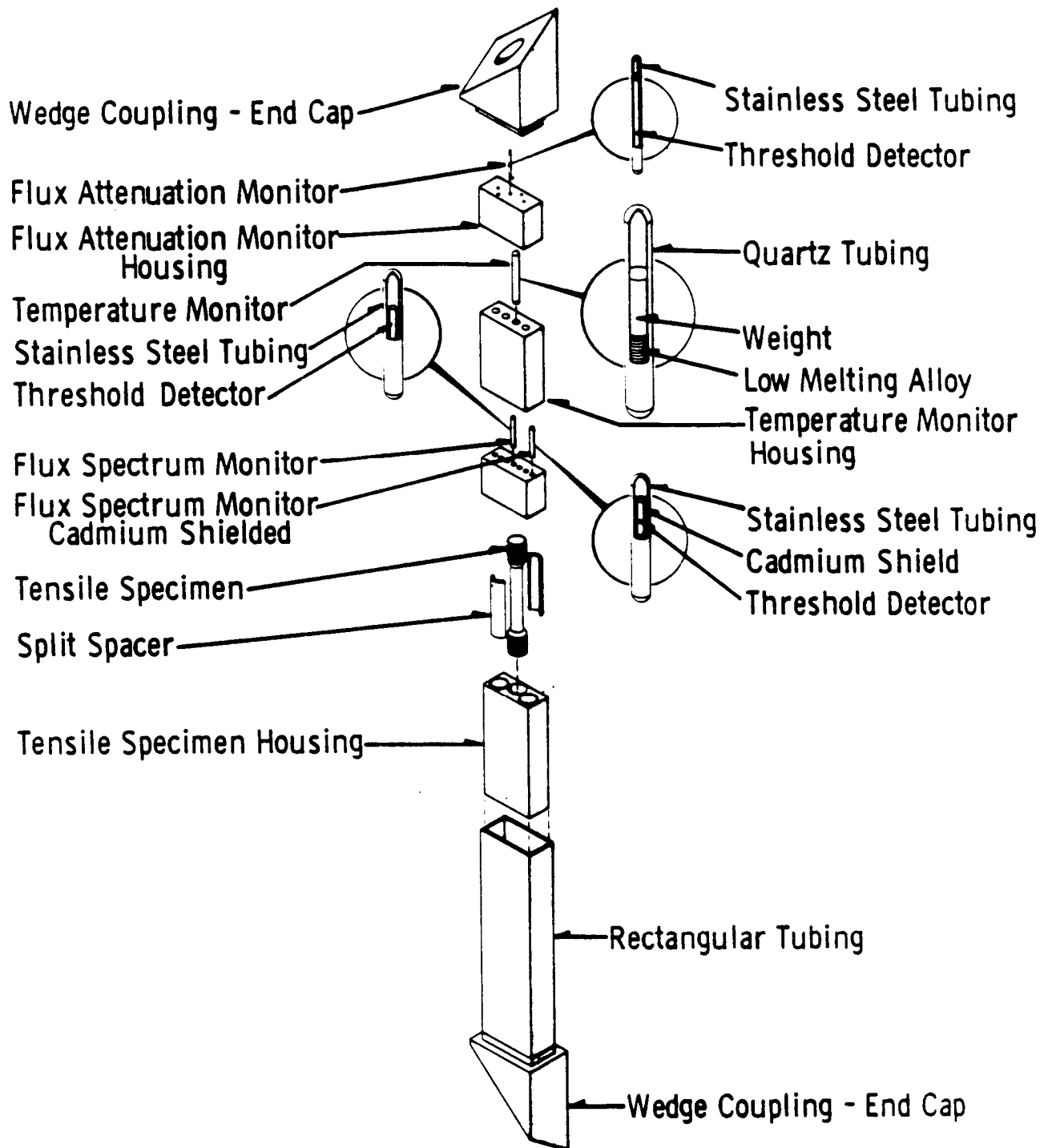
TYPICAL SURVEILLANCE CAPSULE ASSEMBLY



TYPICAL CHARPY IMPACT COMPARTMENT ASSEMBLY



TYPICAL TENSILE - MONITOR COMPARTMENT ASSEMBLY



VARIABLE LTOP SETPOINTS

