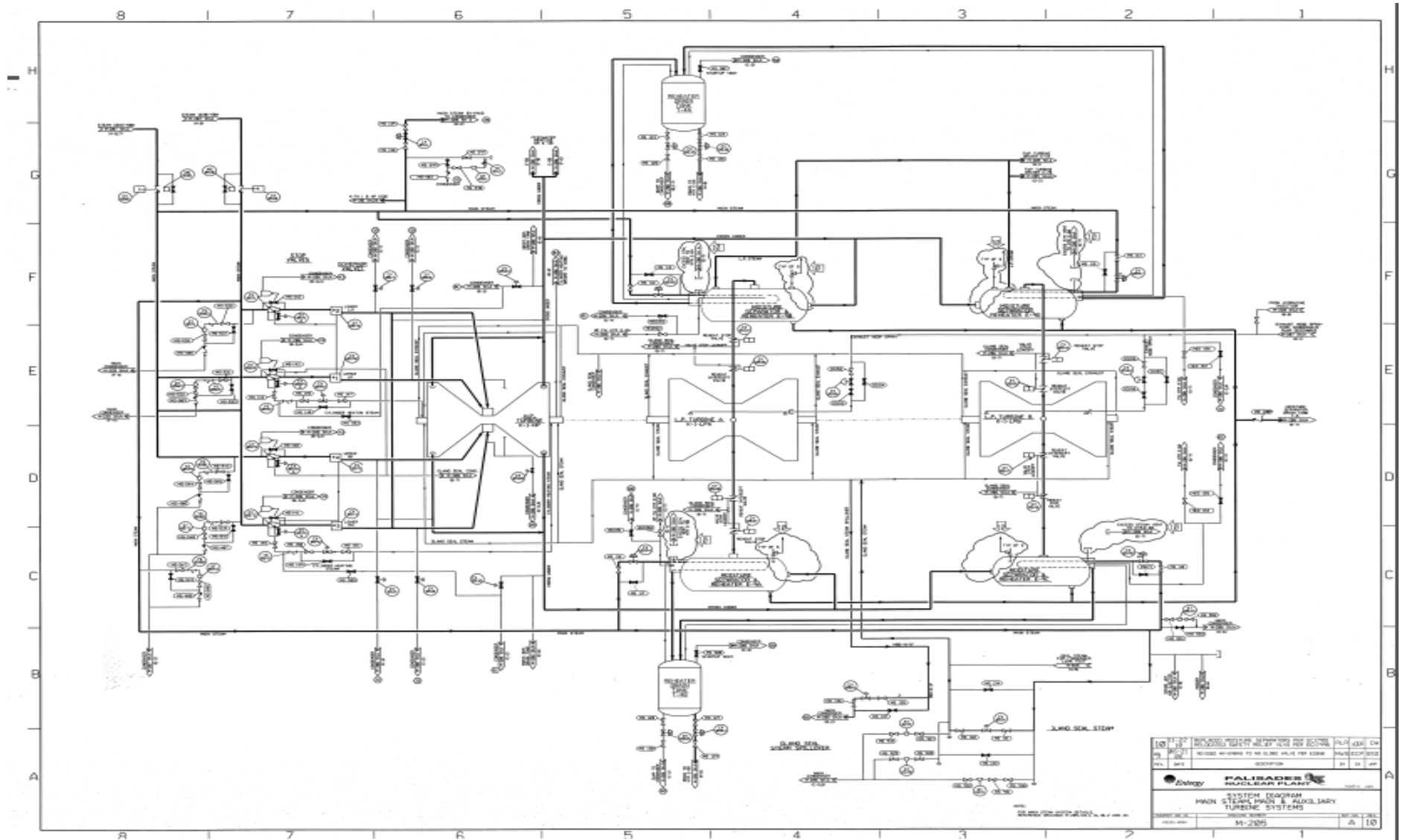
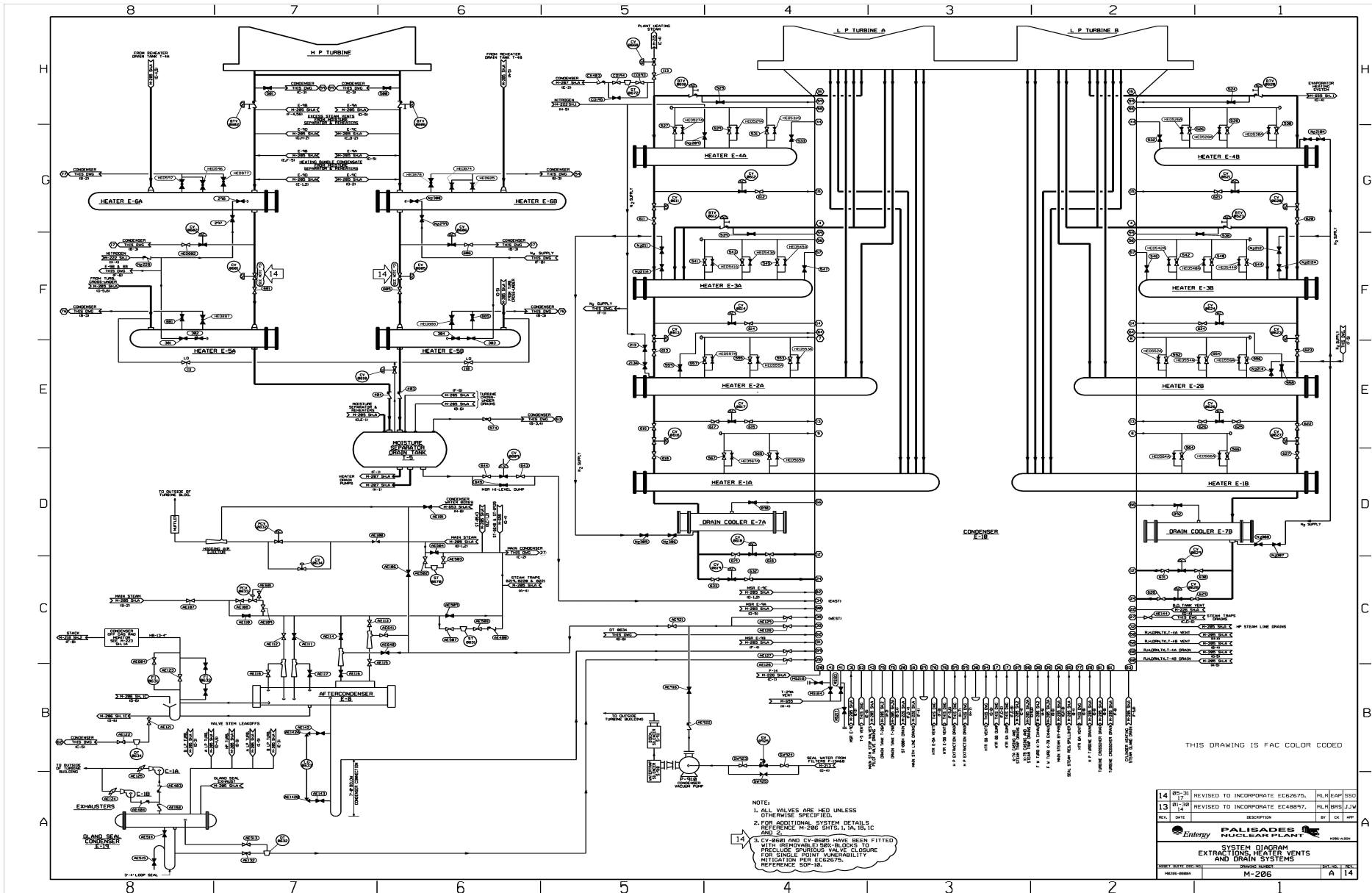


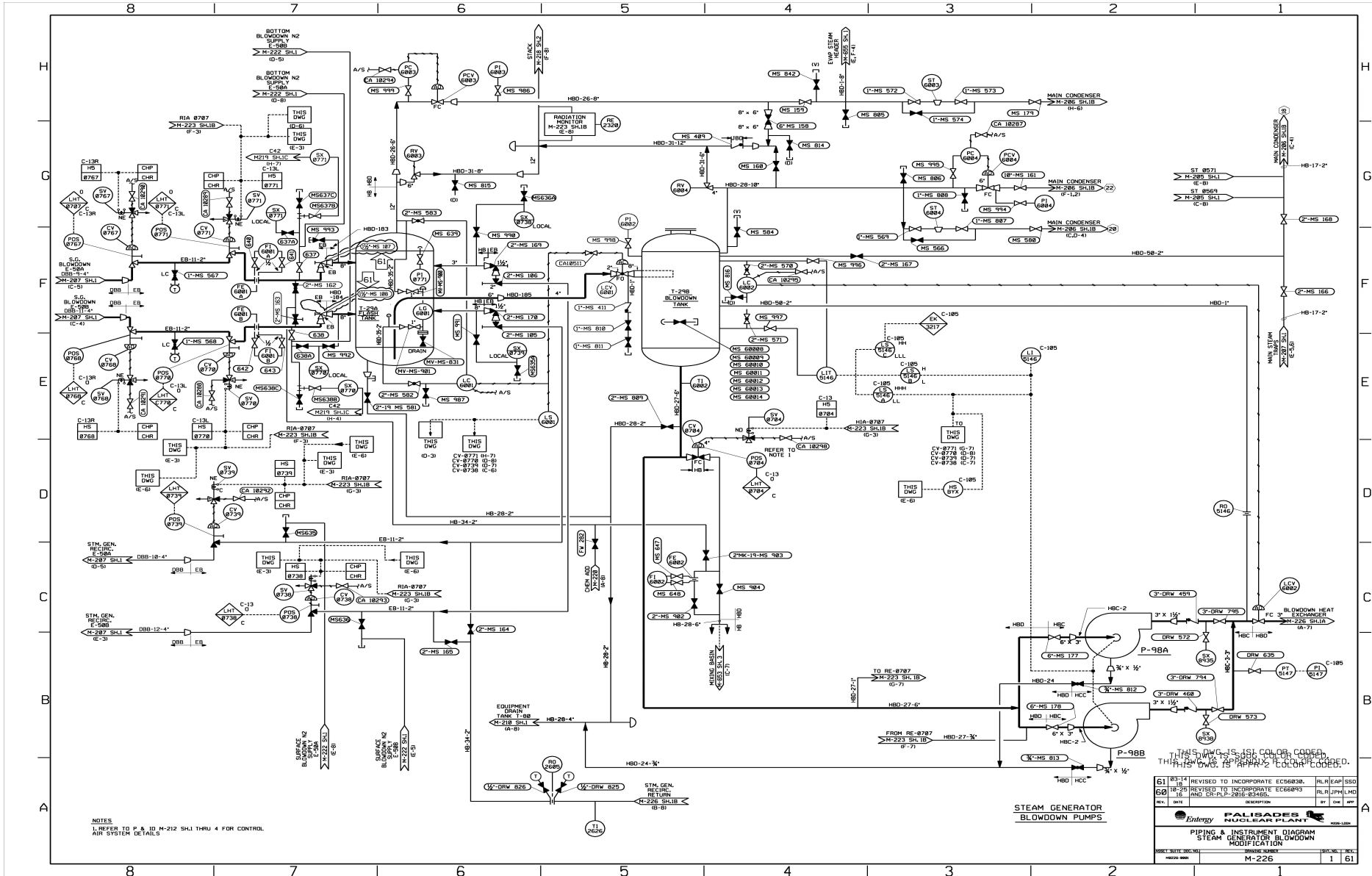
**SYSTEM DIAGRAM**  
**MAIN STEAM, MAIN AND AUXILIARY TURBINE SYSTEMS**



**SYSTEM DIAGRAM**  
**EXTRACTIONS, HEATER VENTS AND DRAIN SYSTEMS**

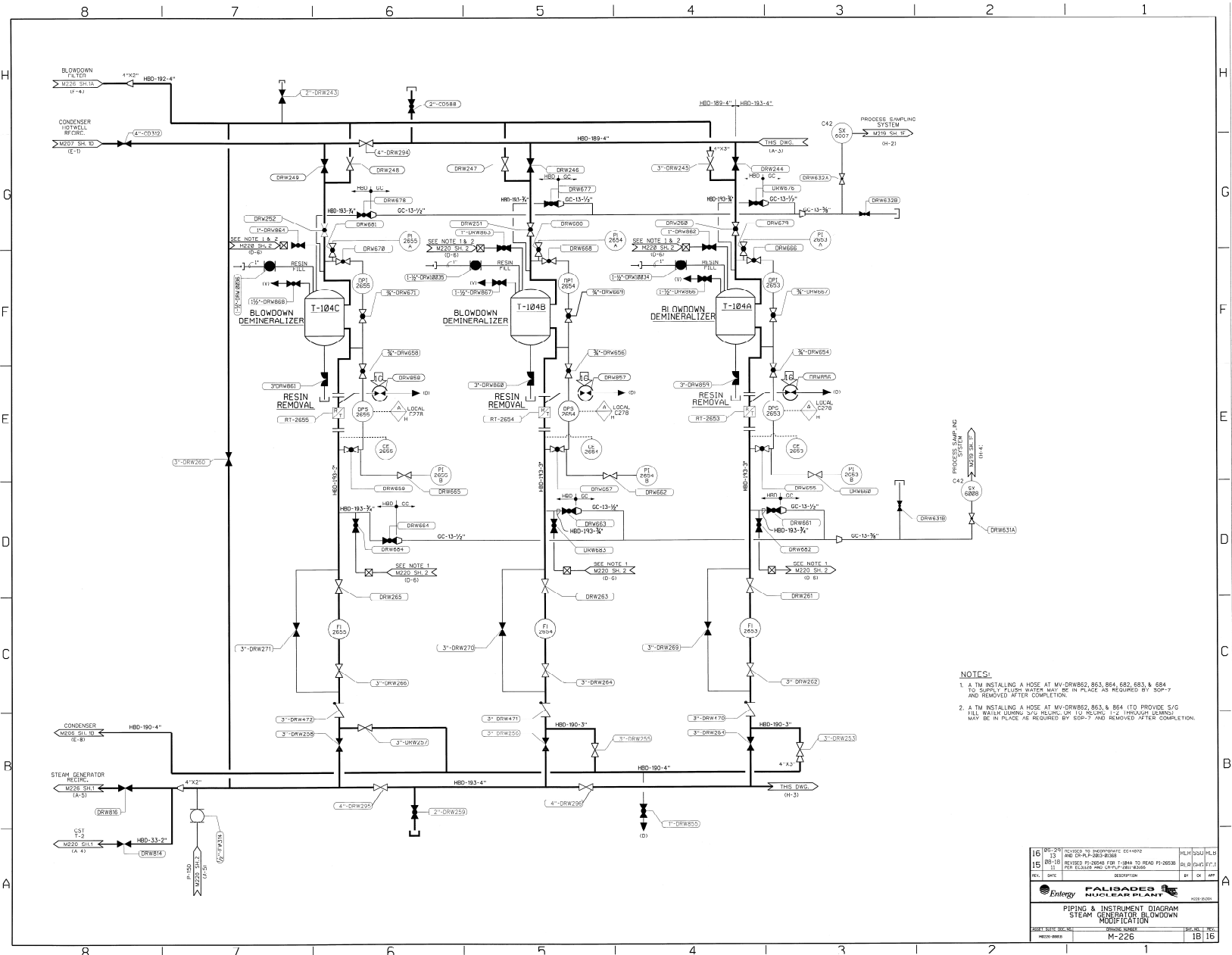


PIPING AND INSTRUMENT DIAGRAM  
STEAM GENERATOR BLOWDOWN MODIFICATION





PIPING AND INSTRUMENT DIAGRAM  
STEAM GENERATOR BLOWDOWN MODIFICATION



- NOTES:**
1. A TM INSTALLING A HOSE AT MV-DRW650, 653, 654, 682, 683, & 684 TO SUPPLY FLUSH WATER MAY BE IN PLACE AS REQUIRED BY SOP-7 AND REMOVED AFTER COMPLETION.
  2. A TM INSTALLING A HOSE AT MV-DRW653, 653, & 654 TO PROVIDE S/C FILL WATER DURING S/P2 INCLUDING UP TO 10\"/>

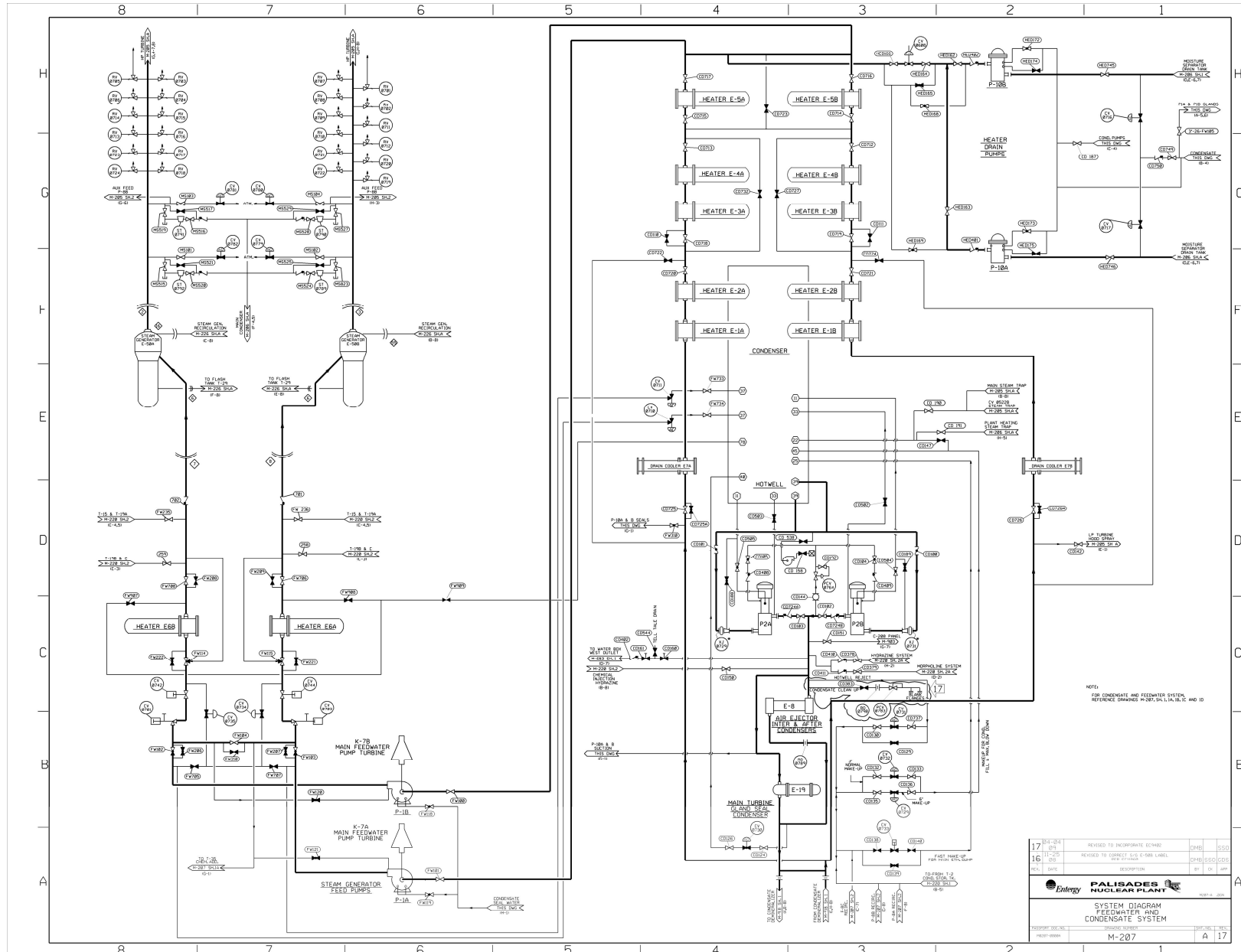
16	REVISED TO INCORPORATE CHANGES	11/15/2011	PL-15
15	REVISED TO ADD COMMENTS FOR 1584 TO READ PI-2653	11/15/2011	PL-15
14	REVISED TO ADD COMMENTS FOR 1584 TO READ PI-2653	11/15/2011	PL-15
13	REVISED TO ADD COMMENTS FOR 1584 TO READ PI-2653	11/15/2011	PL-15
12	REVISED TO ADD COMMENTS FOR 1584 TO READ PI-2653	11/15/2011	PL-15
11	REVISED TO ADD COMMENTS FOR 1584 TO READ PI-2653	11/15/2011	PL-15
10	REVISED TO ADD COMMENTS FOR 1584 TO READ PI-2653	11/15/2011	PL-15
9	REVISED TO ADD COMMENTS FOR 1584 TO READ PI-2653	11/15/2011	PL-15
8	REVISED TO ADD COMMENTS FOR 1584 TO READ PI-2653	11/15/2011	PL-15
7	REVISED TO ADD COMMENTS FOR 1584 TO READ PI-2653	11/15/2011	PL-15
6	REVISED TO ADD COMMENTS FOR 1584 TO READ PI-2653	11/15/2011	PL-15
5	REVISED TO ADD COMMENTS FOR 1584 TO READ PI-2653	11/15/2011	PL-15
4	REVISED TO ADD COMMENTS FOR 1584 TO READ PI-2653	11/15/2011	PL-15
3	REVISED TO ADD COMMENTS FOR 1584 TO READ PI-2653	11/15/2011	PL-15
2	REVISED TO ADD COMMENTS FOR 1584 TO READ PI-2653	11/15/2011	PL-15
1	REVISED TO ADD COMMENTS FOR 1584 TO READ PI-2653	11/15/2011	PL-15

**ENTEGY** **FALSBATES NUCLEAR PLANT**

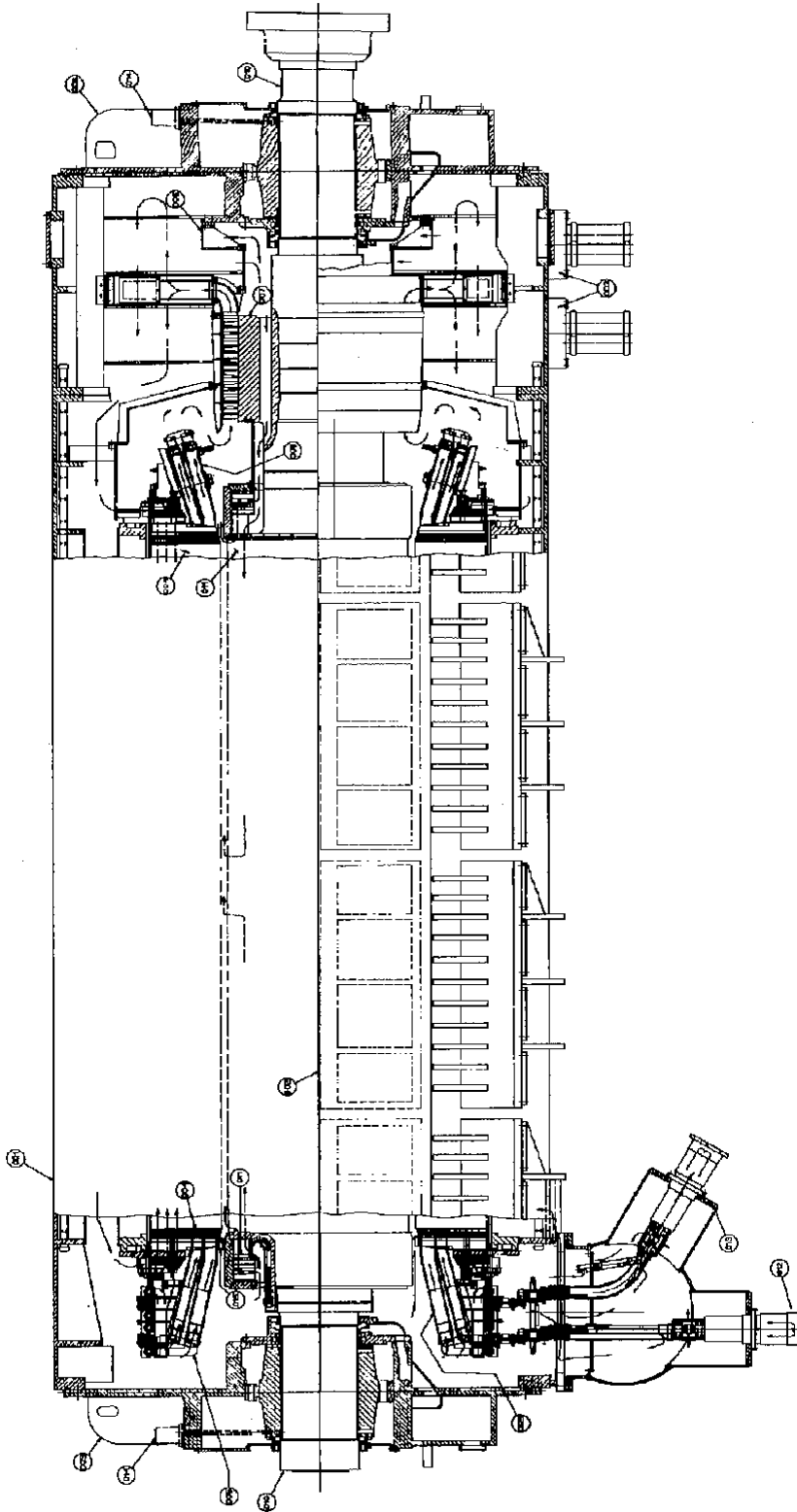
PIPING & INSTRUMENT DIAGRAM  
STEAM GENERATOR BLOWDOWN MODIFICATION

DATE: 11/15/2011  
DRAWN: M-226  
SCALE: 1/8" = 1'-0"

SYSTEM DIAGRAM  
FEEDWATER AND CONDENSATE SYSTEM



GENERAL ASSEMBLY ELECTRICAL GENERATOR



ITEM	DESCRIPTION
1	FRAME
2	FRAME COVERS
3	HYDROGEN COOLERS
4	STATOR CORE
5	STATOR WINDING
6	BLOWER SHROUD SUPPORT ASSEMBLY
7	BLOWER
8	GLAND SEAL, BEARING & BRACKET (TURBINE END)
9	GLAND SEAL, BEARING & BRACKET (EXCITER END)
10	SHAFT
11	ROTOR WINGING
12	MAIN LEADS
13	MAIN LEAD BOX
14	VIBROMETER PICKUP (WHEN FURNISHED)
15	AIR GAP BAFFLE

