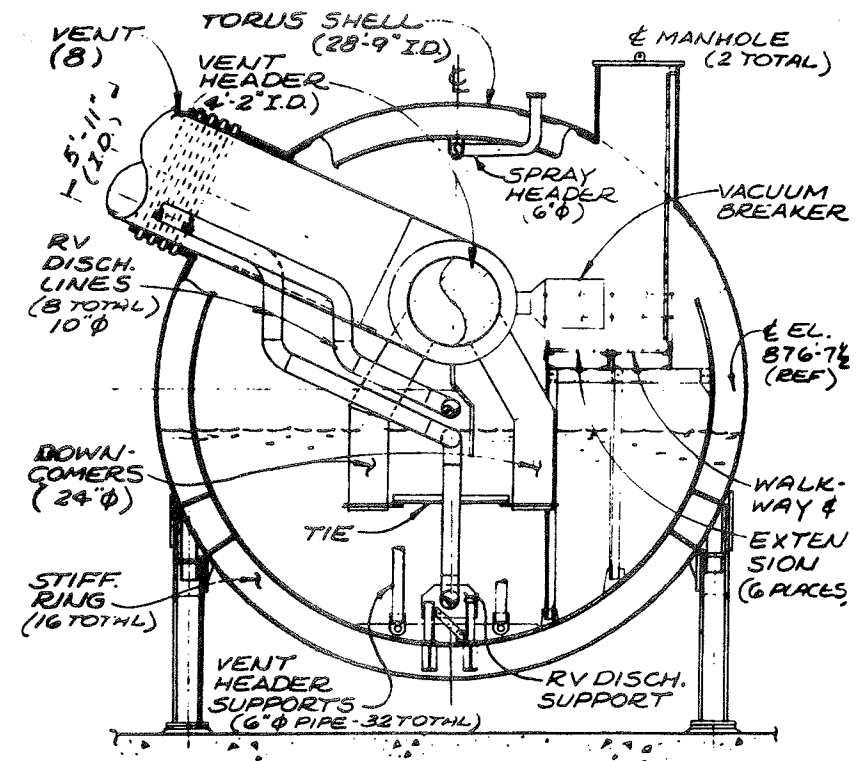
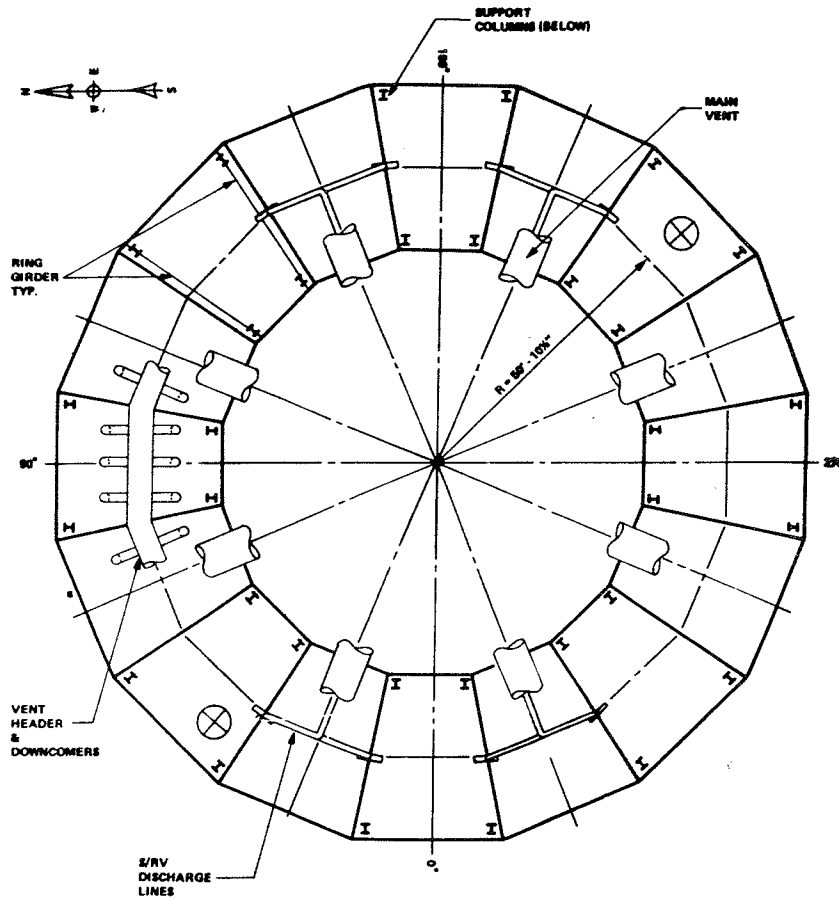
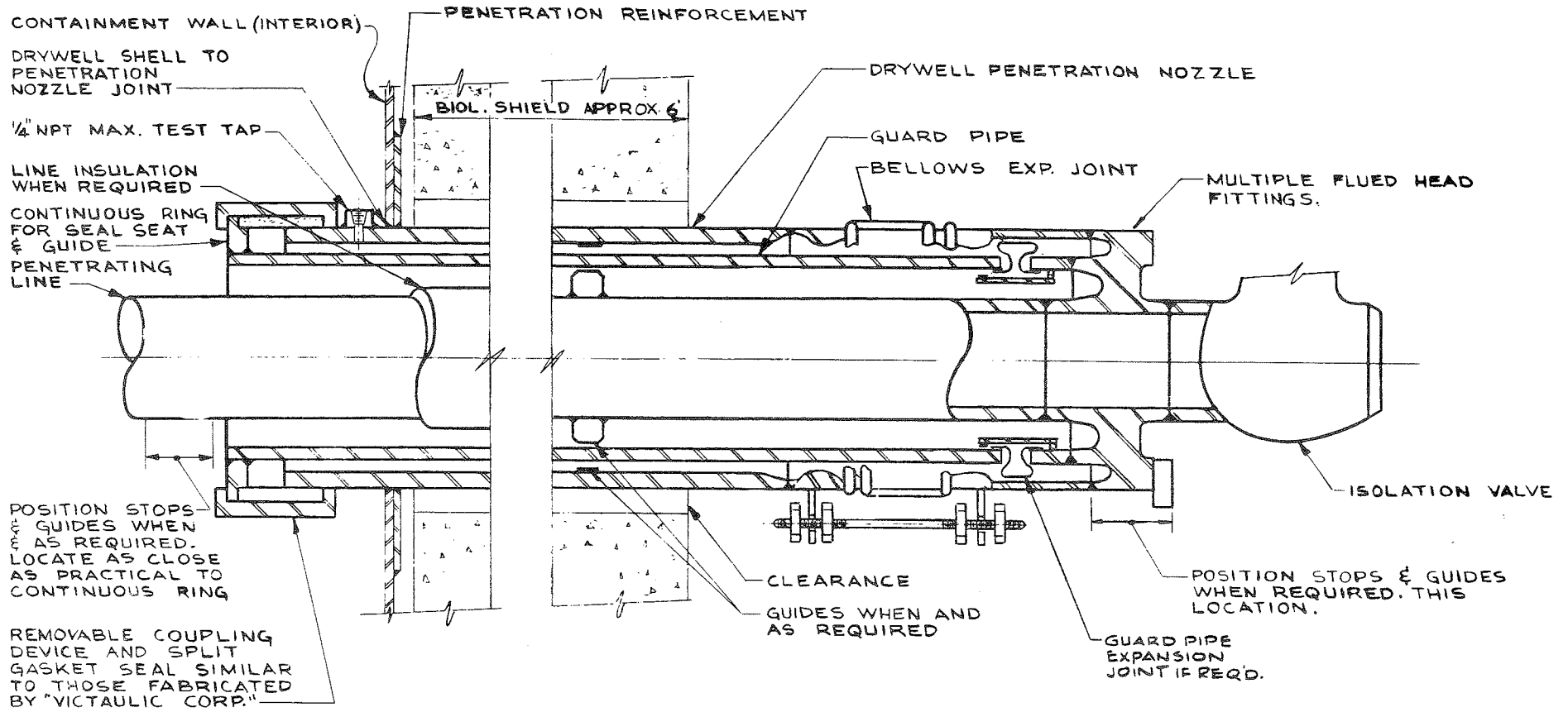


Nebraska Public Power District
 COOPER NUCLEAR STATION
 UPDATED SAFETY ANALYSIS REPORT (USAR)

Primary Containment
 Pressure Suppression System
 Figure V-2-1

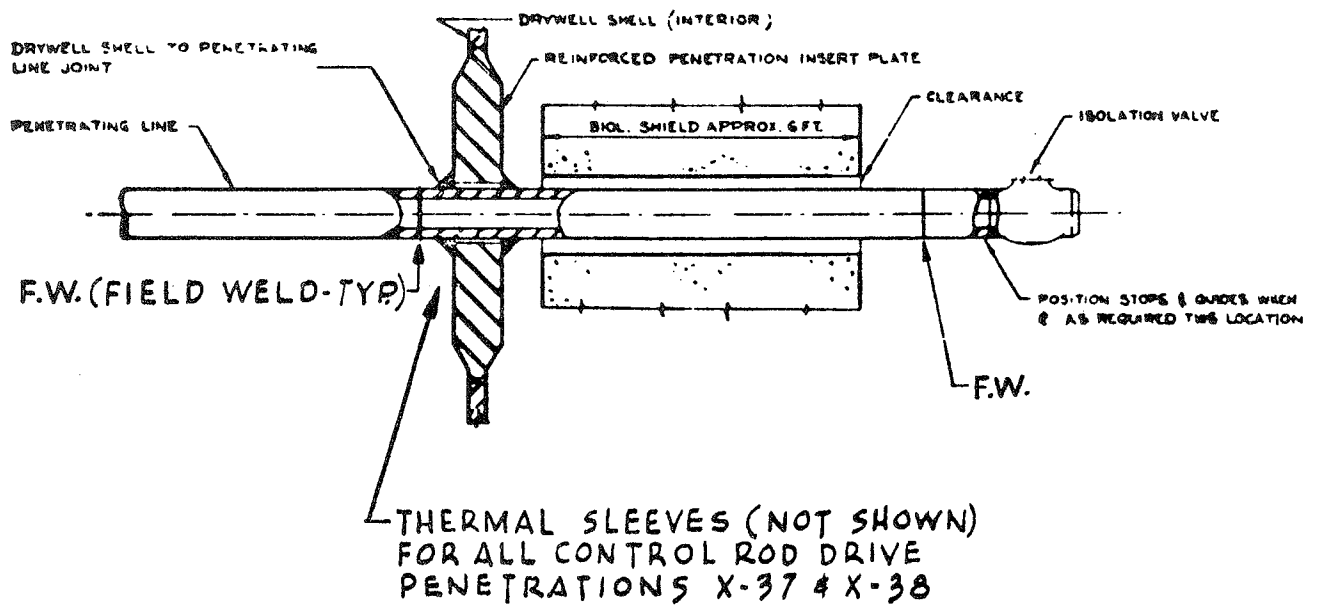


Nebraska Public Power District
 COOPER NUCLEAR STATION
 UPDATED SAFETY ANALYSIS REPORT (USAR)
 Pressure Suppression Chamber
 Figure V-2-2



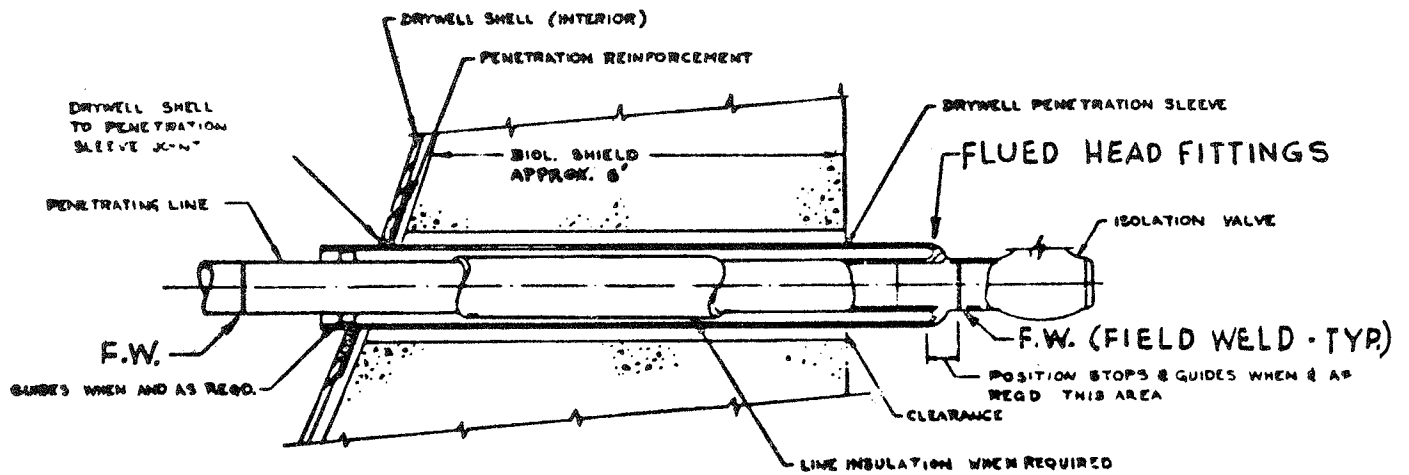
Nebraska Public Power District
 COOPER NUCLEAR STATION
 UPDATED SAFETY ANALYSIS REPORT (USAR)

Primary Containment
 High Pressure Process
 Line Penetration-Type 1
 Figure V-2-3



Nebraska Public Power District
COOPER NUCLEAR STATION
UPDATED SAFETY ANALYSIS REPORT (USAR)

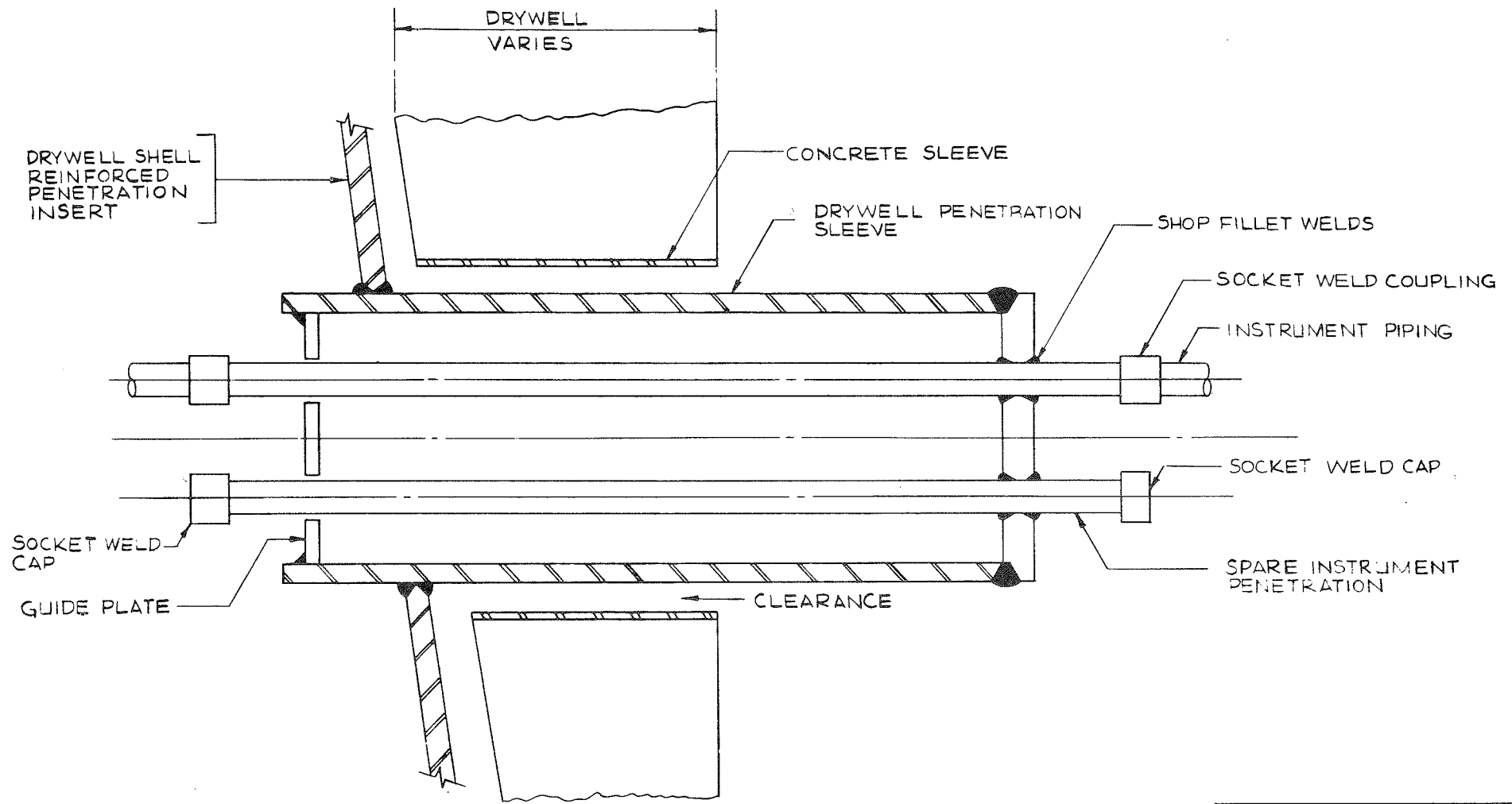
Primary Containment
Process Line Penetration
-Type 2
Figure V-2-4



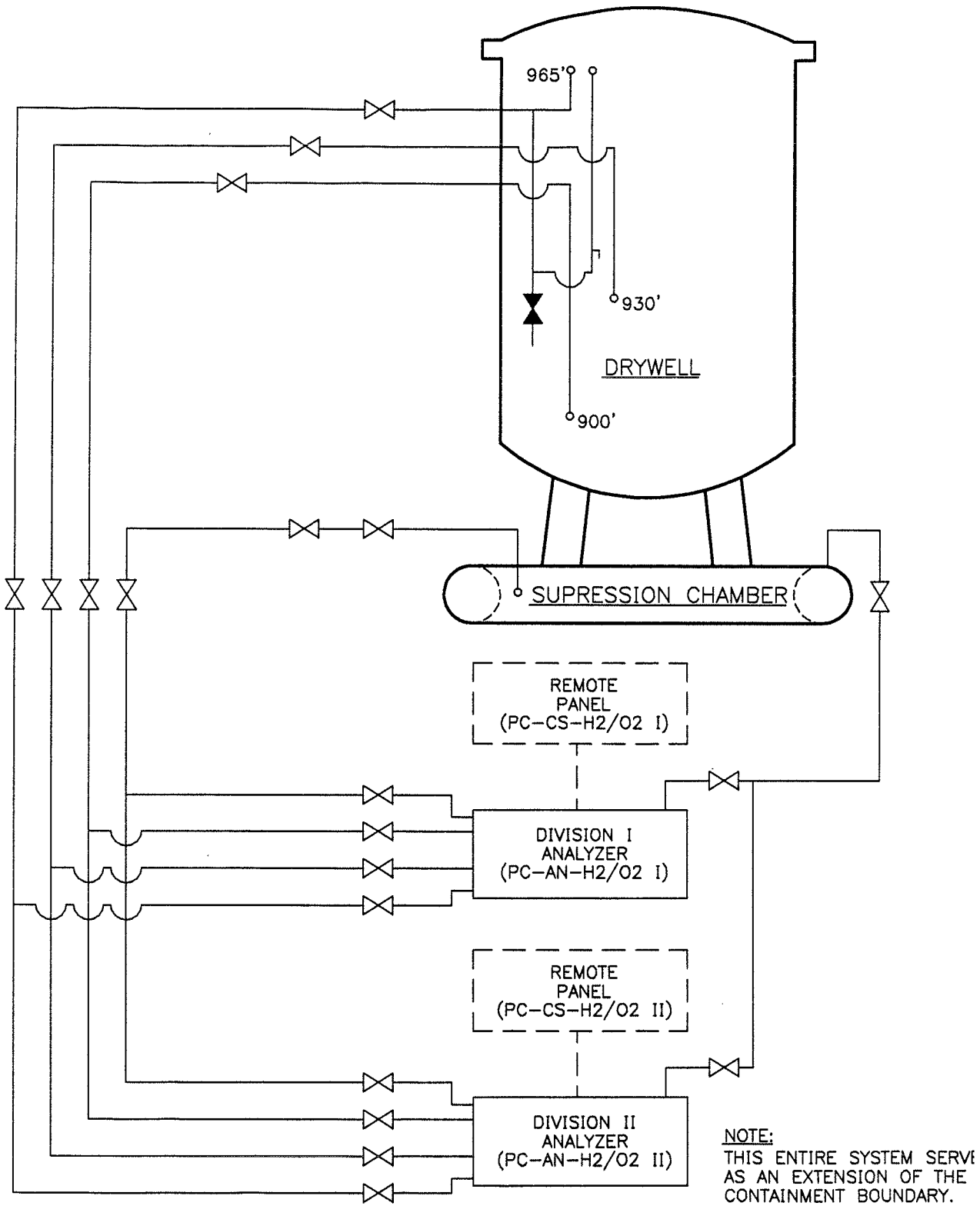
NOTE:
 GUARD PIPE (NOT SHOWN) FOR
 HIGH TEMP. PIPING

Nebraska Public Power District
 COOPER NUCLEAR STATION
 UPDATED SAFETY ANALYSIS REPORT (USAR)

Primary Containment
 Process Line Penetration
 -Type 3
 Figure V-2-5



Nebraska Public Power District
 COOPER NUCLEAR STATION
 UPDATED SAFETY ANALYSIS REPORT (USAR)
 Typical Instrument Penetration
 Figure V-2-6



Nebraska Public Power District
COOPER NUCLEAR STATION
UPDATED SAFETY ANALYSIS REPORT (USAR)

Containment Atmosphere
 Monitoring (CAM) System
 Figure V-2-14
 4/14/97