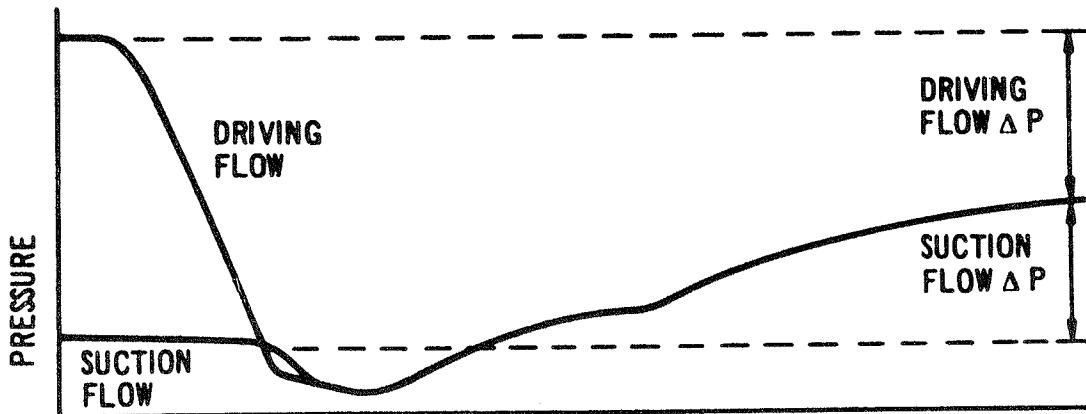
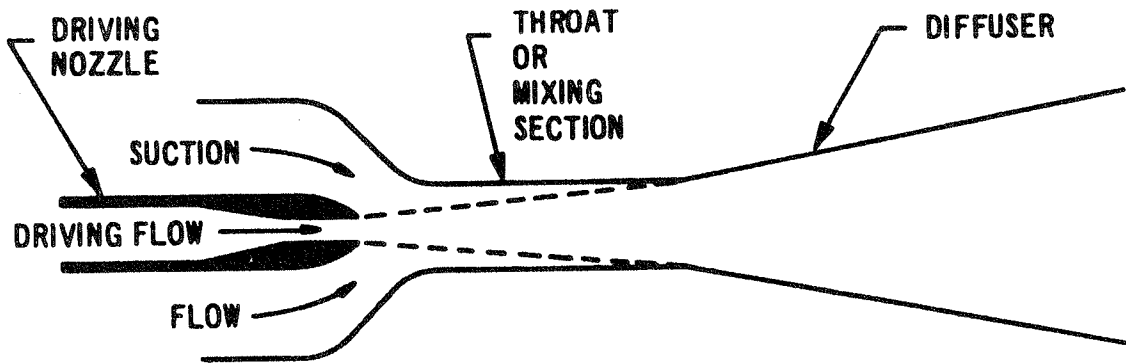


ISOMETRIC

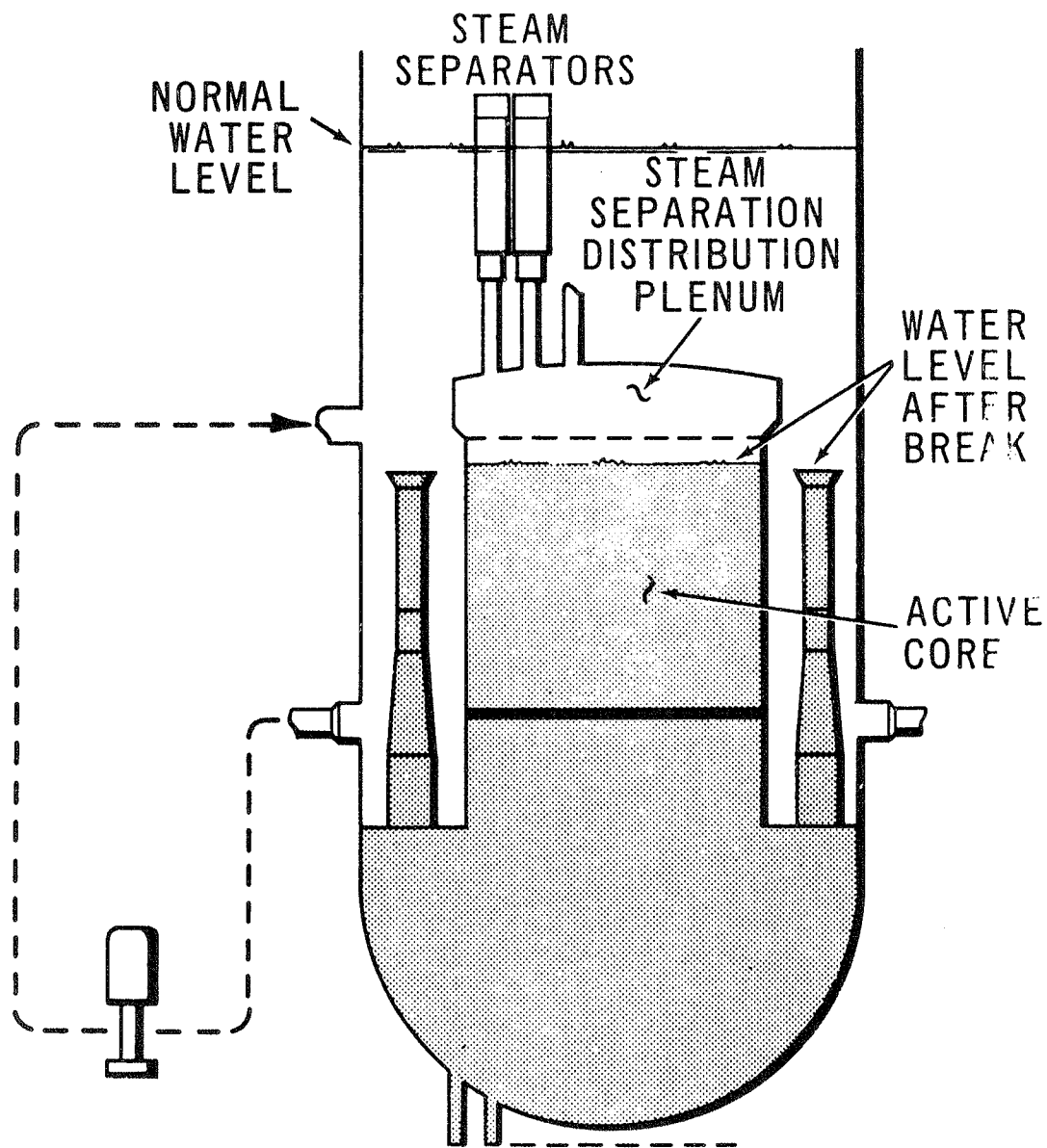
Nebraska Public Power District
 COOPER NUCLEAR STATION
 UPDATED SAFETY ANALYSIS REPORT (USAR)

Recirculation System
 -Elevation, Isometric
 Figure IV-3-1
 07/22/87



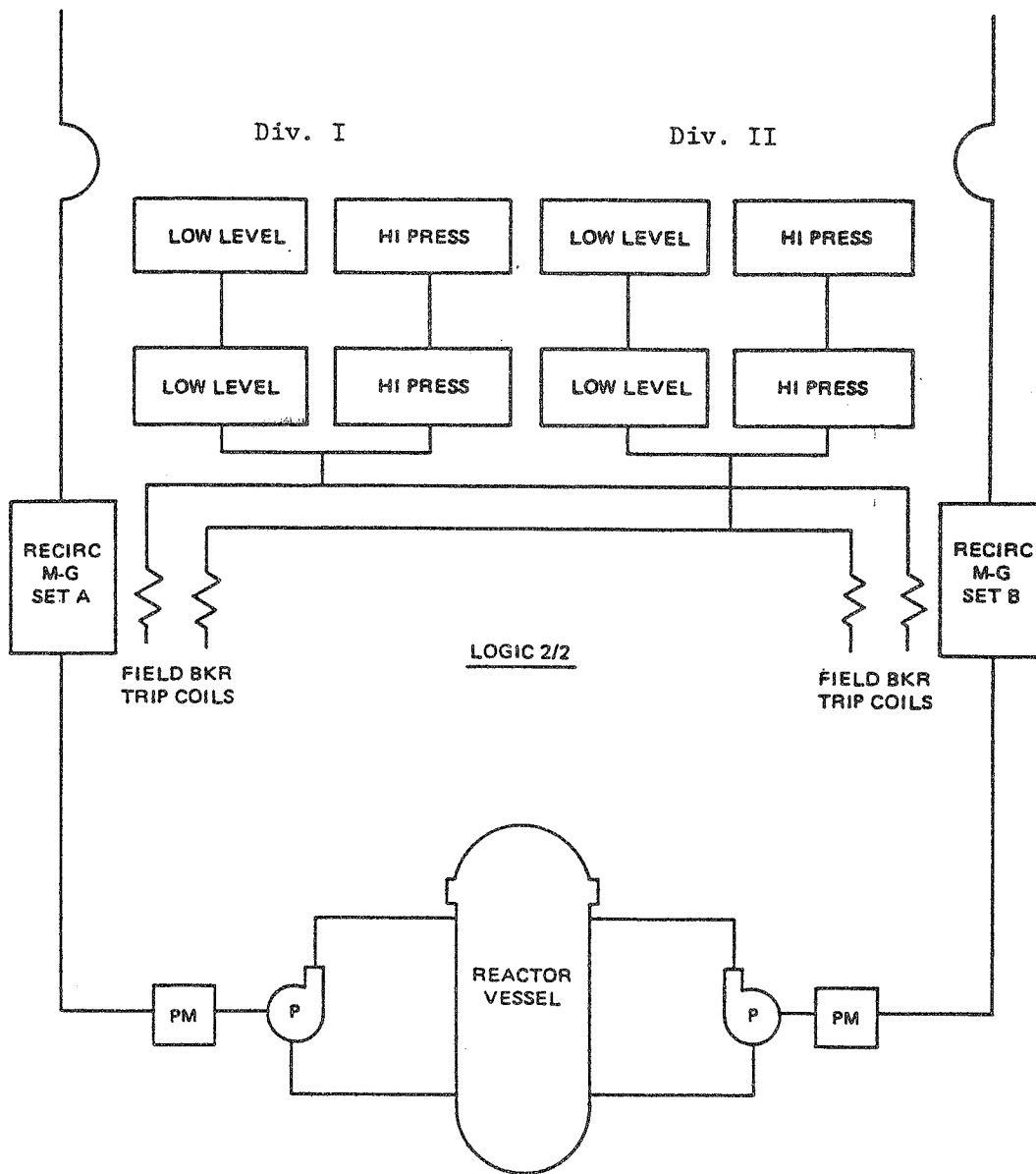
Nebraska Public Power District
 COOPER NUCLEAR STATION
 UPDATED SAFETY ANALYSIS REPORT (USAR)

Jet Pump
 -Operating Principle
 Figure IV-3-4



Nebraska Public Power District
 COOPER NUCLEAR STATION
 UPDATED SAFETY ANALYSIS REPORT (USAR)

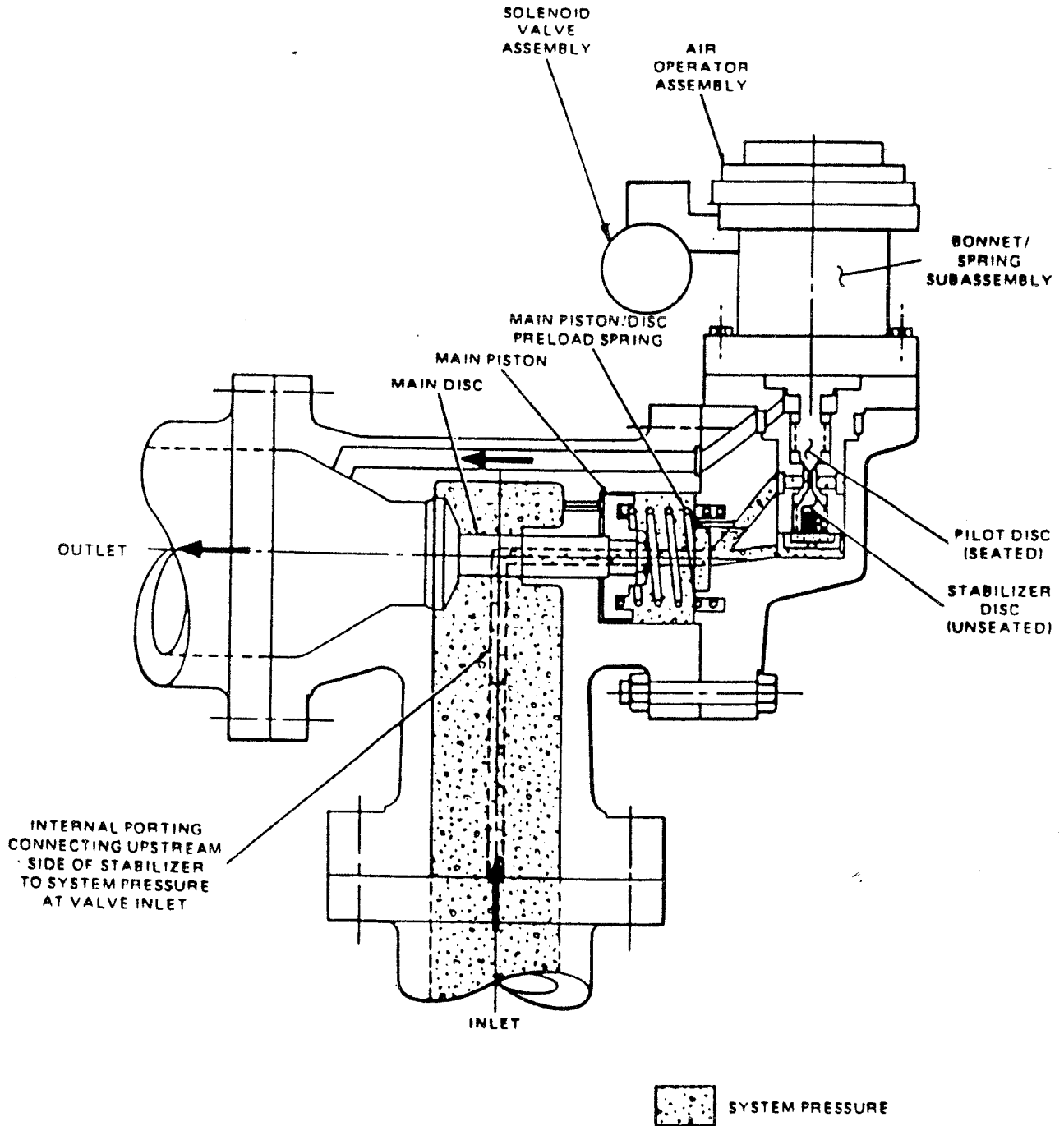
Recirculation System Core
 Flooding Capability
 Figure IV-3-5



Nebraska Public Power District
 COOPER NUCLEAR STATION
 UPDATED SAFETY ANALYSIS REPORT (USAR)

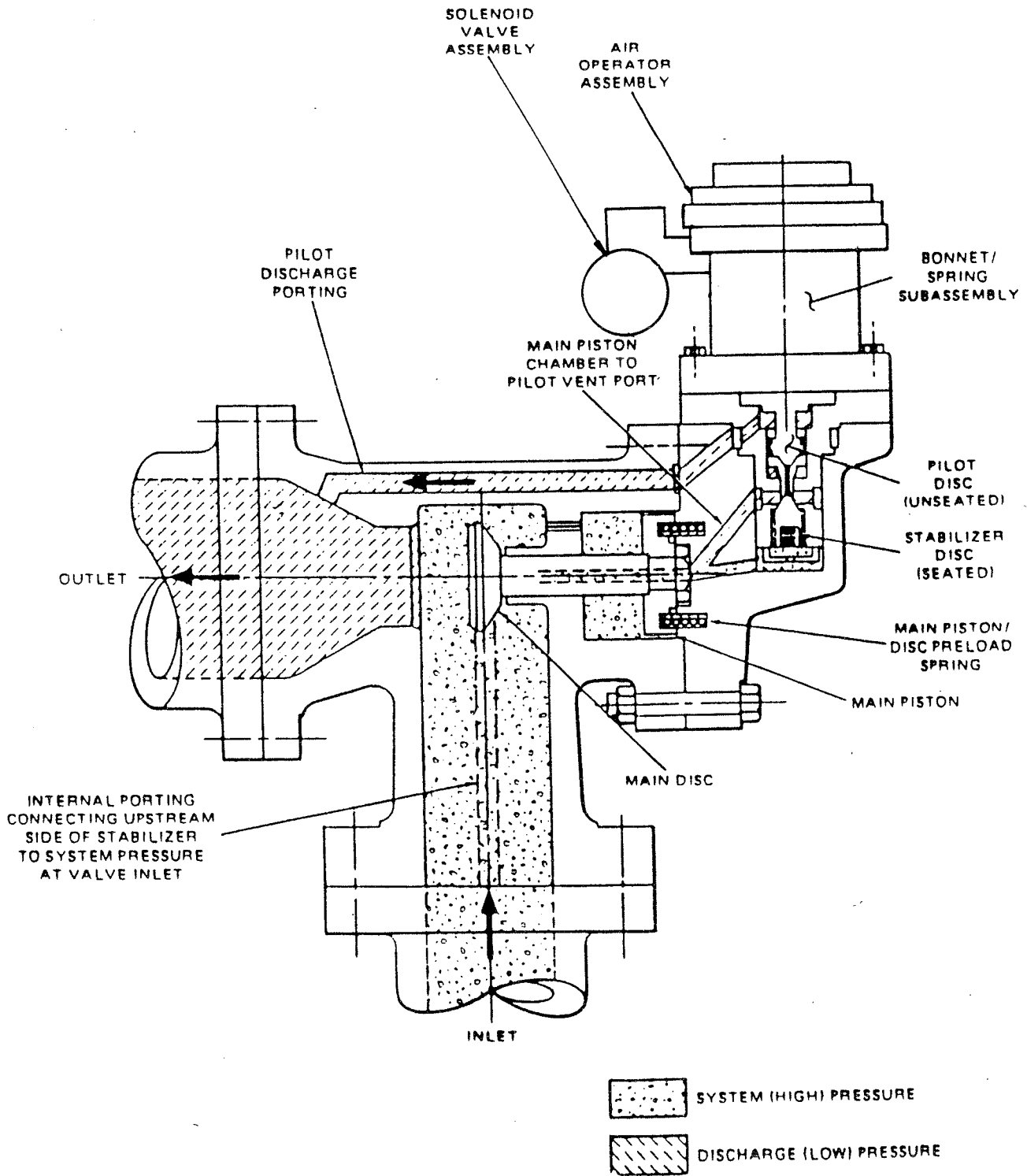
Recirculation Pump Trip (RPT)
 Logic Configuration
 Figure IV-3-6

07/22/90



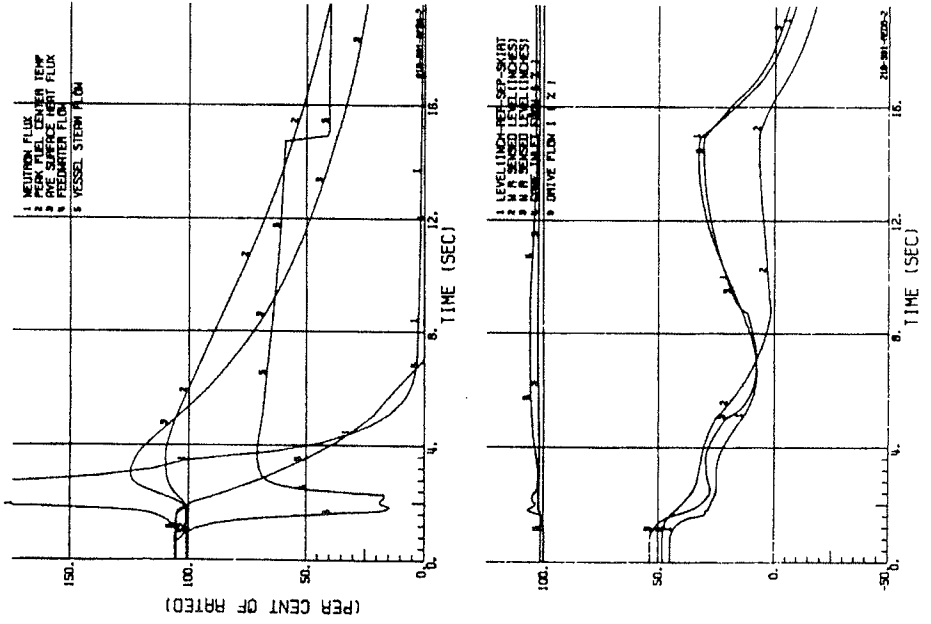
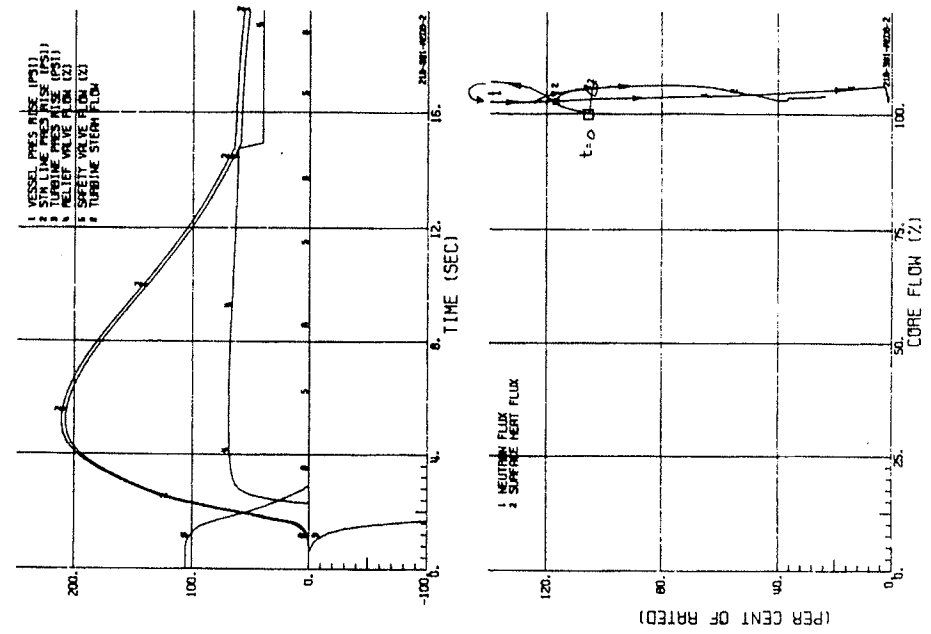
Nebraska Public Power District
 COOPER NUCLEAR STATION
 UPDATED SAFETY ANALYSIS REPORT (USAR)

Nuclear System Relief
 Valve Closed Position
 Figure IV-4-2
 07/22/95

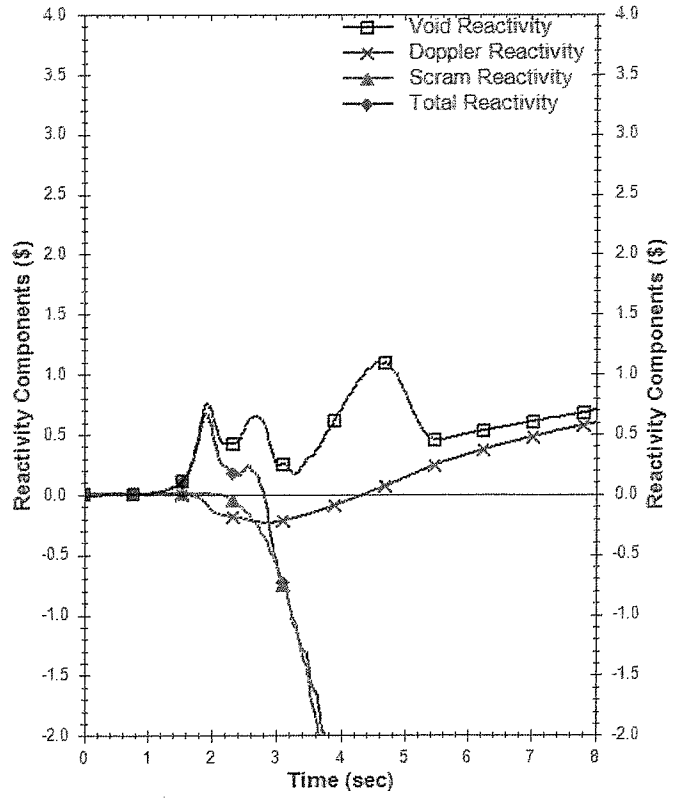
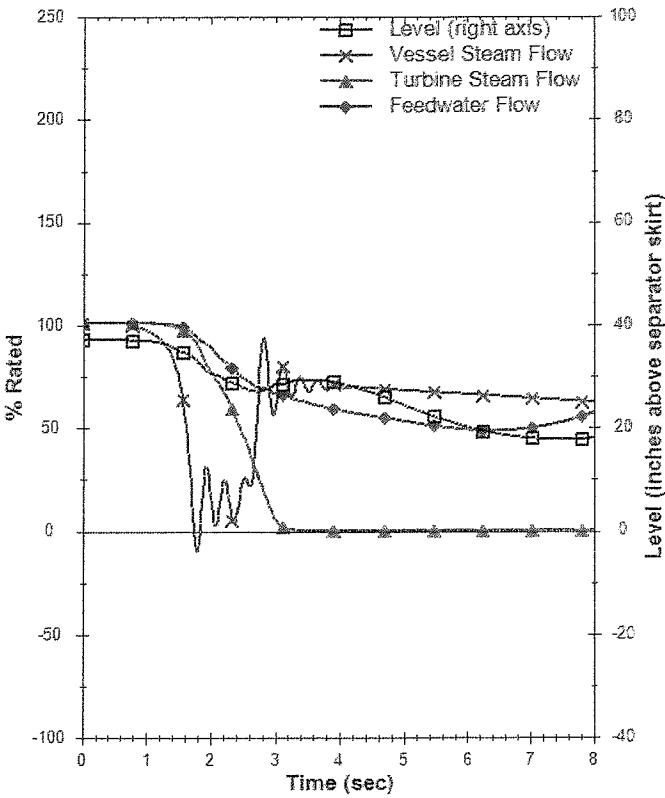
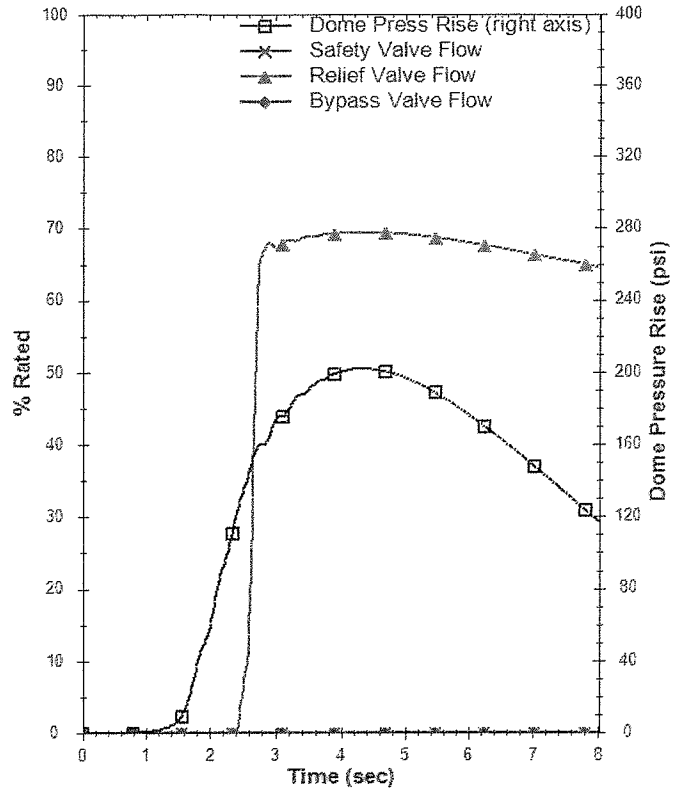
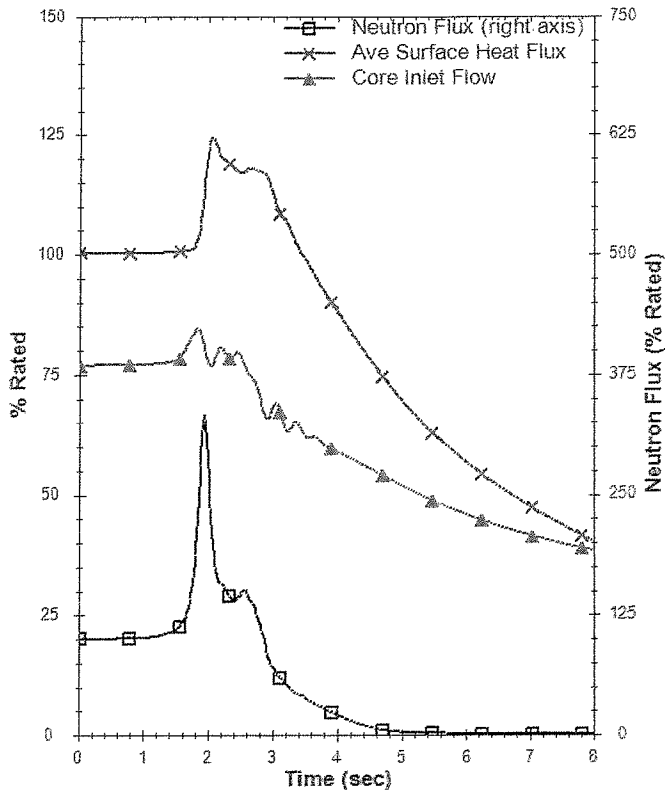


Nebraska Public Power District
 COOPER NUCLEAR STATION
 UPDATED SAFETY ANALYSIS REPORT (USAR)

Nuclear System Relief
 Valve Open Position
 Figure IV-4-3
 07/22/95

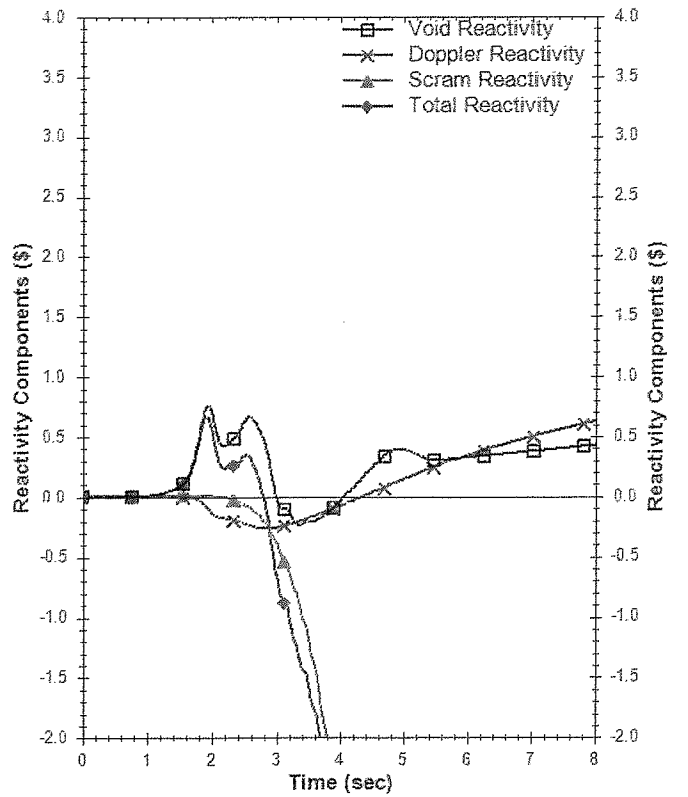
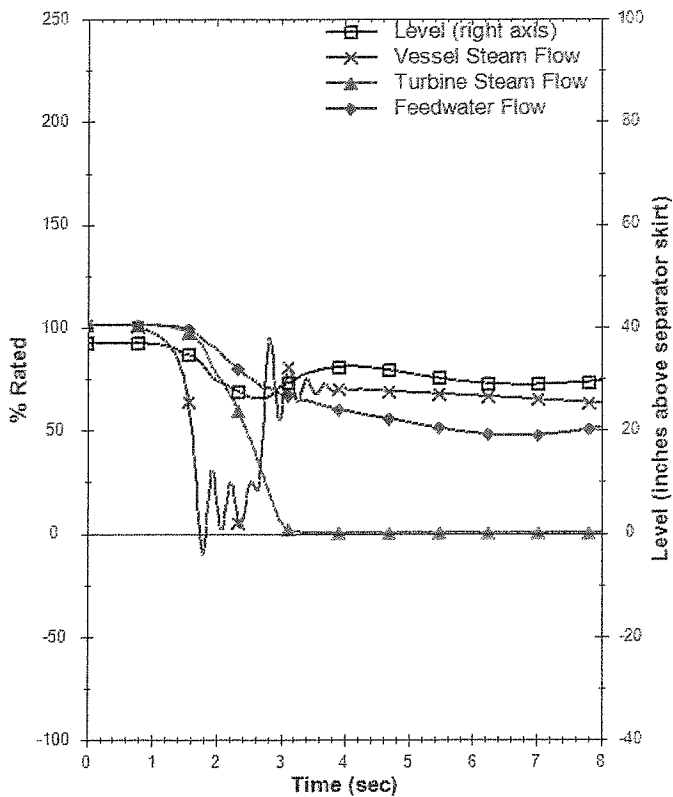
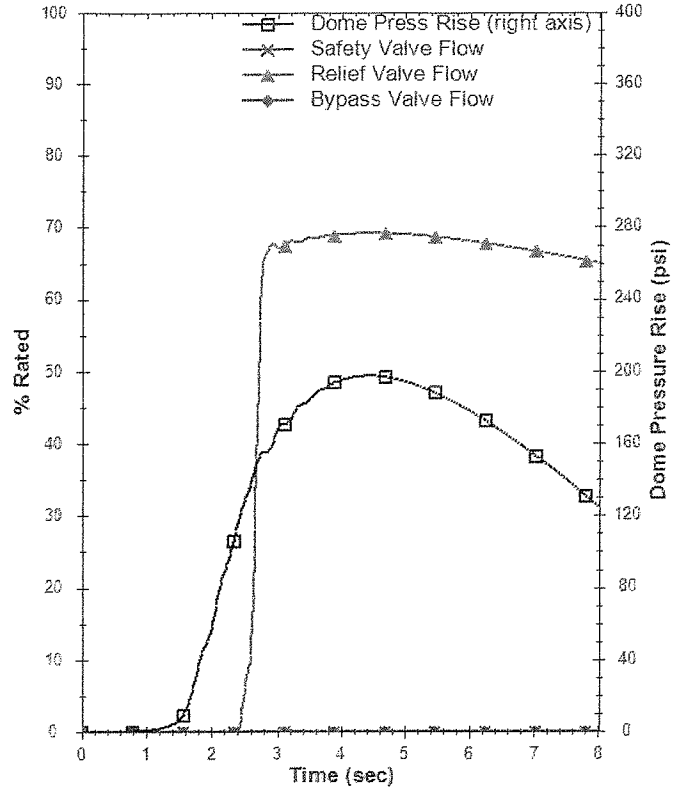
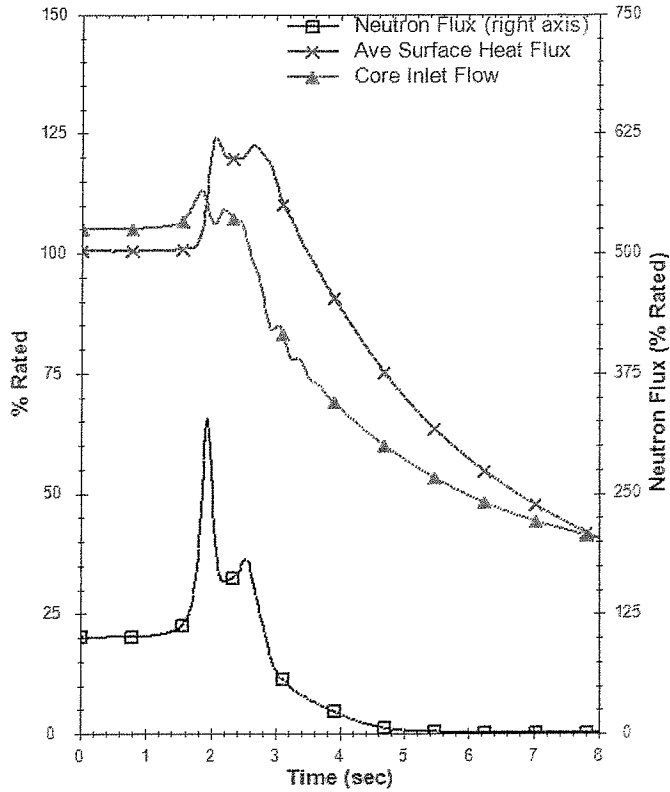


Nebraska Public Power District
 COOPER NUCLEAR STATION
 UPDATED SAFETY ANALYSIS REPORT (USAR)
 Safety Valve Sizing Transient:
 MSIV Closure with Flux Scram
 Figure IV-4-4a
 07/22/96



Nebraska Public Power District
COOPER NUCLEAR STATION
UPDATED SAFETY ANALYSIS REPORT (USAR)

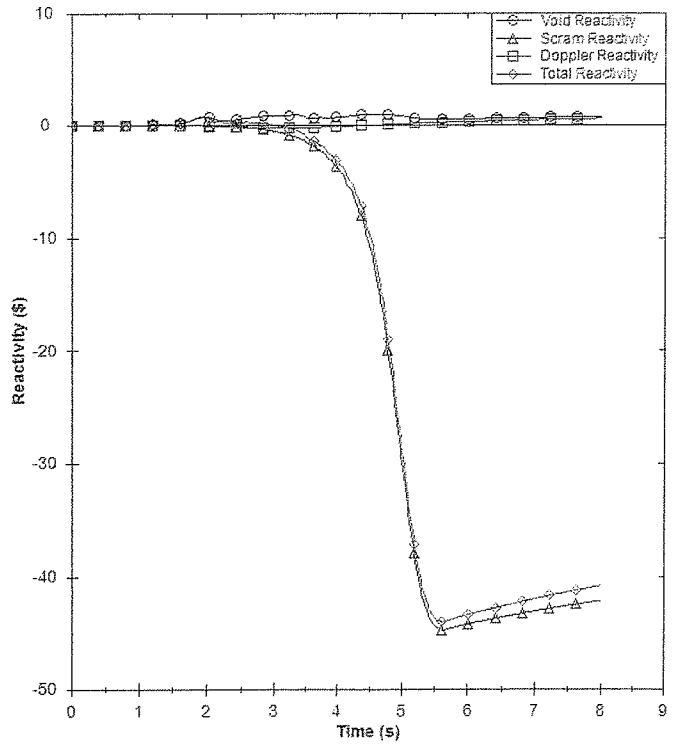
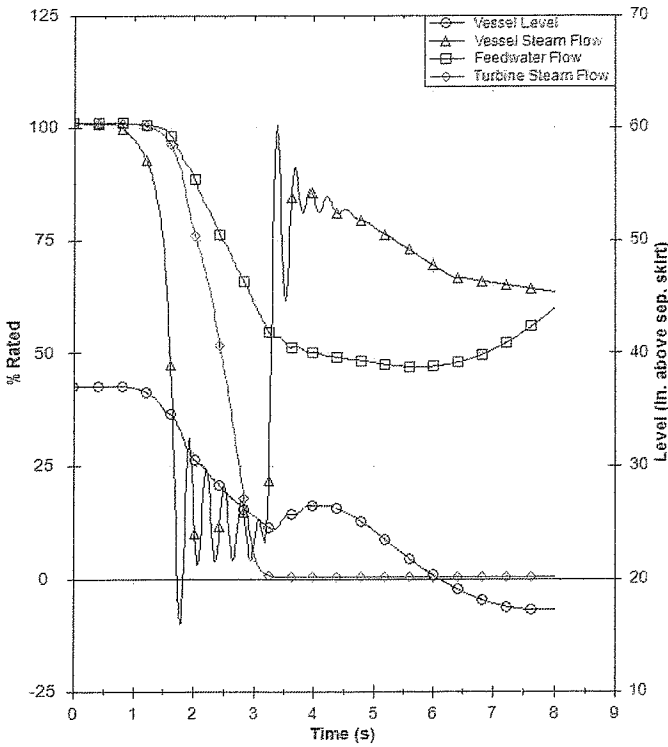
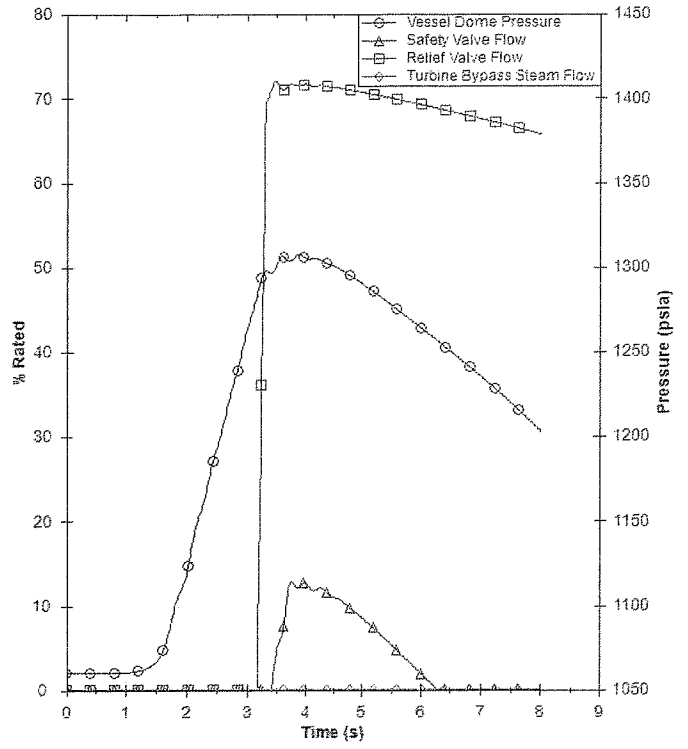
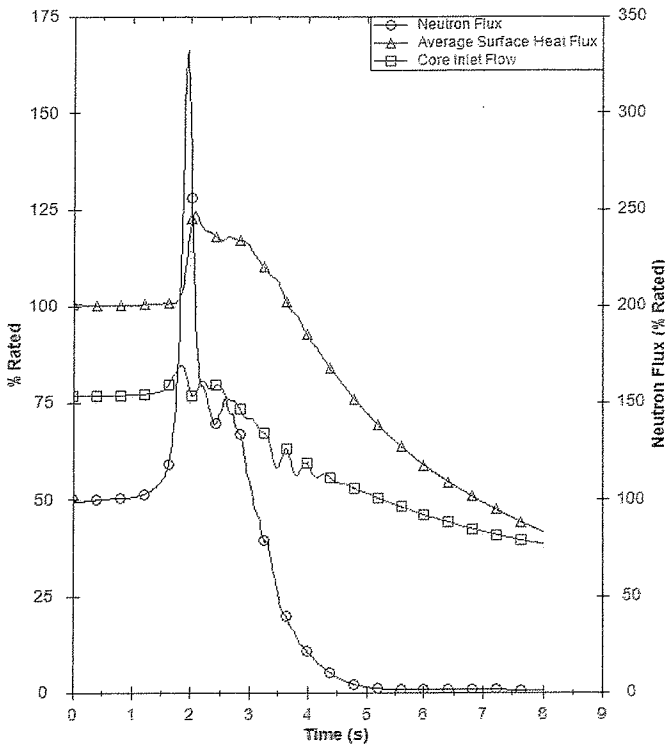
MSIV Closure Transient (Flux Scram)
 (MELLLA, 1 SRV OOS, HBB)
 Figure IV-4-4b 01/21/19



**Nebraska Public Power District
 COOPER NUCLEAR STATION
 UPDATED SAFETY ANALYSIS REPORT (USAR)**

MSIV Closure Transient (Flux Scram)
 (ICF, 1 SRV OOS, HBB)
 Figure IV-4-4c 01/21/19

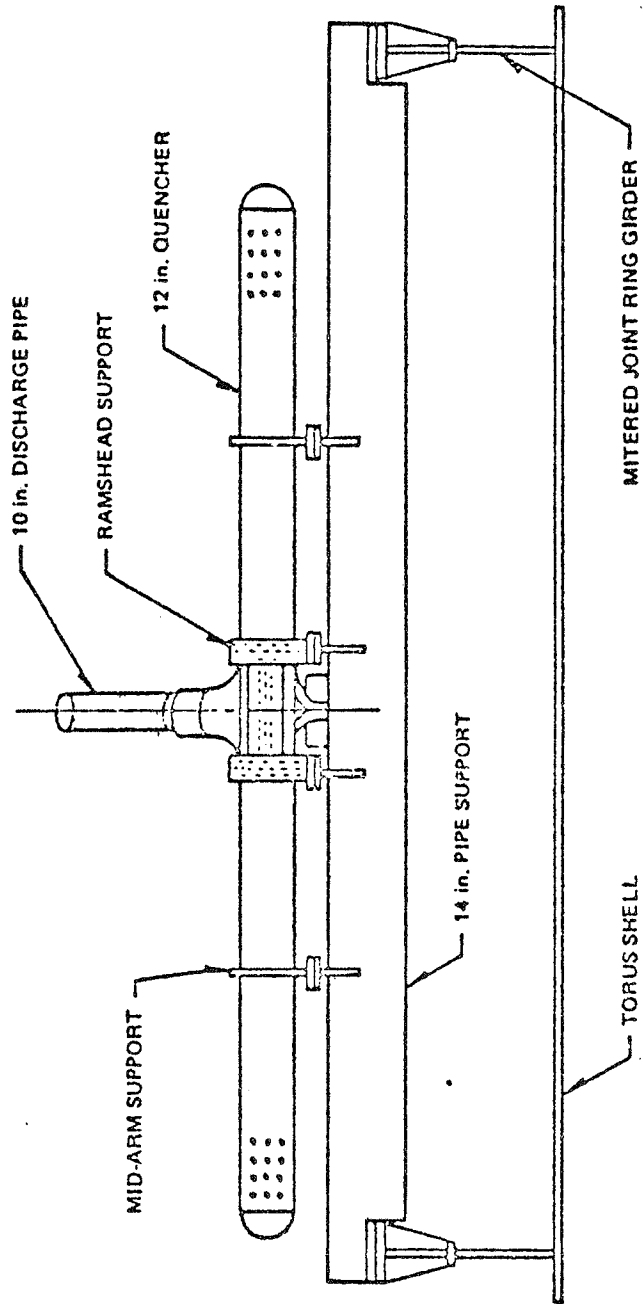
MSIV/OPP/1SRVOS for HP1 CYCLE 31
MEL__TN - E00000
POWER: 100.4% RATED FLOW: 76.8% RATED



PID: 095C0

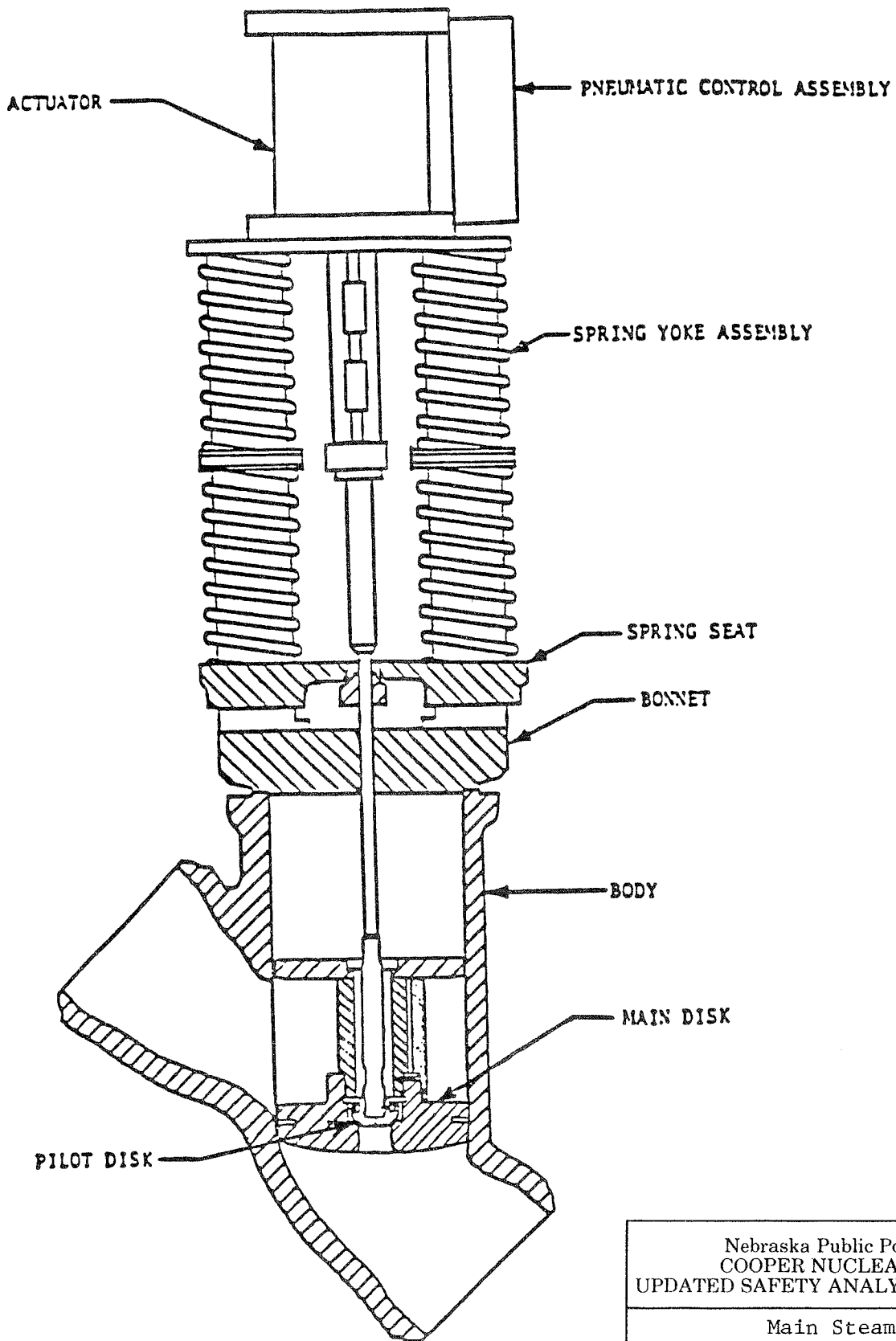
Nebraska Public Power District
COOPER NUCLEAR STATION
UPDATED SAFETY ANALYSIS REPORT (USAR)

MSIV Closure Transient (Flux Scram)
(MELLLA, 1 SRV OOS, Max SRV Setpoints)
Figure IV-4-4d 01/21/19



Nebraska Public Power District
 COOPER NUCLEAR STATION
 UPDATED SAFETY ANALYSIS REPORT (USAR)

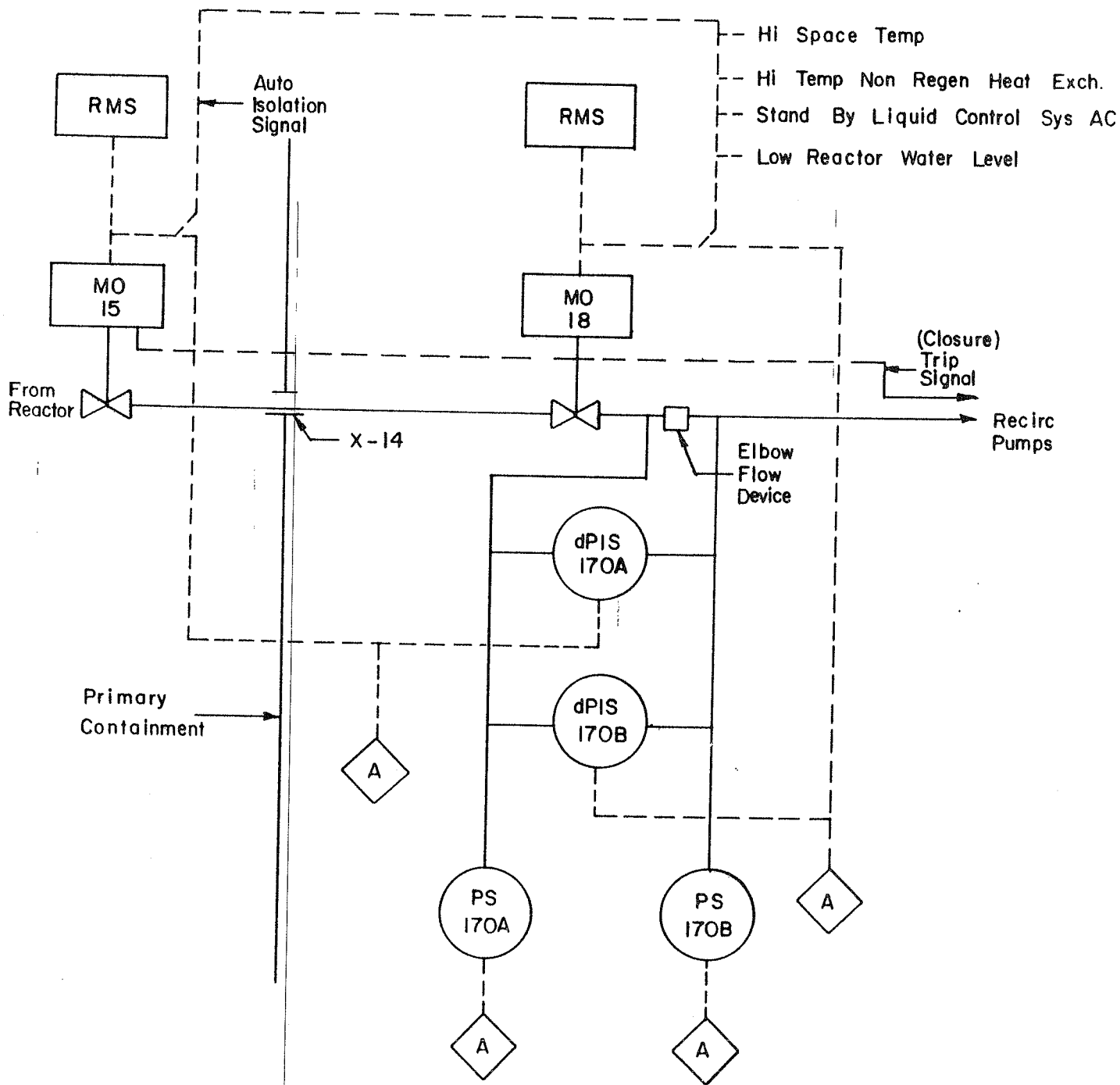
Mark I T-Quencher
 Discharge Device
 Figure IV-4-5



ROCKWELL MAIN STEAM ISOLATION VALVE

Nebraska Public Power District
 COOPER NUCLEAR STATION
 UPDATED SAFETY ANALYSIS REPORT (USAR)

Main Steam Line
 Isolation Valve
 Figure IV-6-1
 07/22/89



Nebraska Public Power District
 COOPER NUCLEAR STATION
 UPDATED SAFETY ANALYSIS REPORT (USAR)

RWCU LEAK DETECTION
 AND ISOLATION
 07/22/87
 FIGURE IV-9-4