

## TMI UFSAR

Figures 9.1-1 through 9.1-2

Deleted

## TMI UFSAR

Figures 9.2-1 through 9.2-5

Deleted

## TMI UFSAR

Figures 9.3-1

Deleted

## TMI UFSAR

Figures 9.4-1

Deleted

## TMI UFSAR

Figures 9.5-1

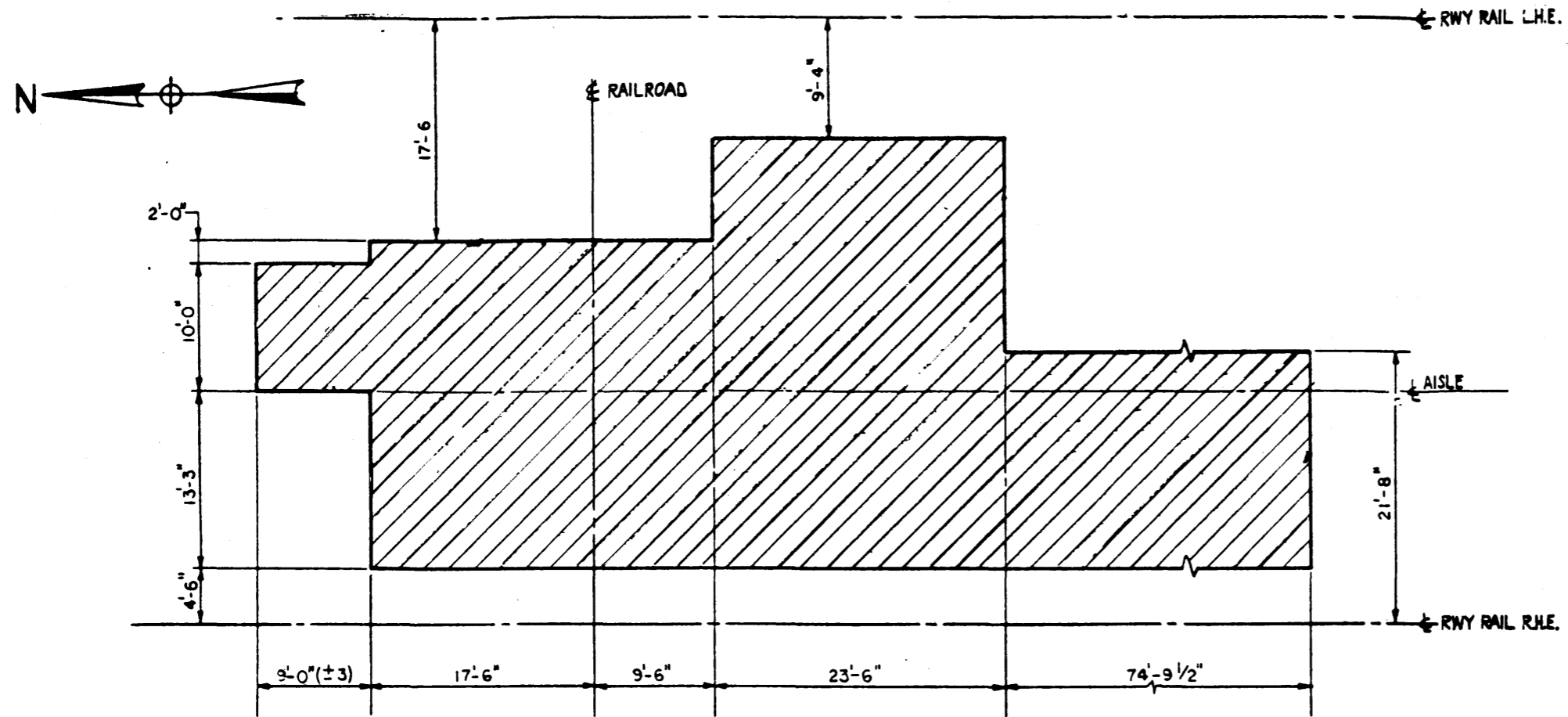
Deleted

## TMI UFSAR

Figures 9.6-1 through 9.6-9

Deleted






PLAN  
 CRANE TRAVEL INTERLOCK SYSTEM  
 SCALE: 1/8" = 1'-0"

LEGEND

 ALLOWABLE LOAD HANDLING AREA WHEN INTERLOCK SYSTEM IS ACTIVATED.

 <b>GP Nuclear</b>	Update - 7
TMI Unit 1	7/88
Allowable Load Handling Area When FHB Crane Travel Interlock System is Activated	
Fig. 9.7-2	



**TMI UFSAR**

Figure 9.8-1

Deleted



## TMI UFSAR

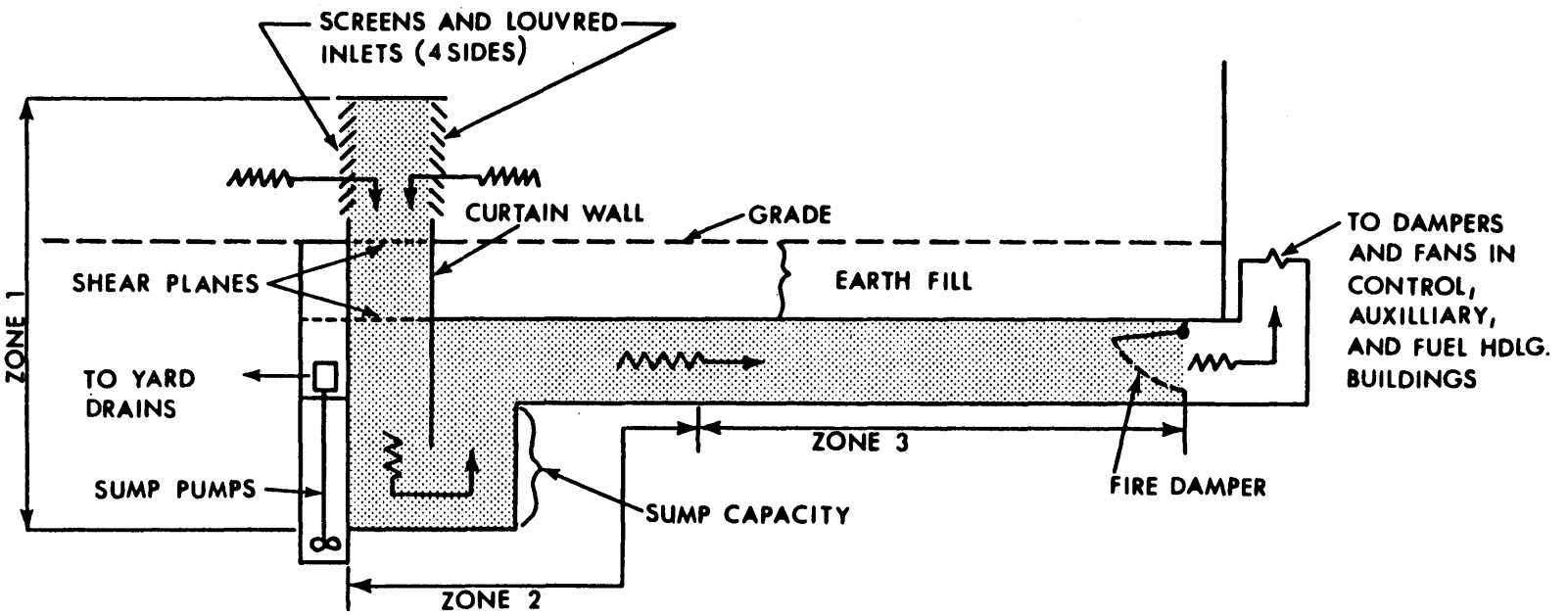
Figures 9.8-3 through 9.8-5

Deleted

## TMI UFSAR

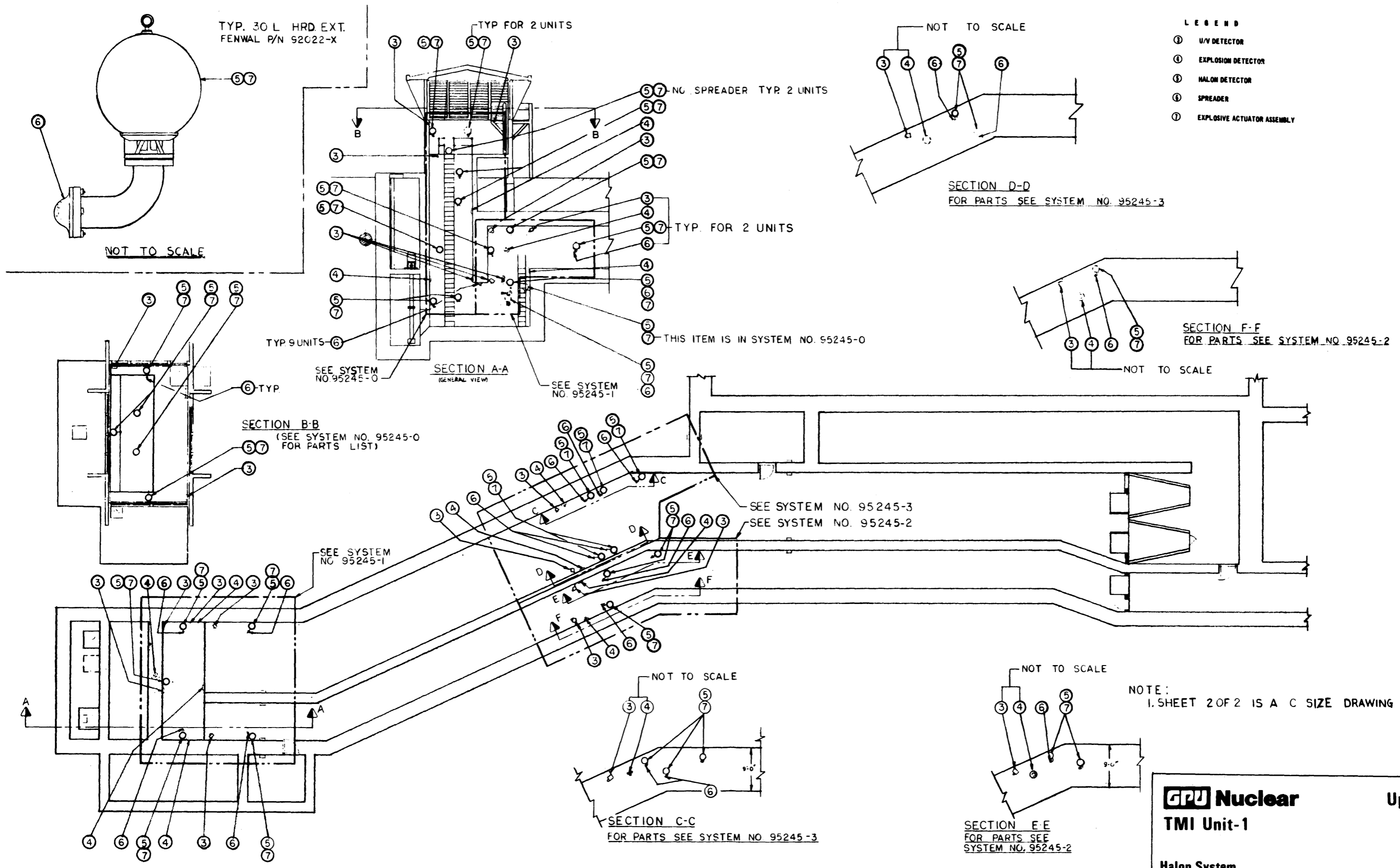
Figures 9.9-1

Deleted



TMI UNIT 1 AIR INTAKE TUNNEL

<b>GE Nuclear</b> TMI Unit-1 Air Intake Tunnel	Update - 1 7/82
	Fig. 9.9-2



P. 9.FIG-32

<b>GPU Nuclear</b> <b>TMI Unit-1</b> <b>Halon System</b>	Update -1
	7/82
	Fig. 9.9-3

## TMI UFSAR

Figures 9.10-1 through 9.10-2

Deleted