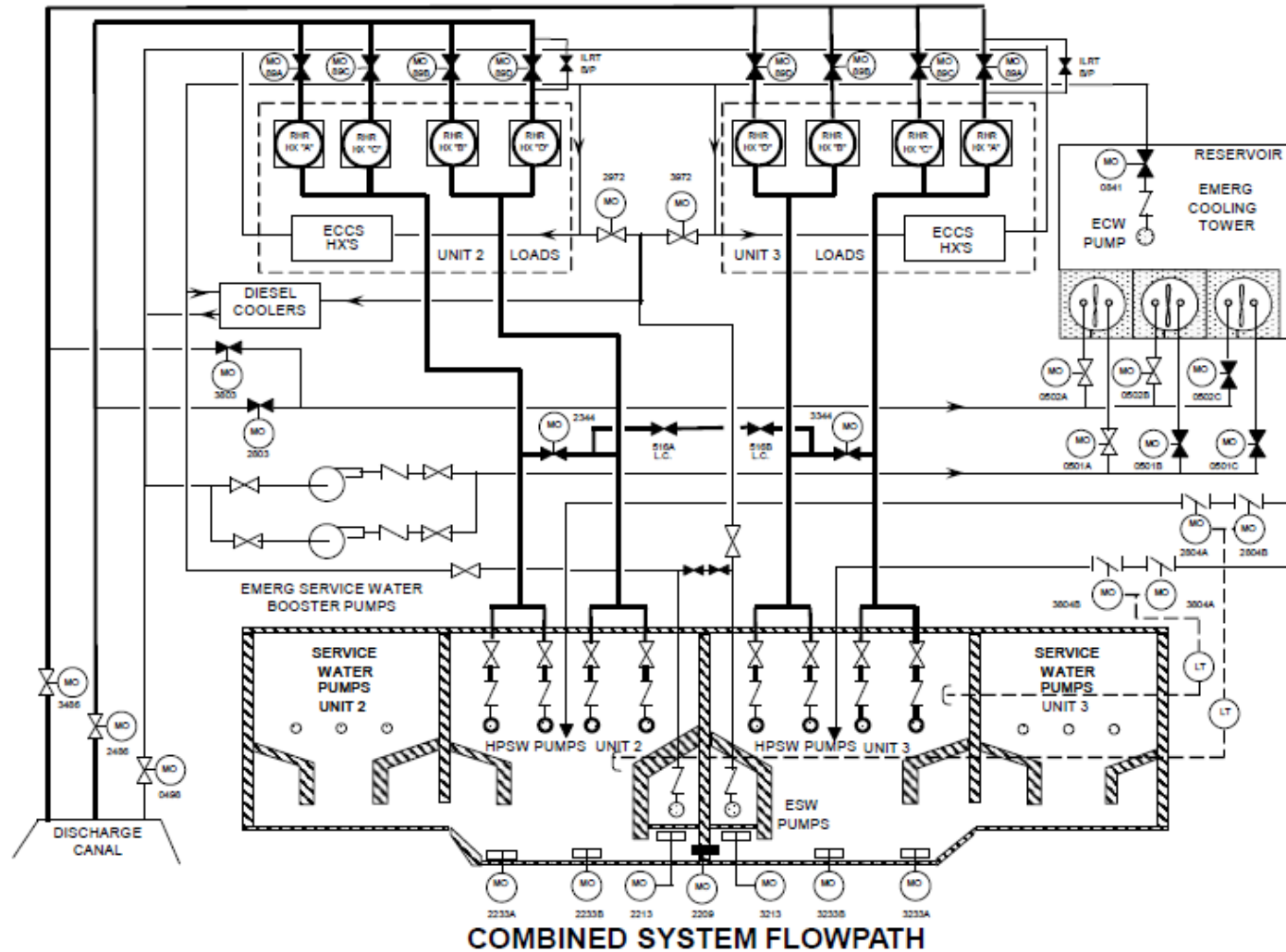


NRC Pre-Submittal Meeting - License  
Amendment Request to Reduce High Pressure  
Service Water System Design Pressure &  
Revise Technical Specifications for Temporary  
Extension of Completion Times

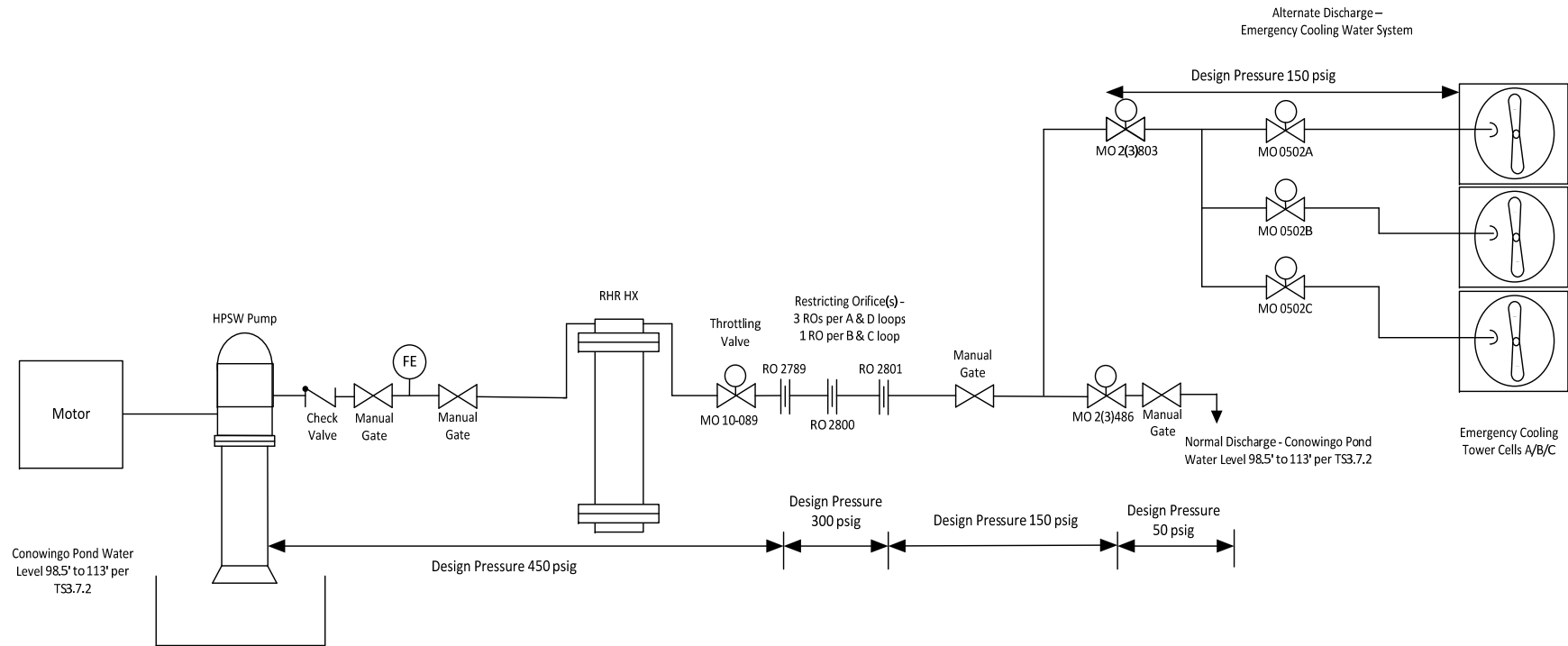
**Peach Bottom Atomic Power Station**  
**September 18, 2018**



# Combined System Flowpath



# HPSW Current Configuration – Single Loop



# HPSW Modified Configuration to Reduce Design Pressure

