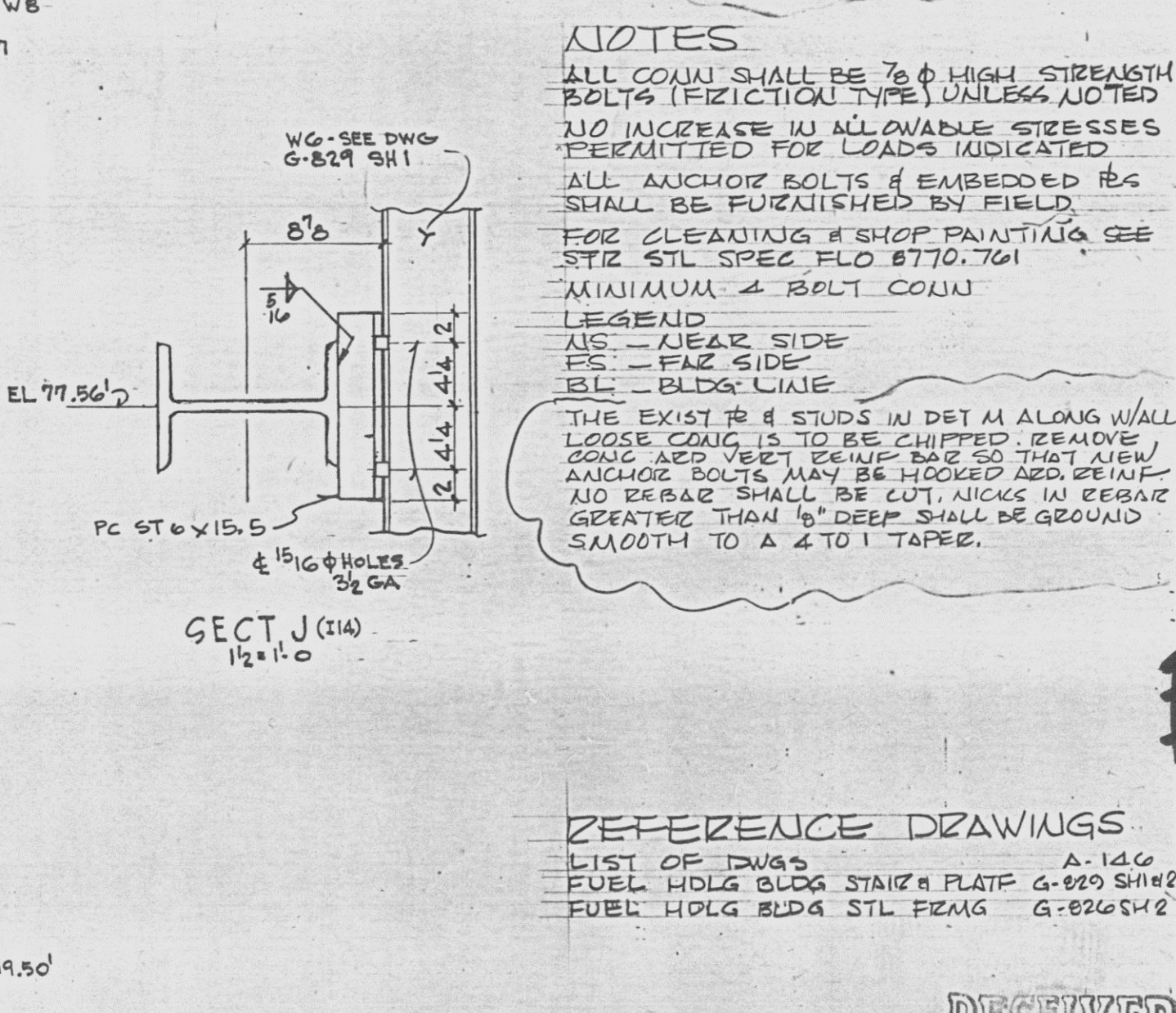
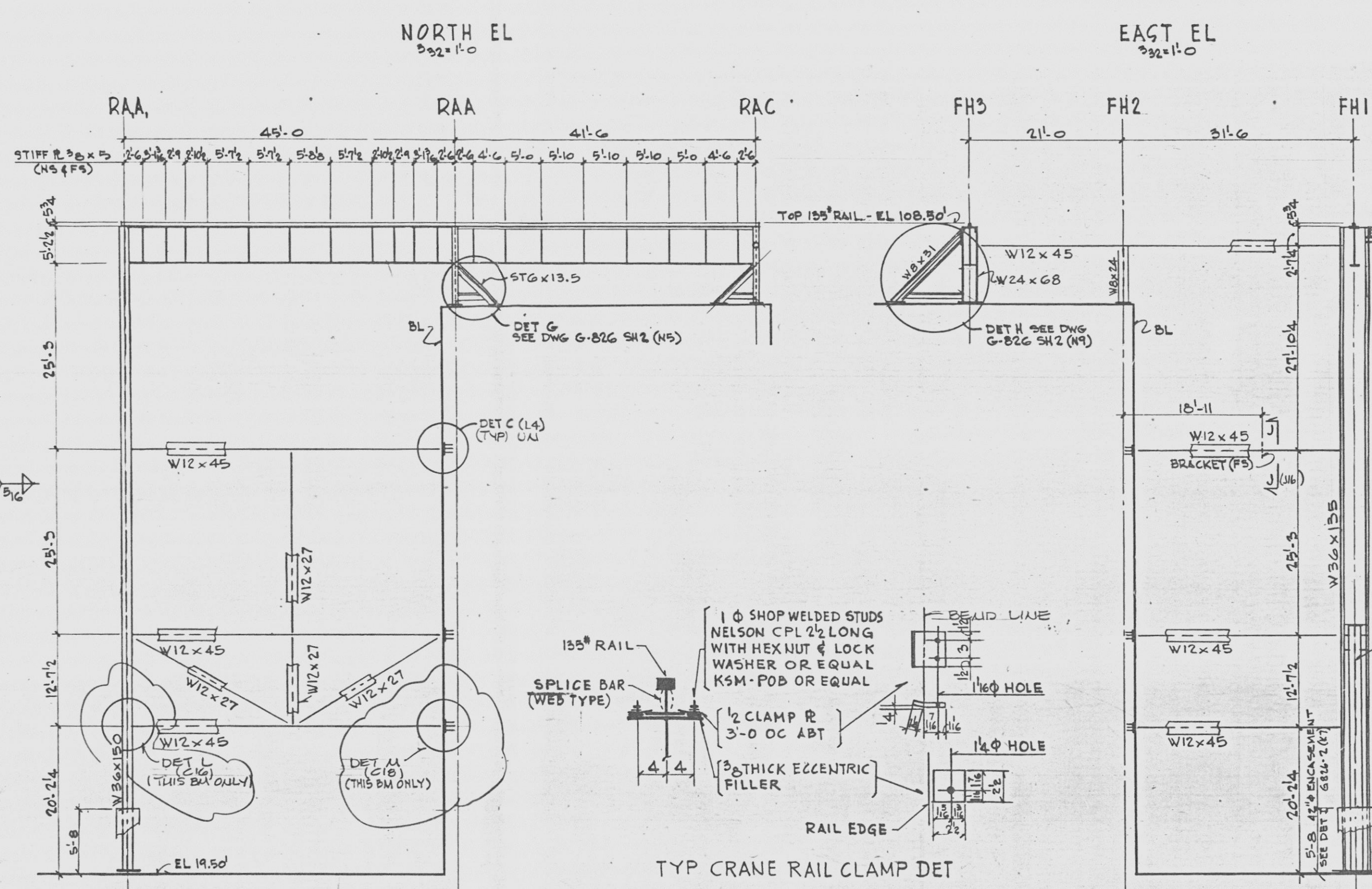
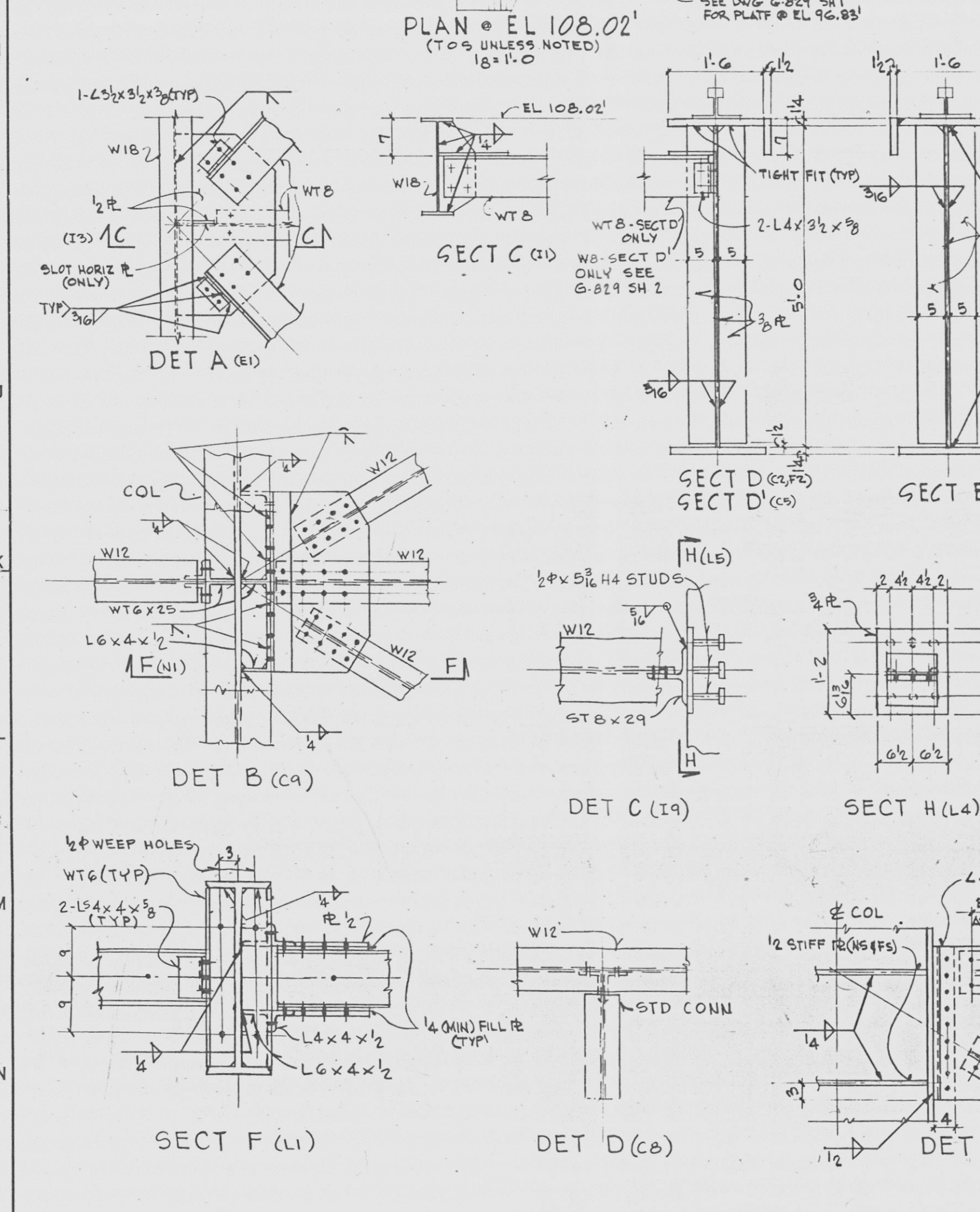
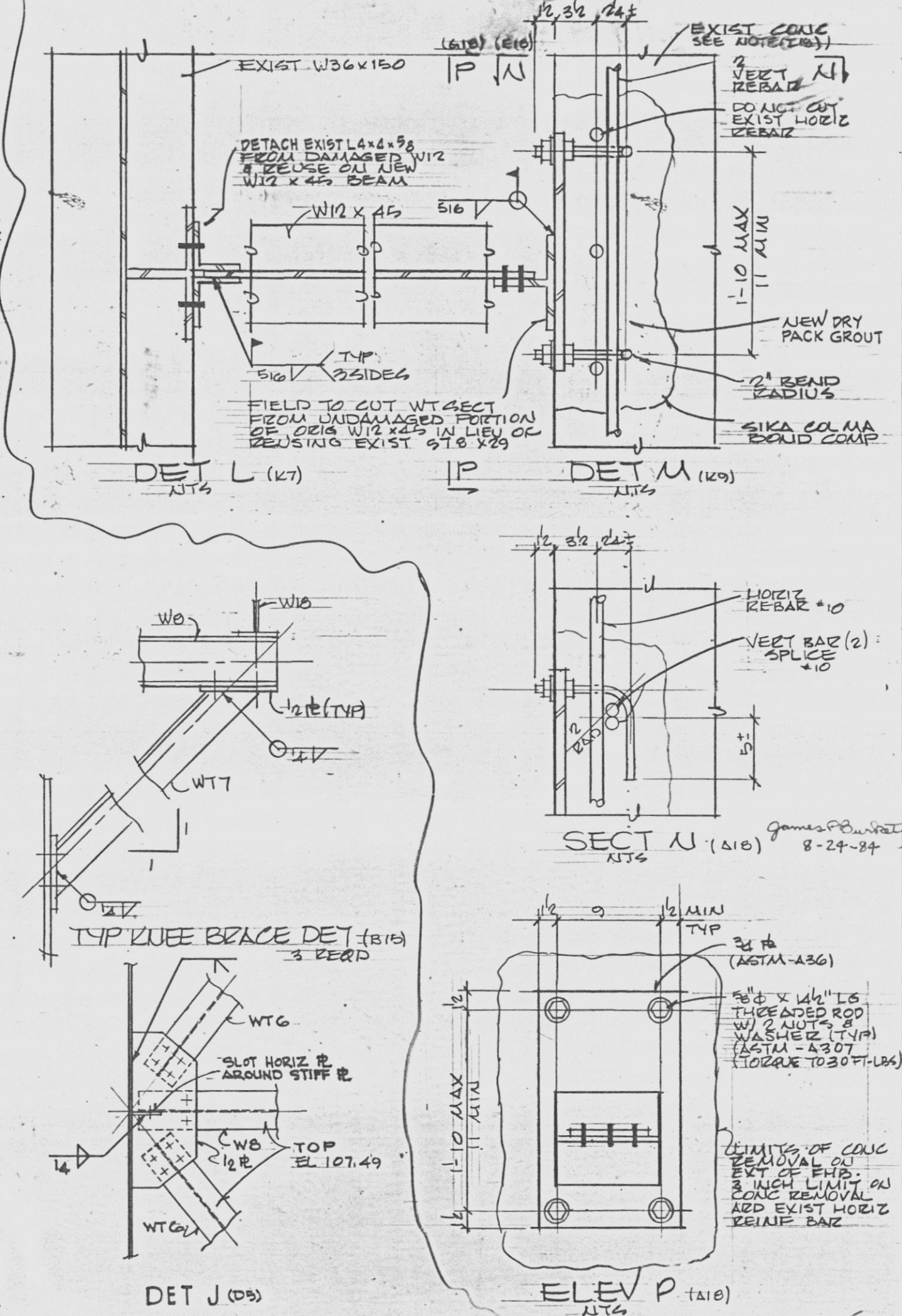
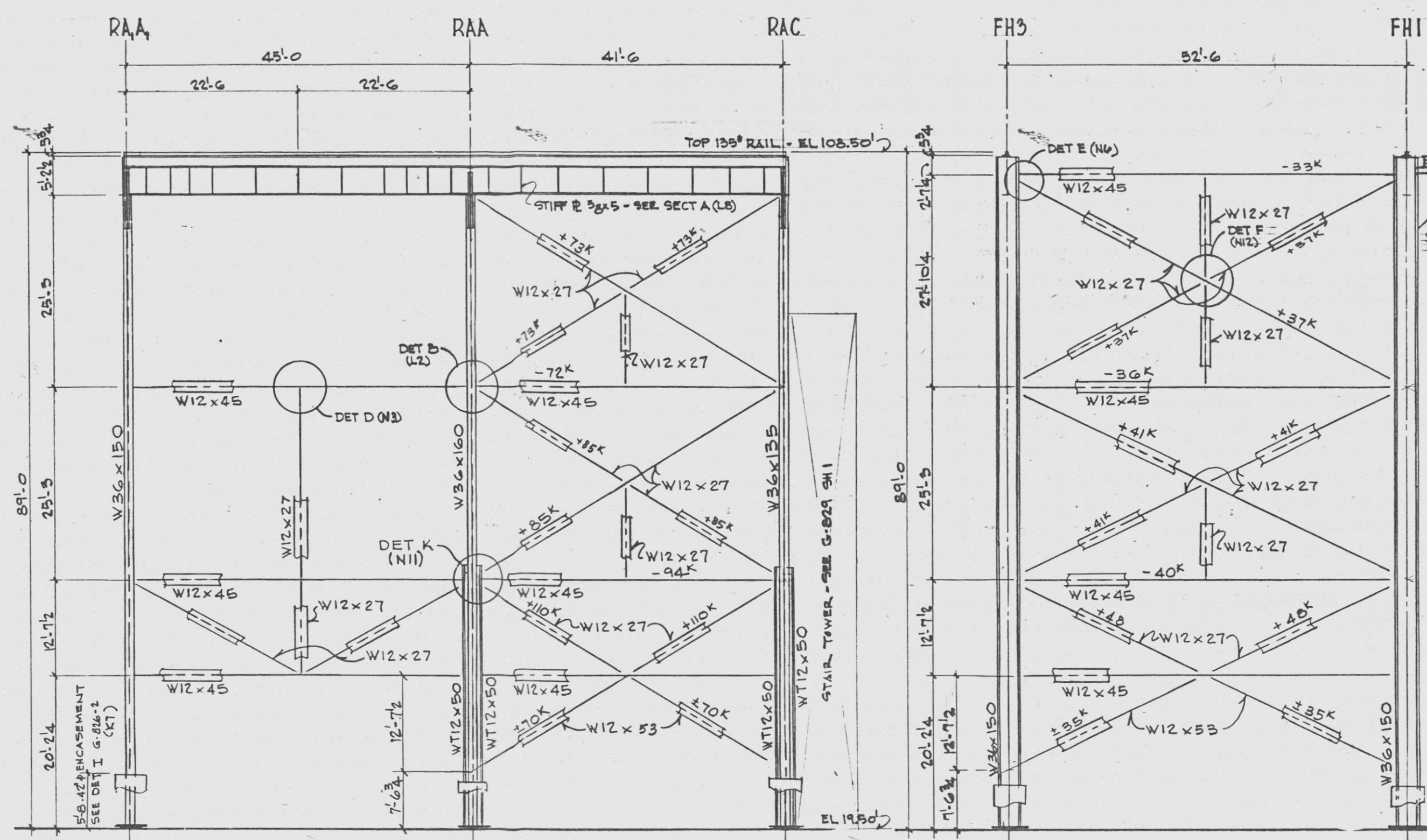
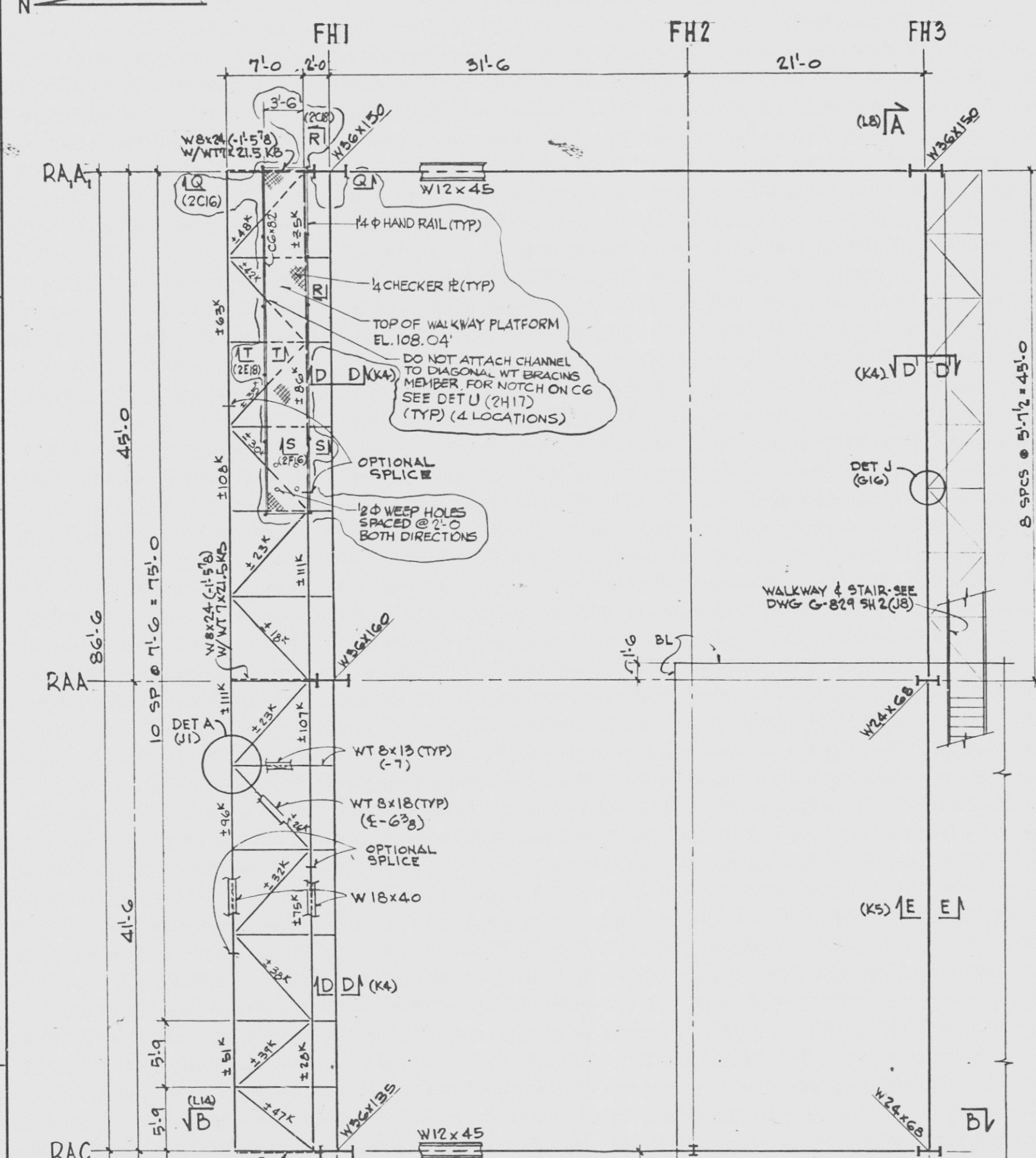


8770-G-826 SH-1



THE DESIGN INFORMATION FOR THE CHANGES SHOWN IN THIS REVISION HAS BEEN ENGINEERED BY FLORIDA POWER & LIGHT COMPANY.

RECEIVED
SEP 01 1984
DRAWING TRANSFERRED
TO FPL 1-31-78
WORK THIS SHEET WITH G-826 SH 2

THIS DOCUMENT IS THE PROPERTY OF EBASCO SERVICES INCORPORATED. ITS USE IS EXPRESSLY RESTRICTED BY THE TERMS OF THE CONTRACT, DATED AS OF AUGUST 10, 1968, BETWEEN EBASCO SERVICES INCORPORATED AND FLORIDA POWER & LIGHT COMPANY.

FLORIDA POWER & LIGHT COMPANY
ST LUCIE PLANT
1973 - 850,000 KW INSTALLATION - UNIT NO. 1
FUEL HANDLING BLDG
STEEL FRAMING SH-1

EBASCO SERVICES INCORPORATED NEW YORK

NO.	DATE	REVISION	BY	CH.	APPROVED
3	8-24-84	ADD: (B2) THRU (D2) FUEL CASK CRANE WALKWAY; (M15) NOTE PER PCM 105-02	JD	CD	[Signature]
2	12-13-77	"AS BUILT"	FG	GKH	[Signature]
1	11-28-72	REVISED: (E2) WTB BRACING, (M14) (E5, H5) DIM	JA	MD	[Signature]

DATE SEPT 14, 72
8770-G-826 SH-1