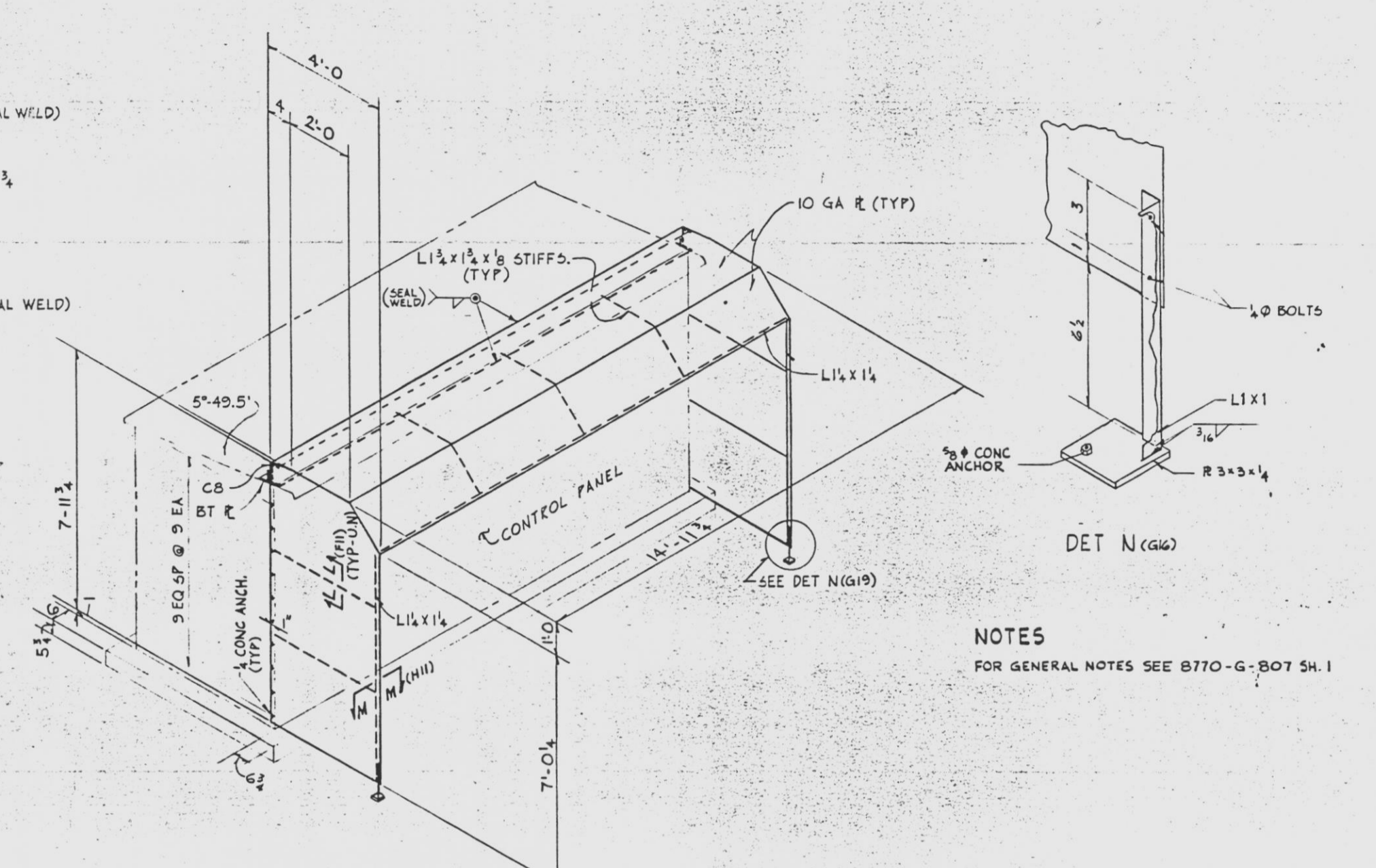
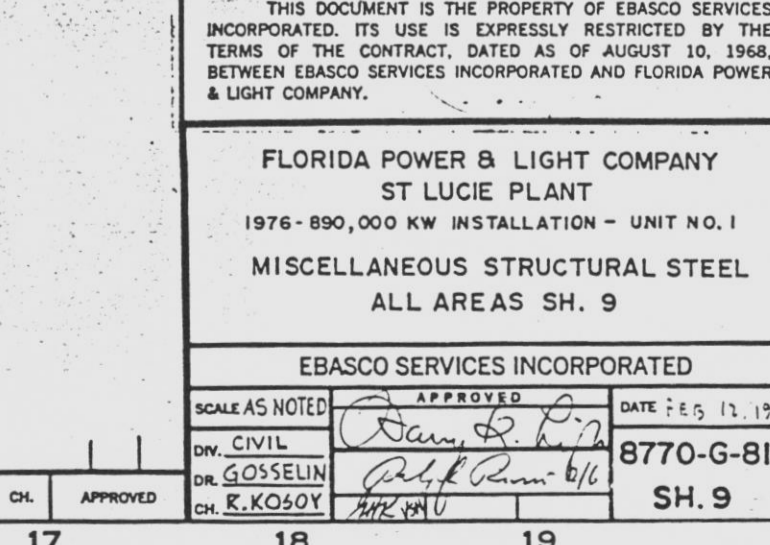
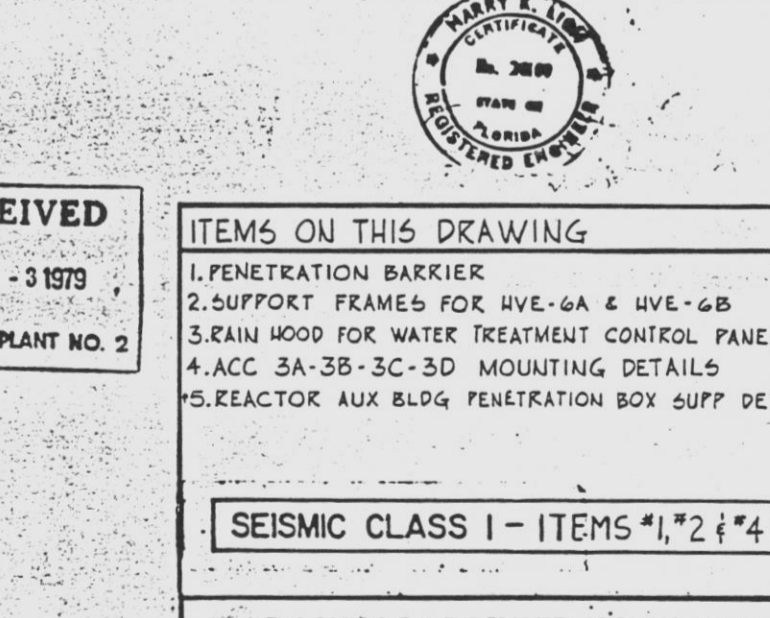
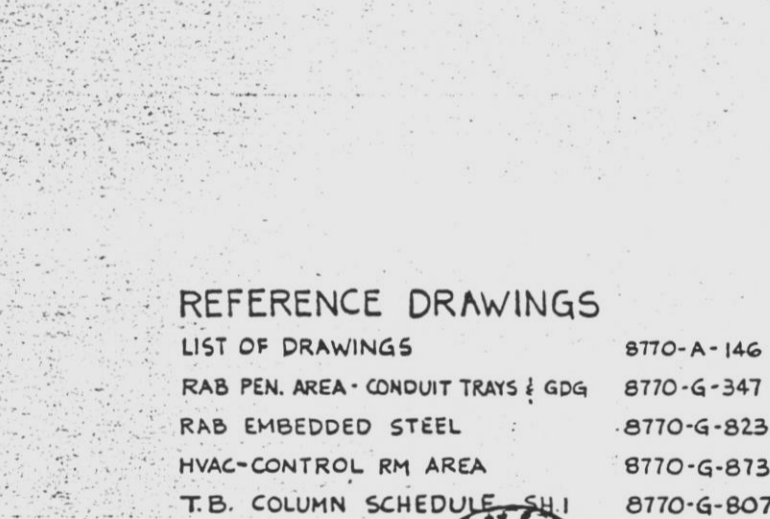
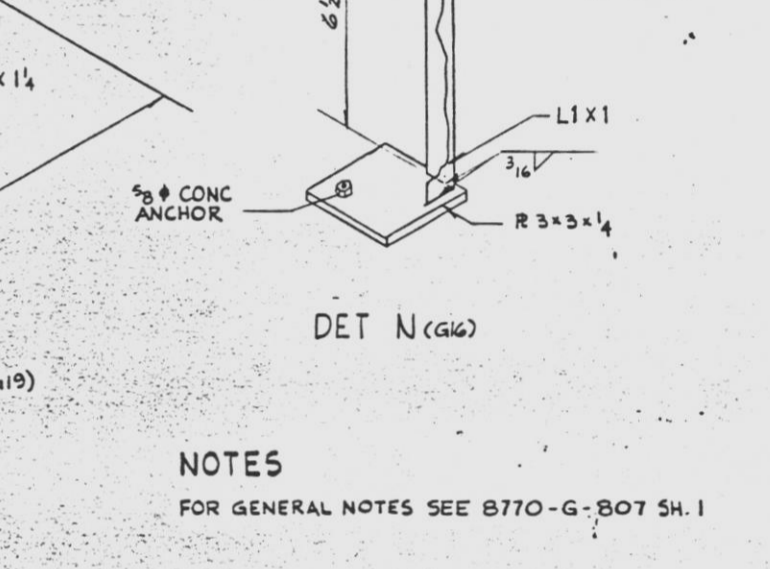
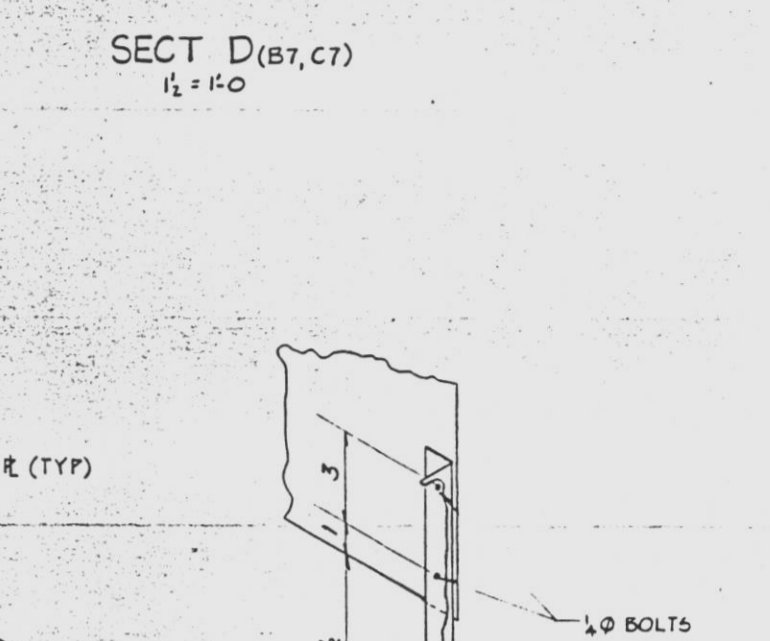
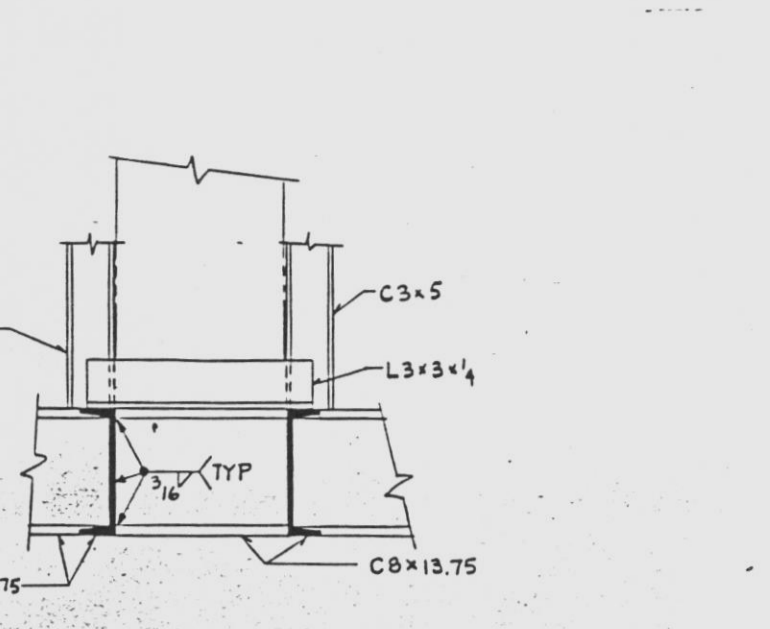
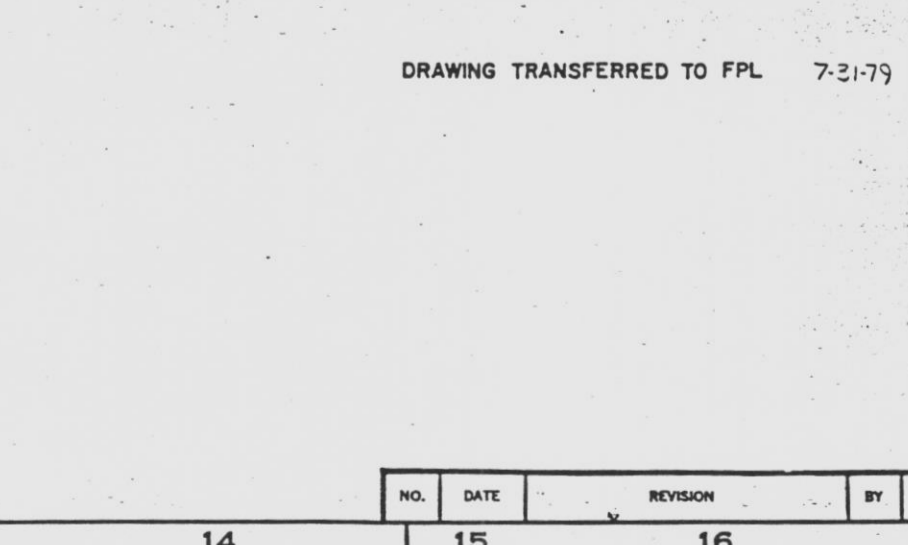
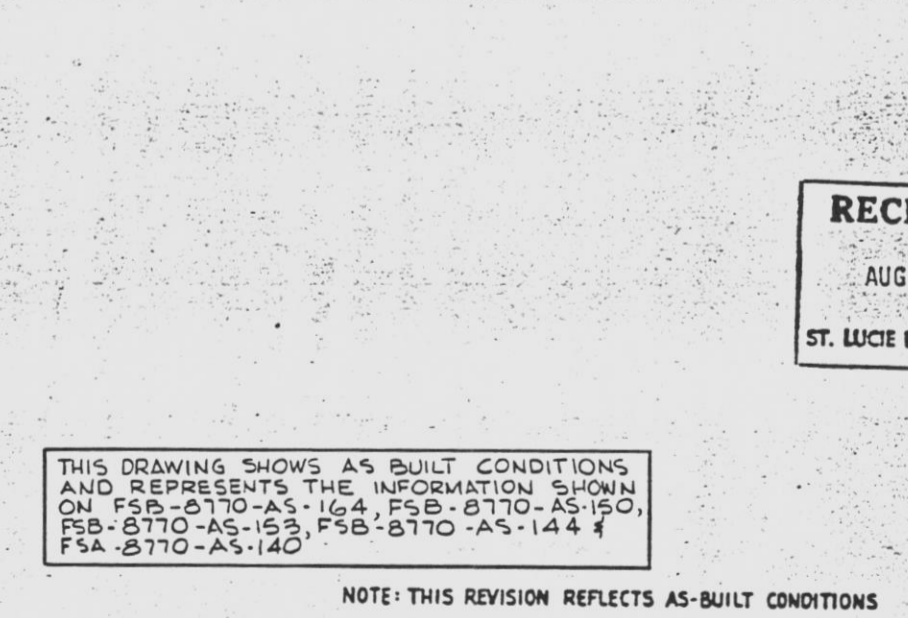
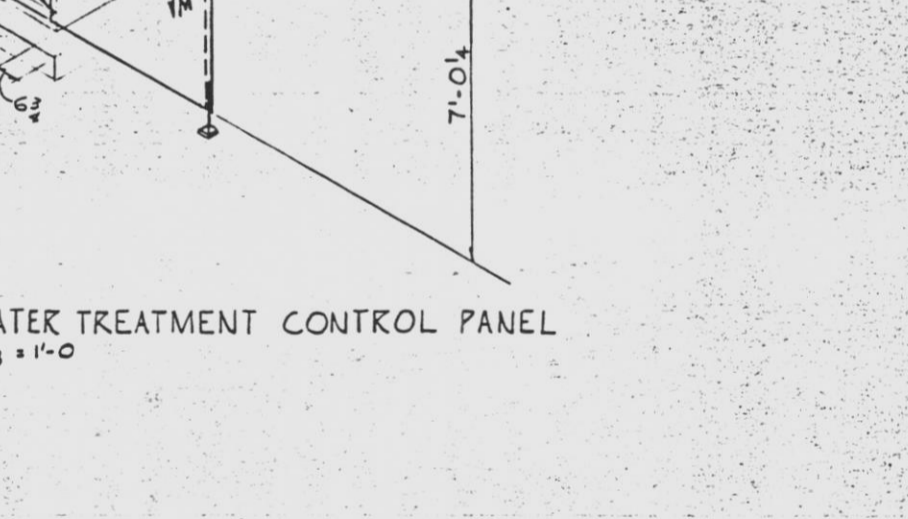
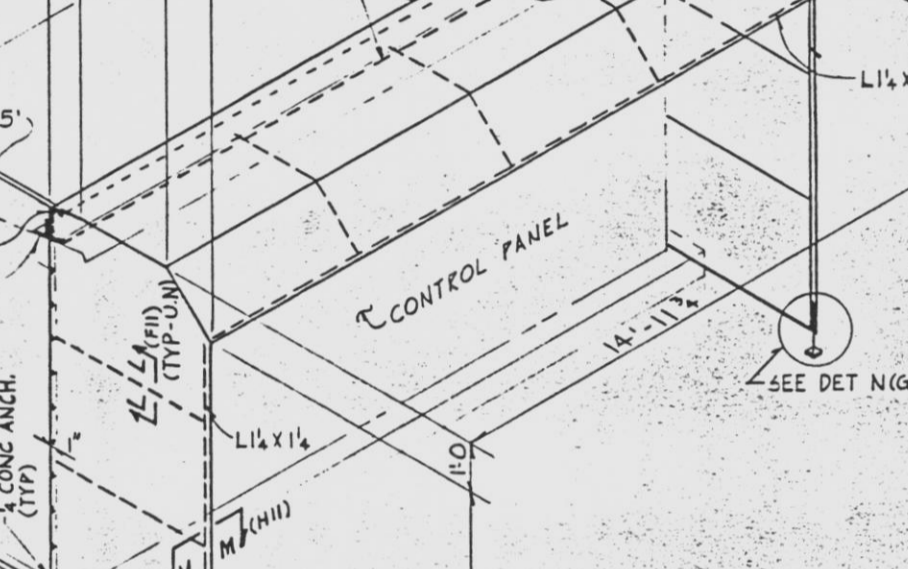
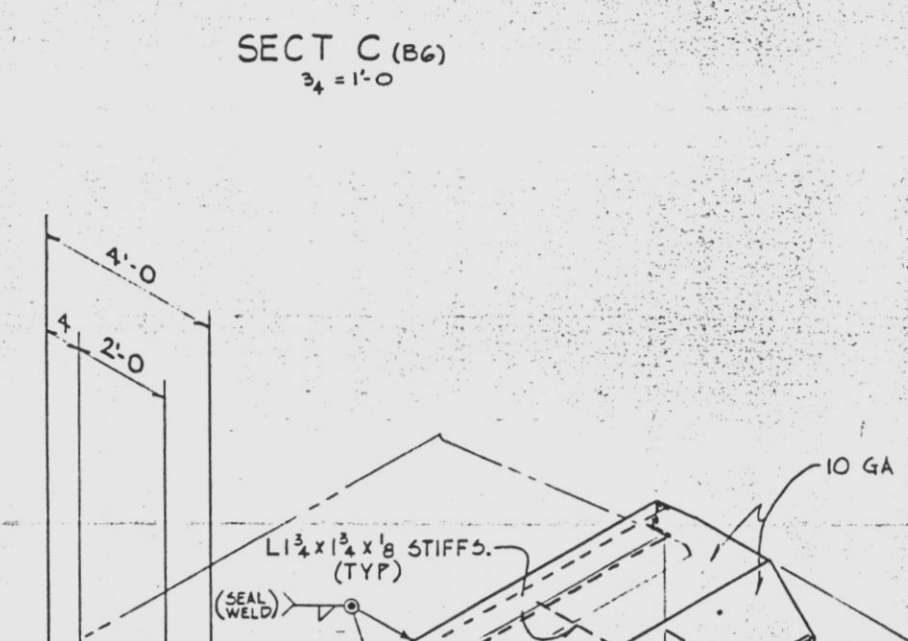
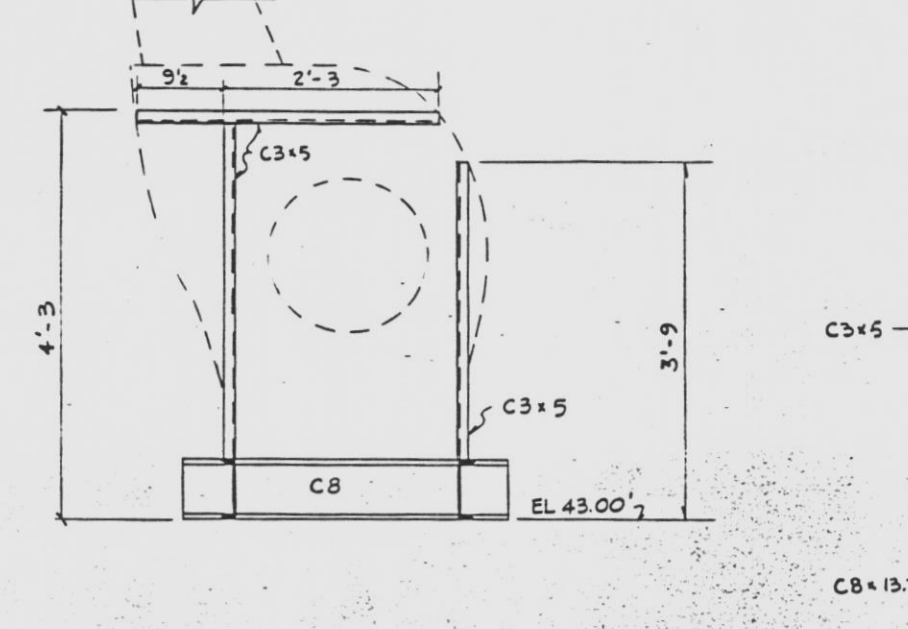
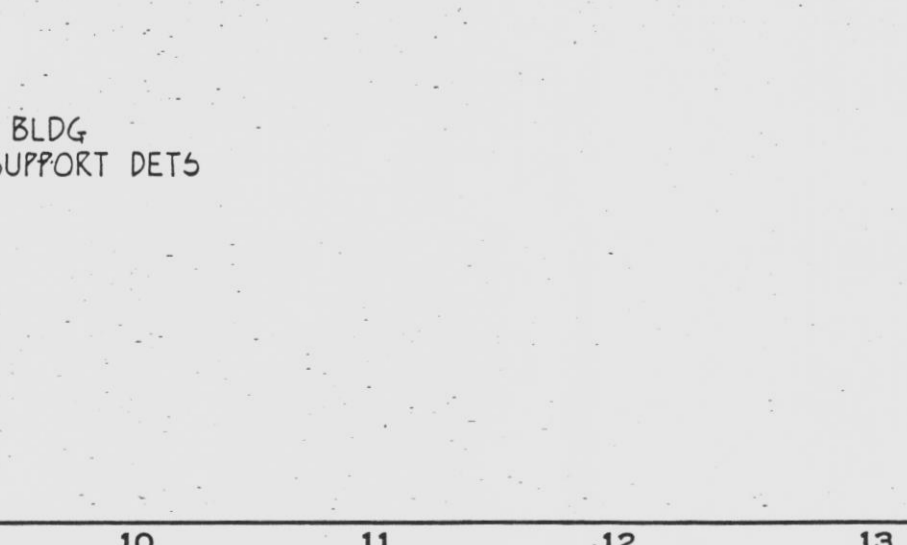
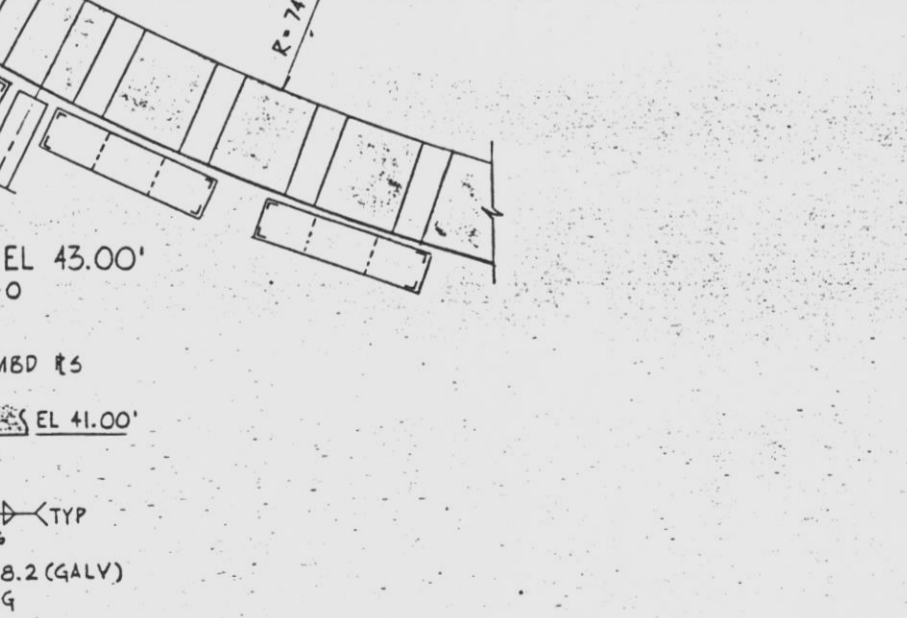
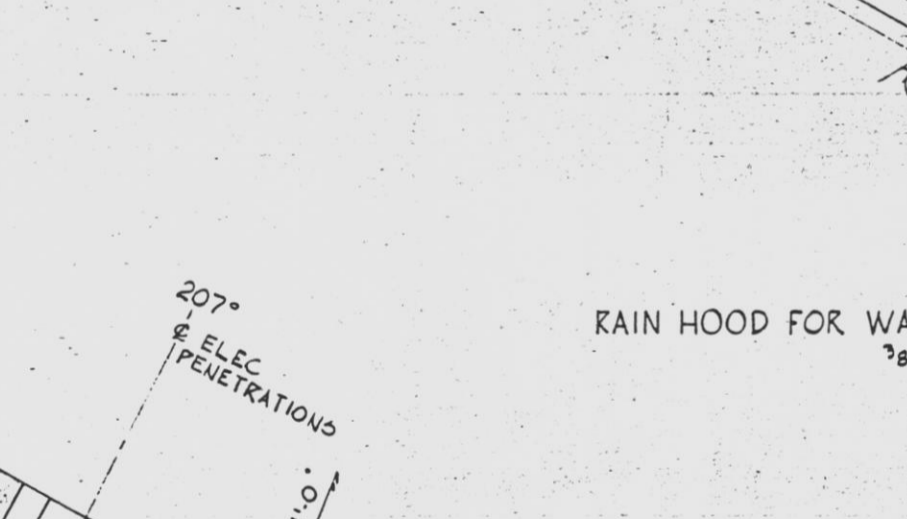
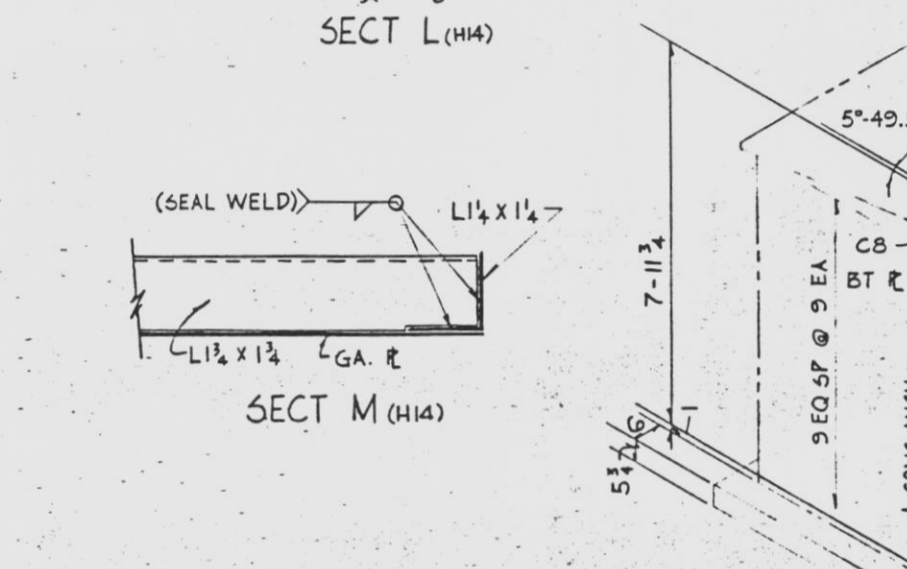
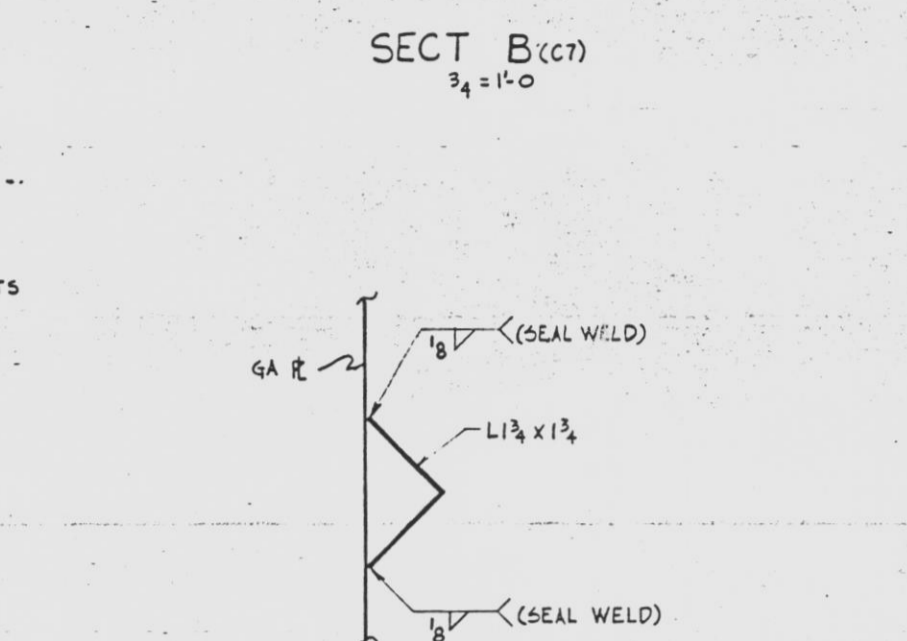
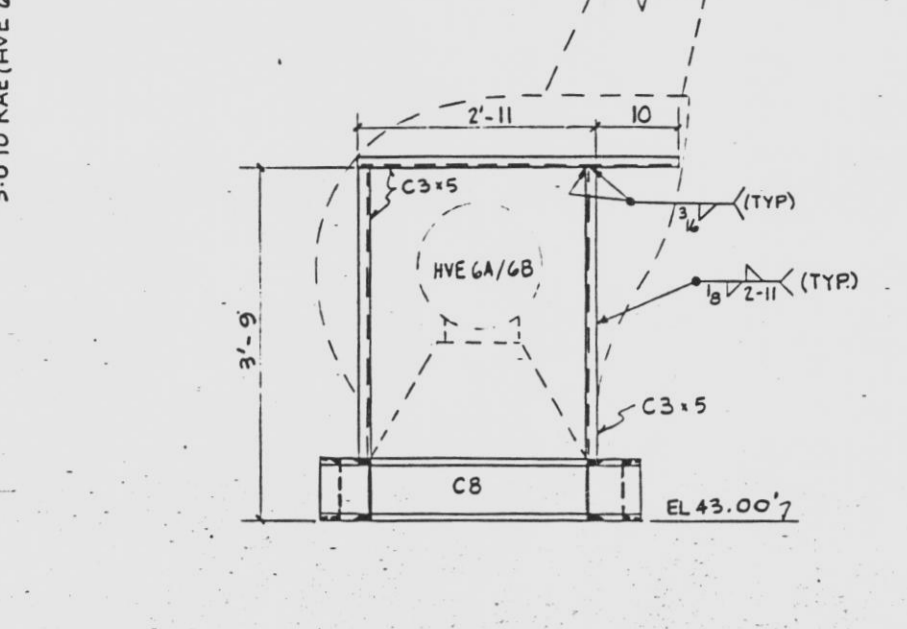
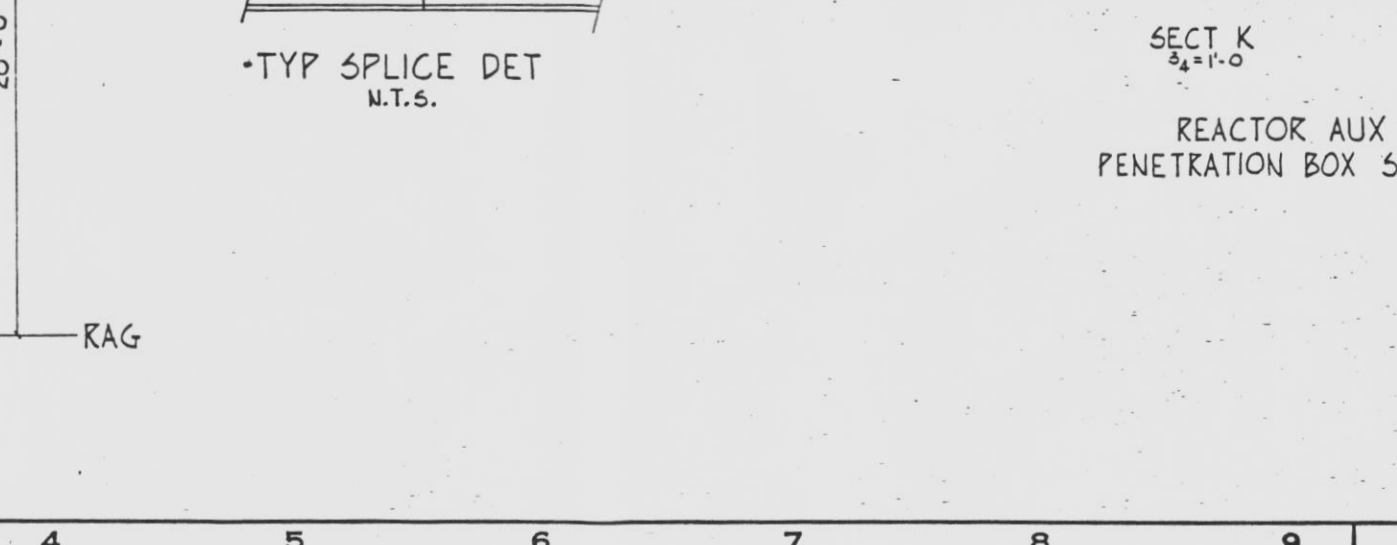
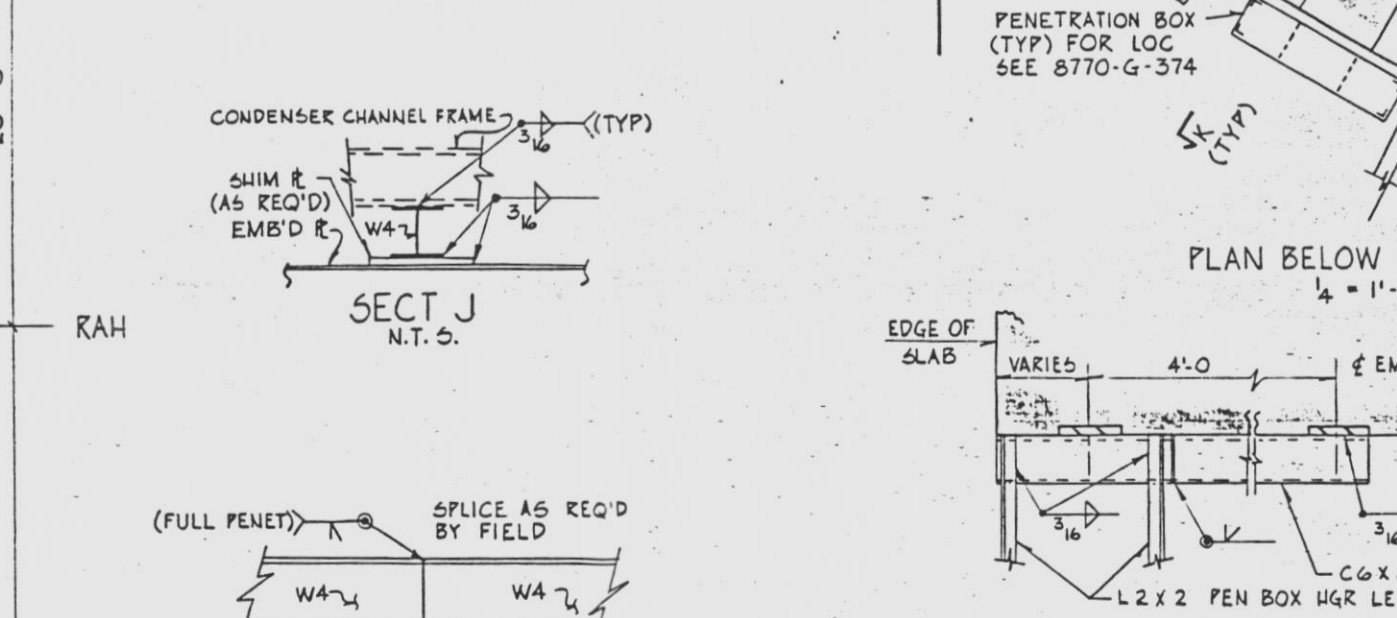
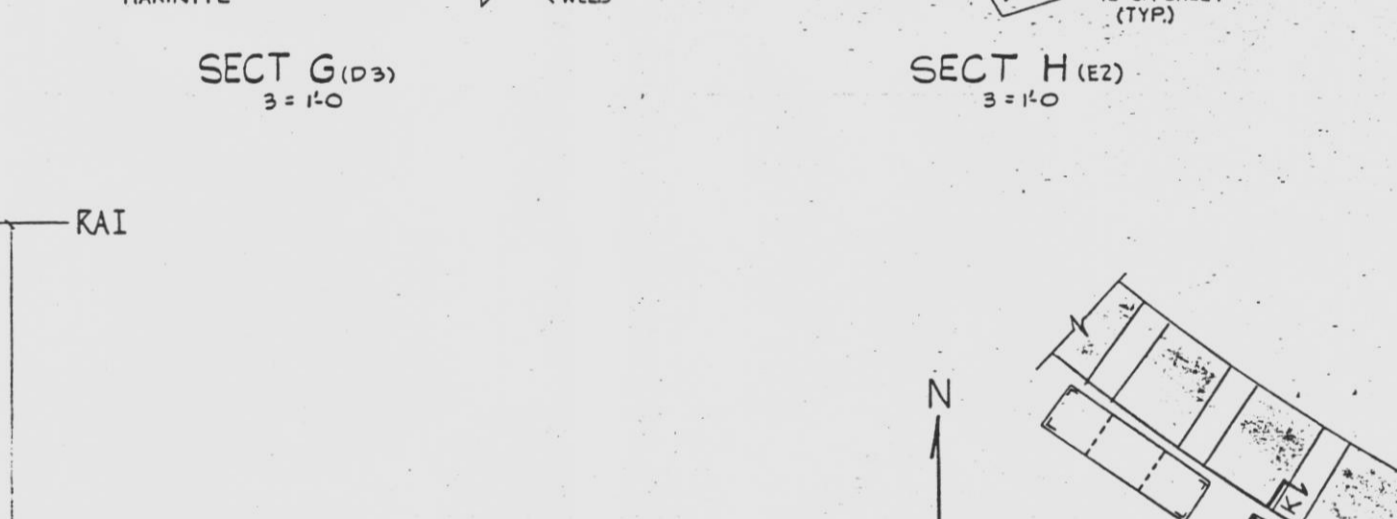
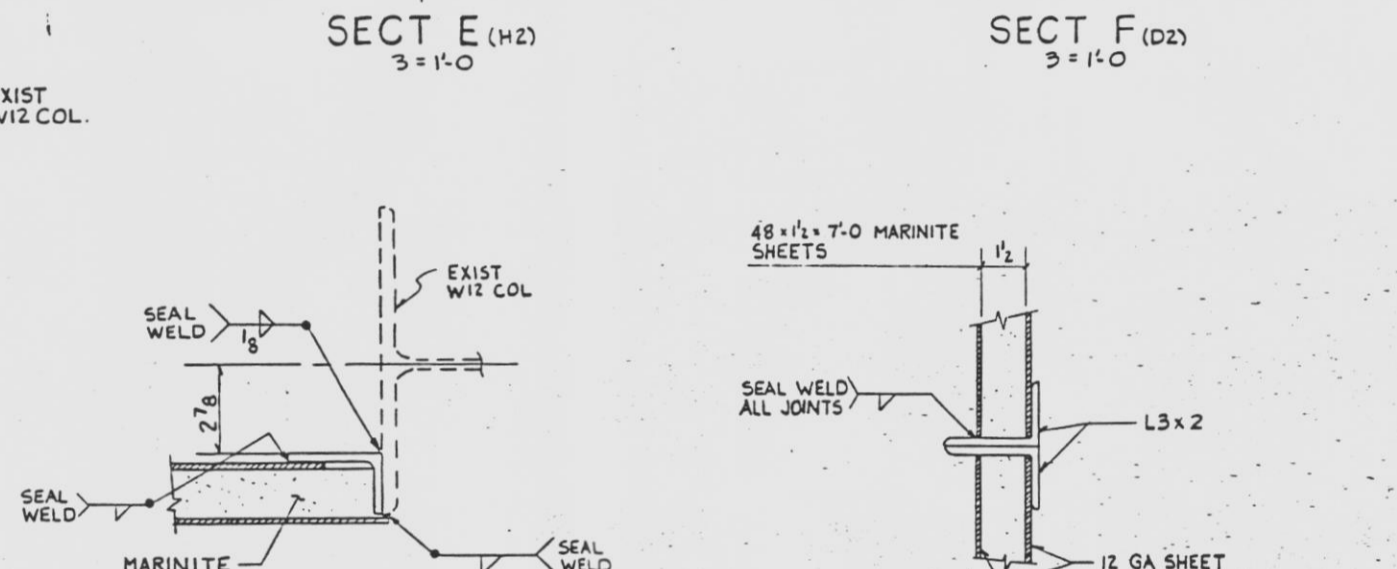
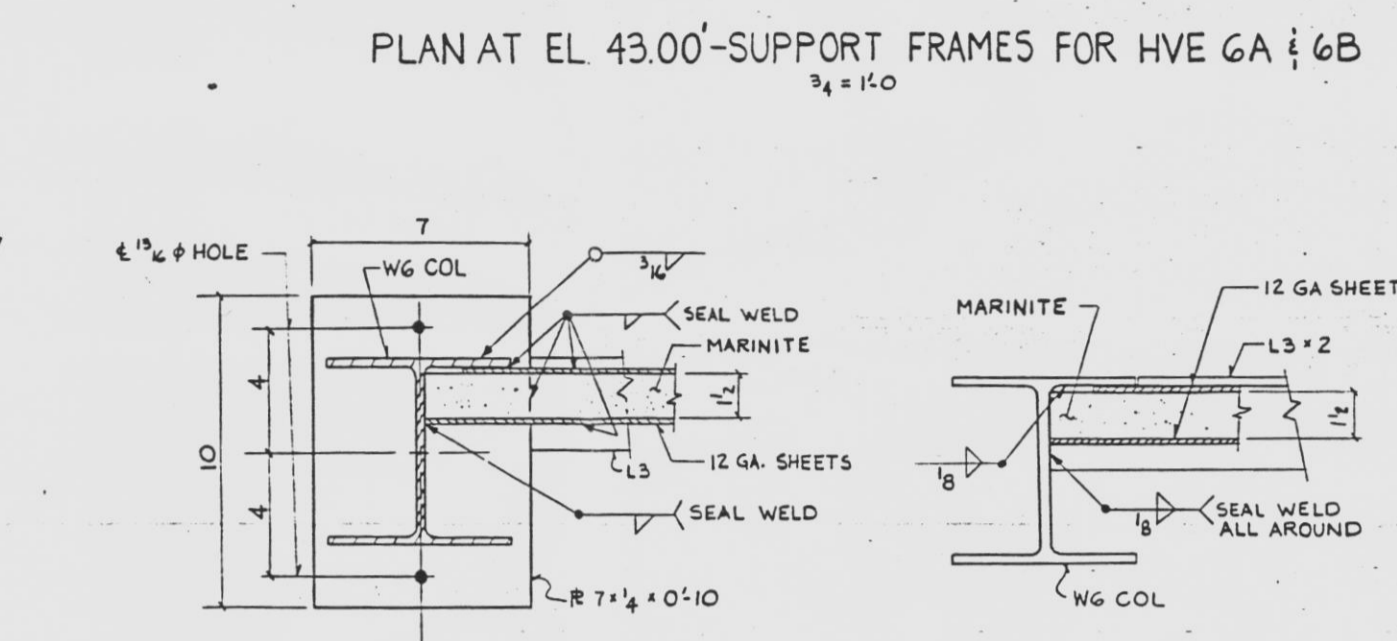
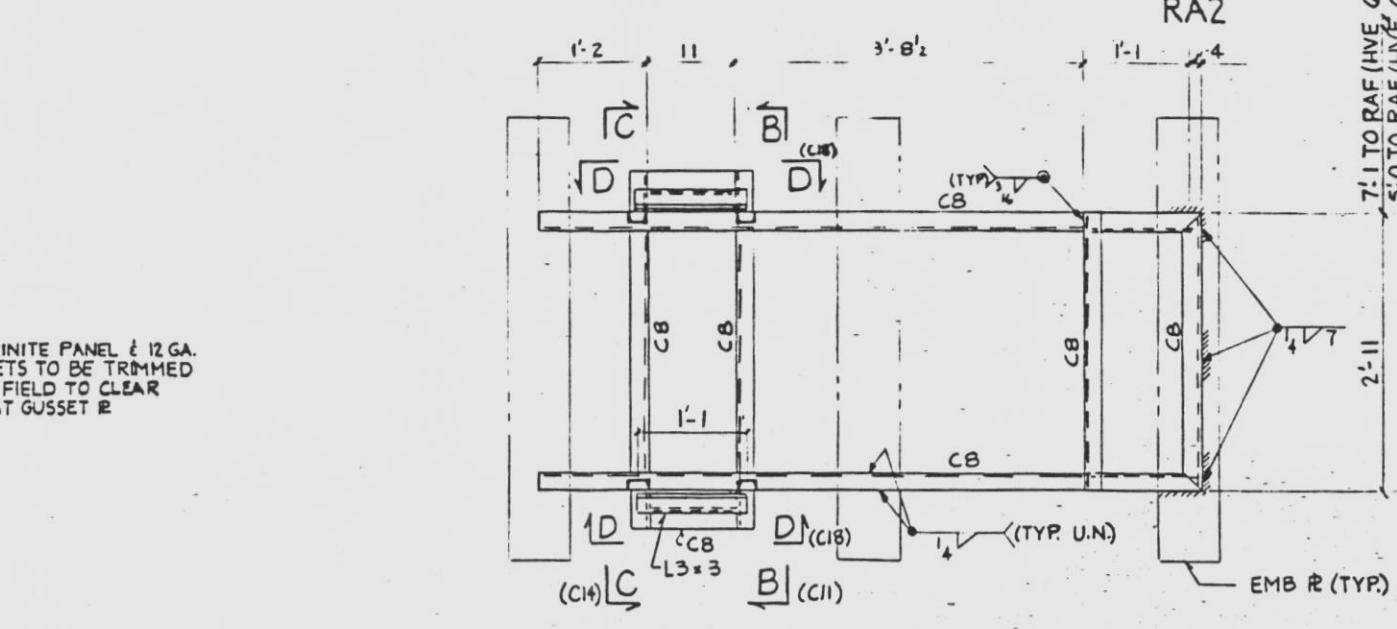
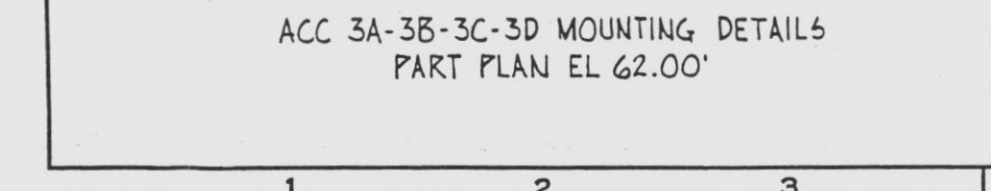
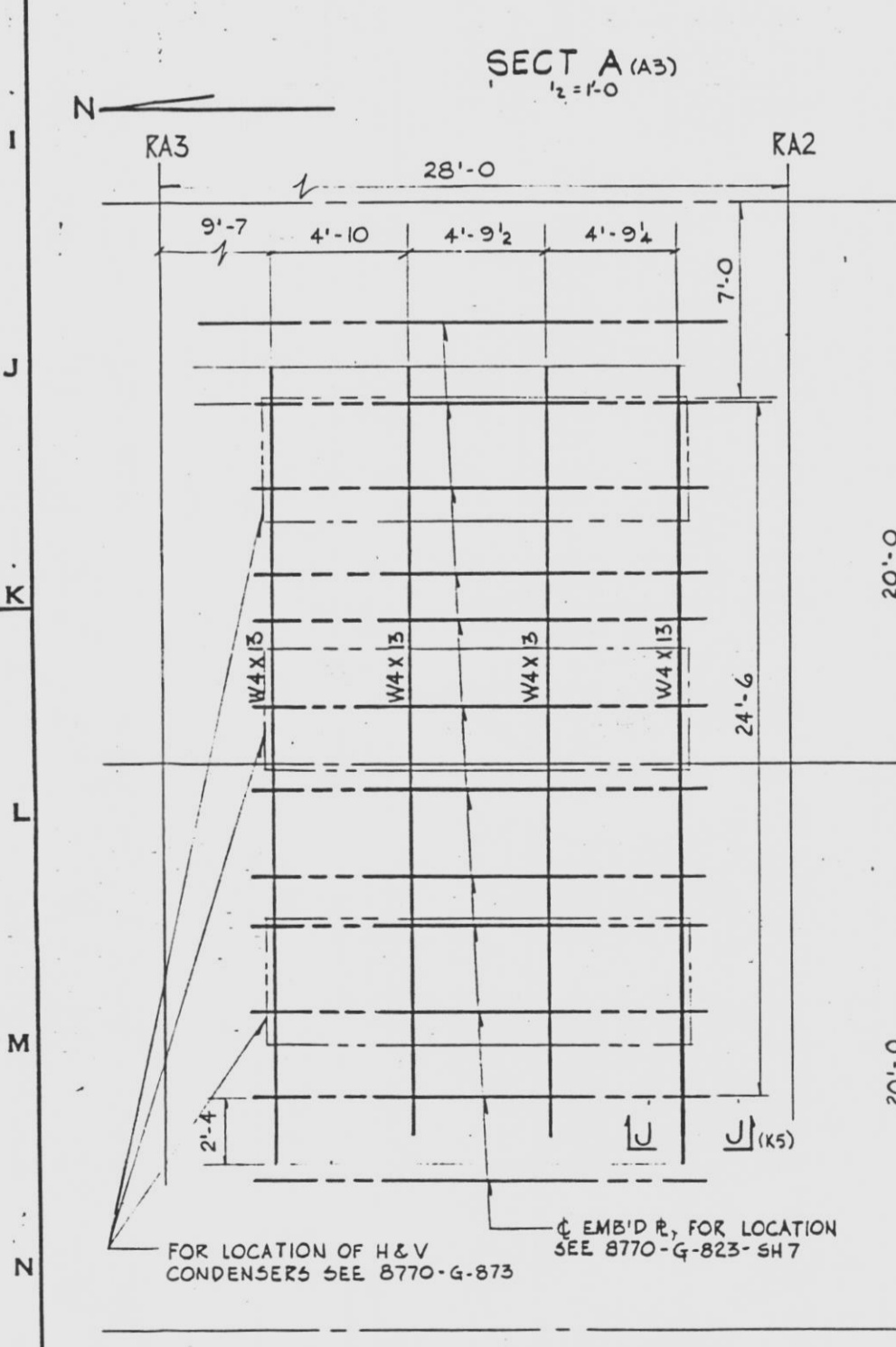
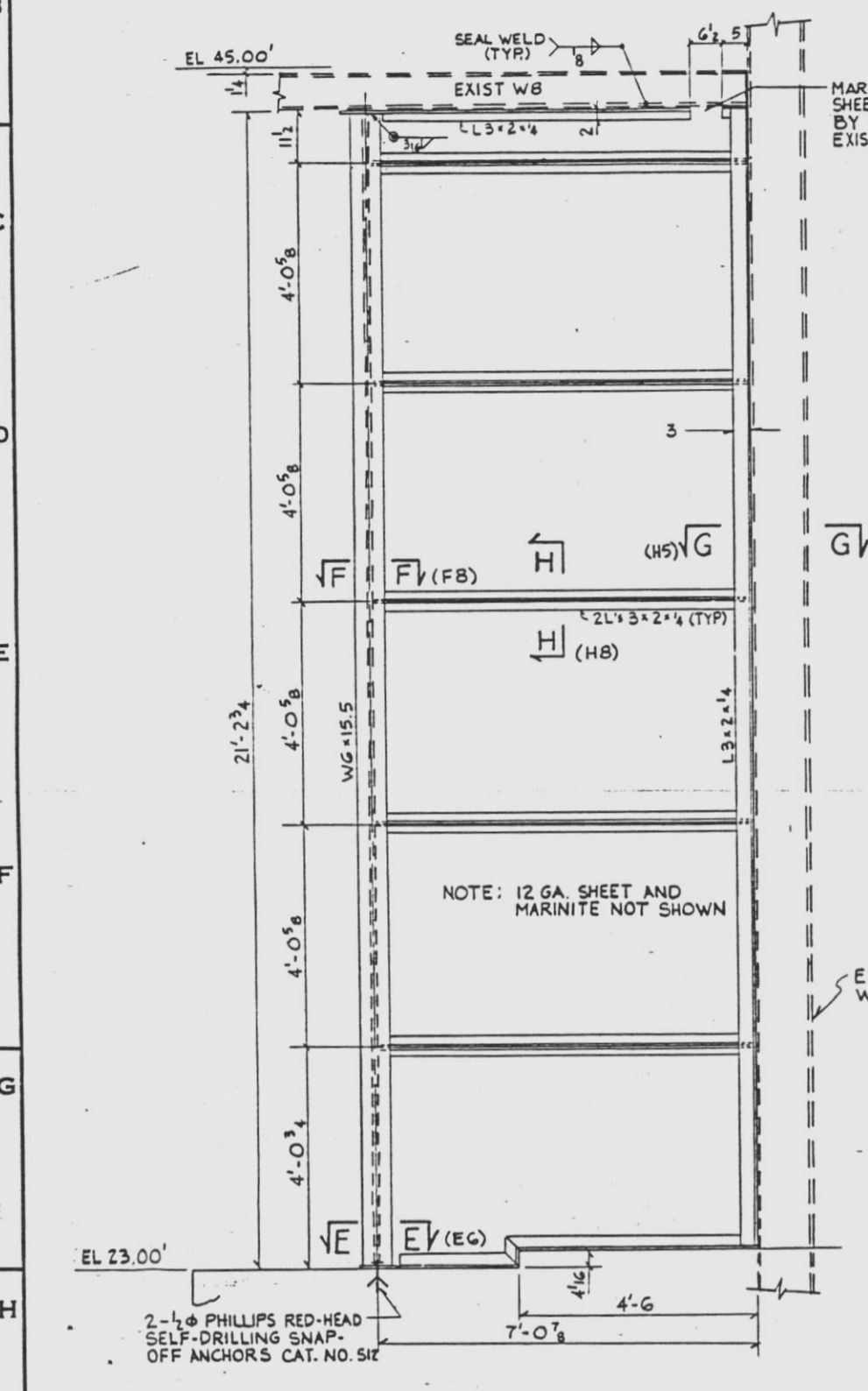
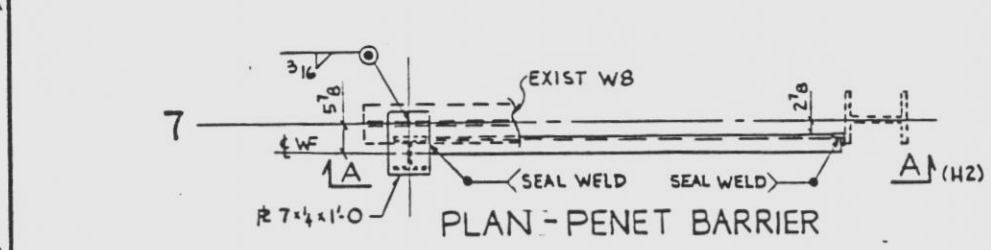


8770-G-814
SH. 9



NOTES
FOR GENERAL NOTES SEE 8770-G-BOT SH. 1

REFERENCE DRAWINGS
LIST OF DRAWINGS
RAB PEN AREA - CONDUIT TRANS & GDS 8770-G-347
RAB EMBEDDED STEEL 8770-G-823
HVAC-CONTROL RM AREA 8770-G-873
T.B. COLUMN SCHEDULE SH. 1 8770-G-807

RECEIVED
AUG - 3 1979
ST. LUCIE PLANT NO. 2

ITEMS ON THIS DRAWING
1. PENETRATION BARRIER
2. SUPPORT FRAMES FOR HVE-GA & HVE-GB
3. RAIN HOOD FOR WATER TREATMENT CONTROL PANEL
4. ACC 3A-3B-3C-3D MOUNTING DETAILS
5. REACTOR AUX BLDG PENETRATION BOX SUPP DETS

SEISMIC CLASS I - ITEMS #1, #2 & #4

THIS DOCUMENT IS THE PROPERTY OF EBASCO SERVICES INCORPORATED. ITS USE IS EXPRESSLY RESTRICTED BY THE TERMS OF THE CONTRACT, DATED AS OF AUGUST 10, 1968, BETWEEN EBASCO SERVICES INCORPORATED AND FLORIDA POWER & LIGHT COMPANY.

FLORIDA POWER & LIGHT COMPANY
ST LUCIE PLANT
1976-890,000 KW INSTALLATION - UNIT NO. 1
MISCELLANEOUS STRUCTURAL STEEL
ALL AREAS SH. 9

EBASCO SERVICES INCORPORATED

SCALE AS NOTED
DATE 7-25-79
DW. CIVIL [Signature] 8770-G-814
DR. GOSSELIN [Signature]
CHK. KOSKOV [Signature] SH. 9

| NO. | DATE | REVISION | BY | CHK. | APPROVED |
|-----|------|----------|----|------|----------|
| | | | | | |

E