

Geometry Composer Report

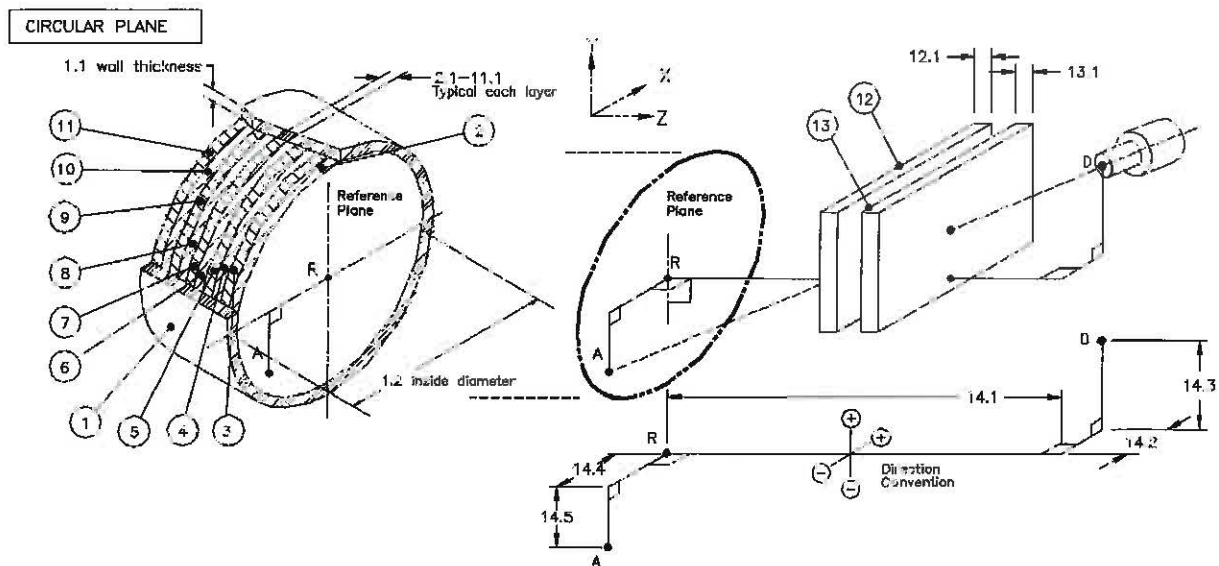
Date: Thursday, October 26, 2017 - 09:47:16
Description: CRIBHOUSE 3M
Comment: CRIBHOUSE 3M
File Name: C:\GENIE2K\isocs\data\GEOMETRY\In-Situ\CIRCULAR_PLANE\CRIBHOUSE 3M.geo
Software: ISOCS
Template: CIRCULAR_PLANE, Version: (default)
Detector: 5456
Collimator: 50mm-90d new (newISOCS 50mm side 90deg collimation [large hole collimator])
Environment: Temperature = 22 °C, Pressure = 760 mm Hg, Relative Humidity = 30%
Integration: Convergence = 1.00%, MDRPN = 2⁴ (16), CRPN = 2⁴ (16)

Dimensions (m)

No.	Description	d.1	d.2	d.3	d.4	d.5	d.6	Material	Density	Rel. Conc.
1	Side Walls	0	6					none		
2	Layer 1	0.0127						concrete	2.3	1.00
3	Layer 2	0						<none>		
4	Layer 3	0						<none>		
5	Layer 4	0						<none>		
6	Layer 5	0						<none>		
7	Layer 6	0						<none>		
8	Layer 7	0						<none>		
9	Layer 8	0						<none>		
10	Layer 9	0						<none>		
11	Layer 10	0						<none>		
12	Absorber1									
13	Absorber2									
14	Source-Detector	3	0	0	0	0				

List of energies for efficiency curve generation

59.5	63.3	88.0	122.1	143.8	165.9	185.7	238.6
351.9	391.7	583.2	661.7	898.0	911.6	1001.0	1173.2
1332.5	1460.7	1764.5	1836.1				



Geometry Composer Report

Date: Thursday, October 26, 2017 - 09:47:16
Description: CRIBHOUSE 3M
Comment: CRIBHOUSE 3M
File Name: C:\GENIE2K\isocs\data\GEOMETRY\In-Situ\CIRCULAR_PLANE\CRIBHOUSE 3M.geo
Software: ISOCS
Template: CIRCULAR_PLANE, Version: (default)

