

Geometry Composer Report

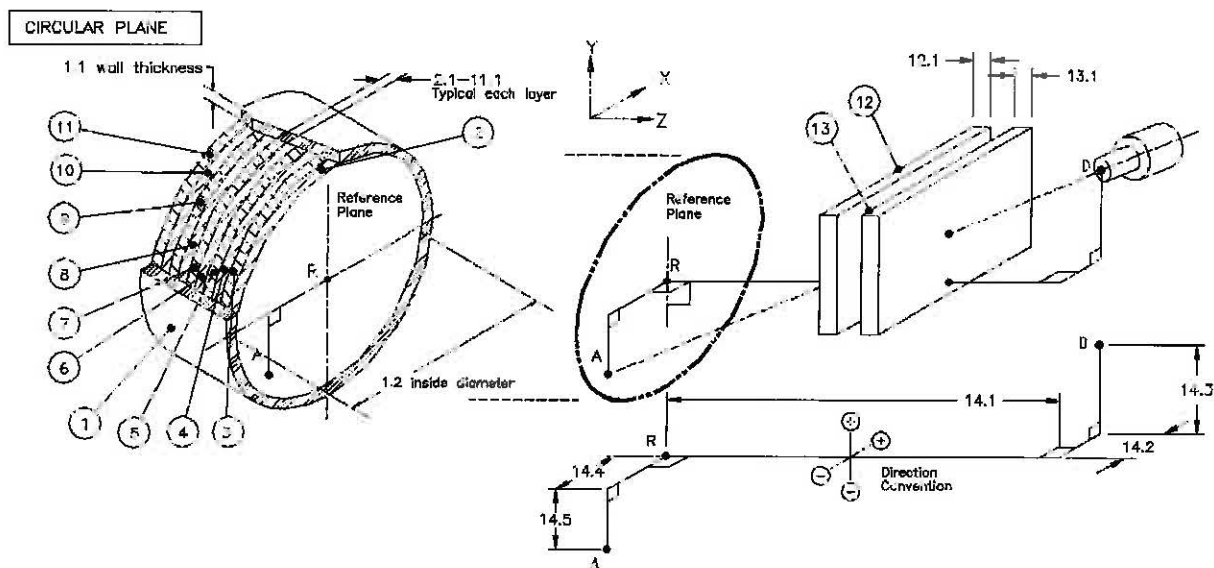
Date: Wednesday, October 18, 2017 - 10:03:19
Description: 3M TURBINE
Comment: 3M TURBINE
File Name: C:\GENIE2K\isocs\data\GEOMETRY\In-Situ\CIRCULAR_PLANE\3M TURBINE.geo
Software: ISOCS
Template: CIRCULAR_PLANE, Version: (default)
Detector: 5456
Collimator: 50mm-90d old (oldISOCS 50mm side 90deg collimation [large hole collimator])
Environment: Temperature = 22 °C, Pressure = 760 mm Hg, Relative Humidity = 30%
Integration: Convergence = 1.00%, MDRPN = 2⁴ (16), CRPN = 2⁴ (16)

Dimensions (m)

No.	Description	d.1	d.2	d.3	d.4	d.5	d.6	Material	Density	Rel. Conc.
1	Side Walls	0.016002	2.7432					csteel	7.9	
2	Layer 1	9.144						dryair	0.0013	0.90
3	Layer 2	0.016002						csteel	7.9	0.10
4	Layer 3	0						<none>		
5	Layer 4	0						<none>		
6	Layer 5	0						<none>		
7	Layer 6	0						<none>		
8	Layer 7	0						<none>		
9	Layer 8	0						<none>		
10	Layer 9	0						<none>		
11	Layer 10	0						<none>		
12	Absorber1									
13	Absorber2									
14	Source-Detector	0.3048	0	0	0	0				

List of energies for efficiency curve generation

59.5	63.3	88.0	122.1	143.8	165.9	185.7	238.6
351.9	391.7	583.2	661.7	898.0	911.6	1001.0	1173.2
1332.5	1460.7	1764.5	1836.1				



Geometry Composer Report

Date: Wednesday, October 18, 2017 - 10:03:19
Description: 3M TURBINE
Comment: 3M TURBINE
File Name: C:\GENIE2K\isocs\data\GEOMETRY\In-Situ\CIRCULAR_PLANE\3M TURBINE.geo
Software: ISOCS
Template: CIRCULAR_PLANE, Version: (default)

