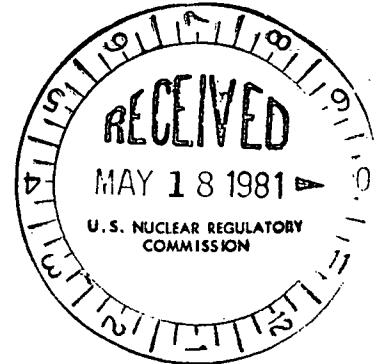




**Consumers
Power
Company**

General Offices: 212 West Michigan Avenue, Jackson, Michigan 49201 • (517) 788-0550

May 15, 1981



Director, Nuclear Reactor Regulation
Att Mr Dennis M Crutchfield, Chief
Operating Projects Branch No 5
US Nuclear Regulatory Commission
Washington, DC 20555

DOCKET 50-255-LICENSE DPR-20 -
PALISADES PLANT - SEP TOPIC III-10.A-THERMAL OVERLOAD PROTECTION
FOR MOTORS OF MOTOR-OPERATED VALVES

By letter dated July 11, 1980, the NRC transmitted for comment a draft evaluation of SEP Topic III-10.A. This evaluation was based on information submitted by Consumers Power Co to the NRC in a letter dated March 3, 1980. We have completed our review of the draft topic evaluation and find it acceptable without comment.

During our review, however, it was discovered that information on four valves was inadvertently omitted from our March 3, 1980 submittal. These valves are MO 2169, MO 2170, MO 2140 and MO 2087. For completeness, the control circuit schematics for these valves are attached. As was the case with the other valves included in this topic, these four additional valves meet current licensing criteria. In all cases the automatic control circuits terminate valve motion with position limit switches, and the motor thermal overload devices provide alarms only. The conclusions of the draft evaluation, therefore, remain valid without additional changes.

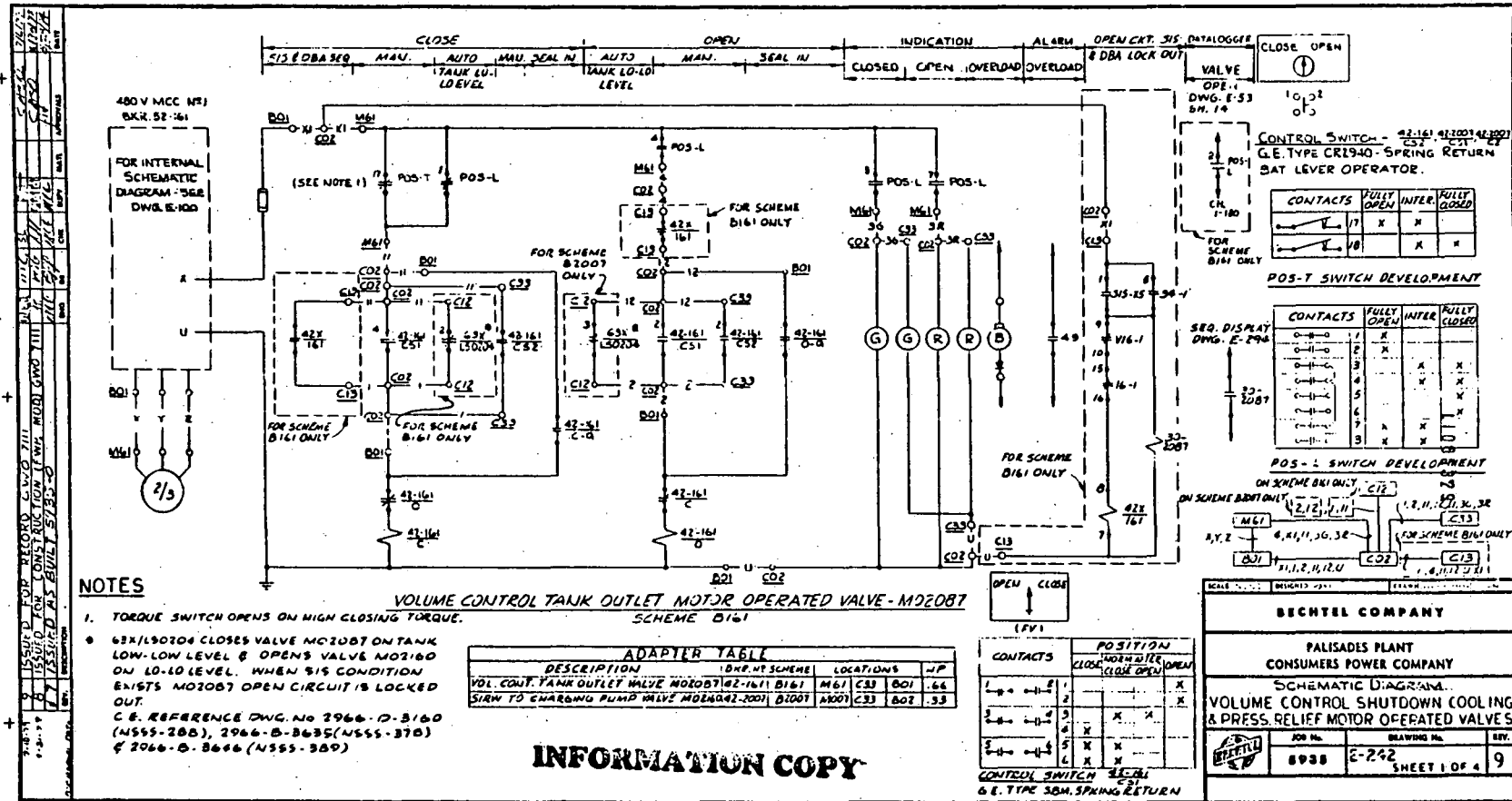
Robert A Vincent
Staff Licensing Engineer

CC Director, Region III, USNRC
NRC Resident Inspector-Palisades

A035
s
1/1

p 8105190 095

TONR 19-81



NOTES

1. TORQUE SWITCH OPENS ON HIGH CLOSING TORQUE.
 2. 63X150704 CLOSES VALVE M02007 ON TANK LOW-LOW LEVEL & OPENS VALVE M02100 ON LO-LO LEVEL. WHEN SIS CONDITION EXISTS M02007 OPEN CIRCUIT IS LOCKED OUT.
- C.E. REFERENCE DWG. NO 2966-D-3160 (N555-280), 2966-B-8635 (N555-370) & 2966-B-8646 (N555-380)

VOLUME CONTROL TANK OUTLET MOTOR OPERATED VALVE-M02007
SCHEME B161

DESCRIPTION	DWG. NO. SCHEME	LOCATION/DWG	J/P
VOL. CONT. TANK OUTLET VALVE M02007	42-161 B161	M67 C33 B01	66
SIRW TO EMERGENCY PUMP VALVE M02002	2001 B2007	M001 C33 B02	33

INFORMATION COPY

CONTACTS	POSITION		
	CLOSE	NORM. POS.	OPEN
1 → 2			X
2 → 3		X	X
3 → 4	X	X	
4 → 5	X	X	
5 → 6	X	X	

CONTROL SWITCH 42-161
G.E. TYPE 35M, SPRING RETURN

BECHTEL COMPANY

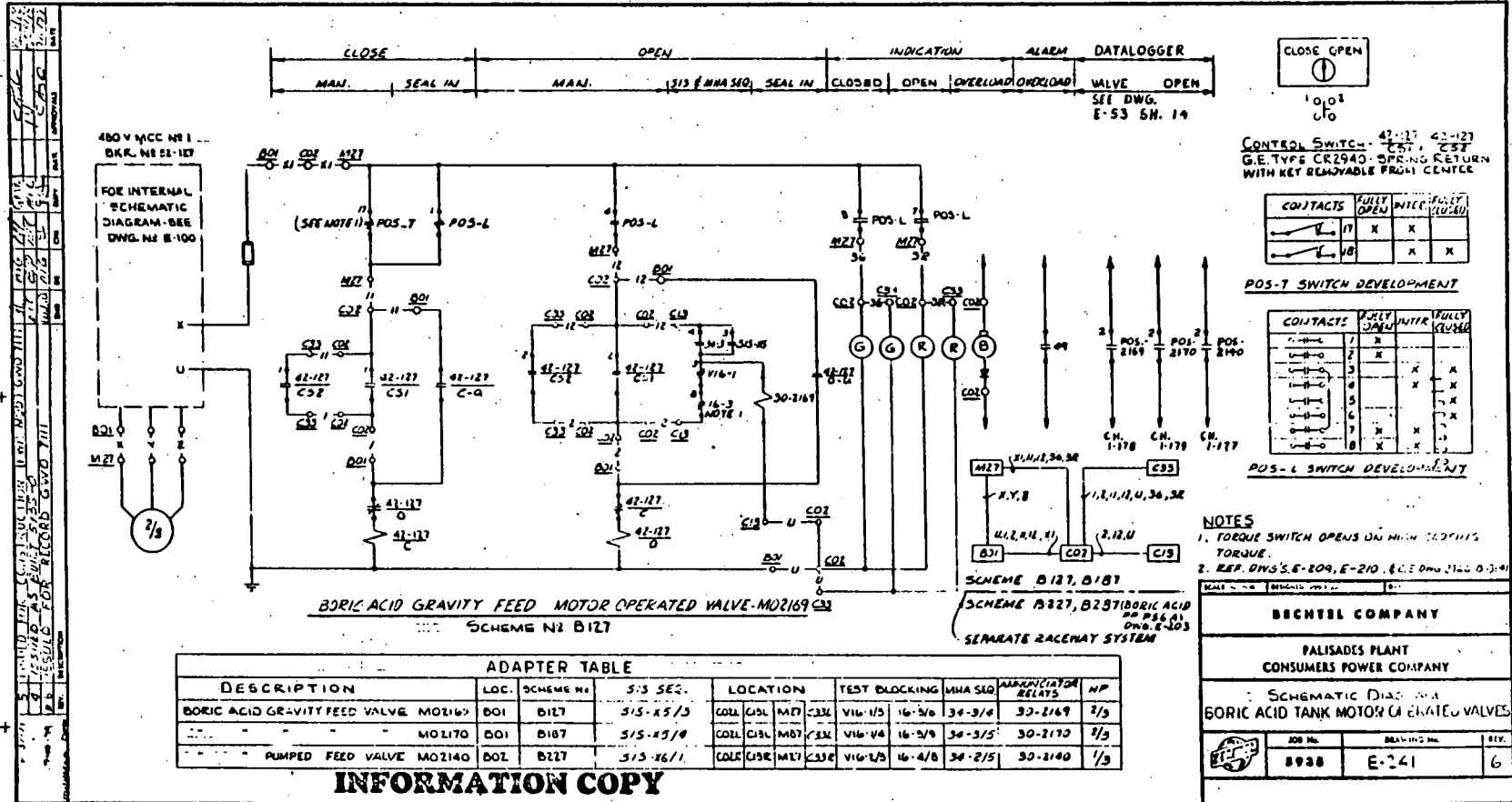
PALISADES PLANT
CONSUMERS POWER COMPANY

SCHEMATIC DIAGRAM
VOLUME CONTROL SHUTDOWN COOLING & PRESS. RELIEF MOTOR OPERATED VALVE S

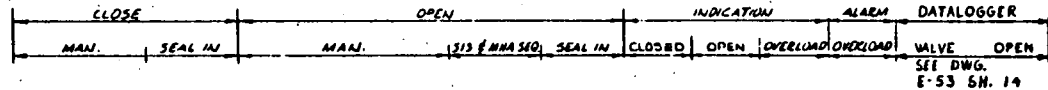
DWG. NO.	DRAWING NO.	REV.
8938	E-242	9

SHEET 1 OF 4

TONR 19-81



NO.	REV.	DATE	DESCRIPTION
1			ISSUED FOR RECORD
2			REVISION
3			REVISION
4			REVISION
5			REVISION
6			REVISION
7			REVISION
8			REVISION
9			REVISION
10			REVISION
11			REVISION
12			REVISION
13			REVISION
14			REVISION
15			REVISION
16			REVISION
17			REVISION
18			REVISION
19			REVISION
20			REVISION



CLOSE OPEN

1001
1/0

CONTROL SWITCH - EST. EST
G.E. TYPE CR2940 - SPRING RETURN
WITH KEY REMOVABLE FROM CENTER

CONTACTS	FULLY OPEN	INTERMEDIATE	FULLY CLOSED
1	X	X	
2		X	X

POS-T SWITCH DEVELOPMENT

CONTACTS	FULLY OPEN	INTERMEDIATE	FULLY CLOSED
1	X		
2		X	X
3		X	X
4		X	X
5		X	X
6		X	X
7		X	X
8	X	X	

POS-L SWITCH DEVELOPMENT

- NOTES**
- TORQUE SWITCH OPENS ON HIGH SECONDS TORQUE.
 - REF. DWS'S E-209, E-210, & E-211 DWS'S 2169, 2170, 2140

BECHTEL COMPANY		
PALISADES PLANT CONSUMERS POWER COMPANY		
SCHEMATIC DIAGRAM BORIC ACID TANK MOTOR OPERATED VALVES		
JOB No.	DRAWING No.	REV.
8938	E-241	6