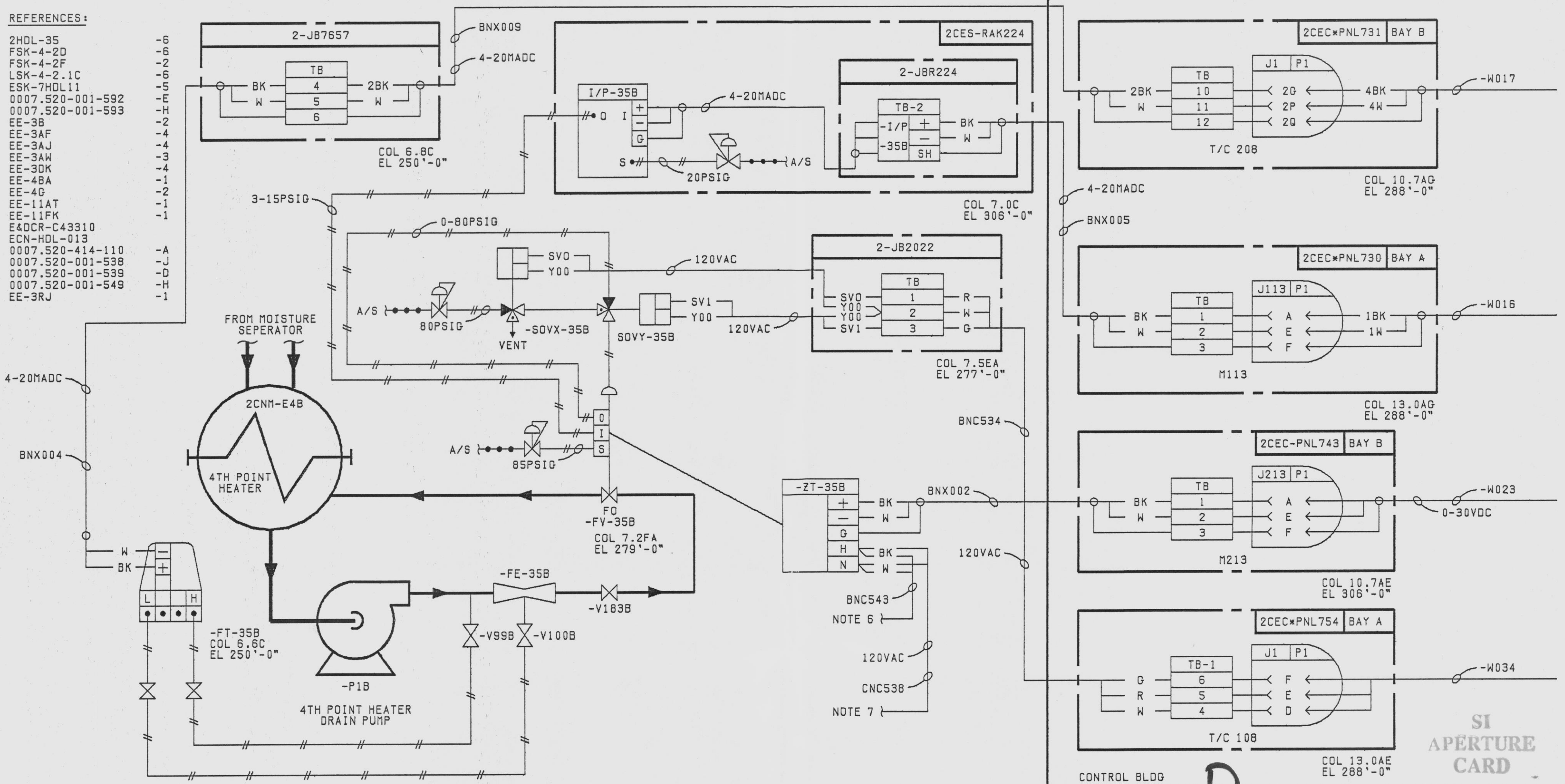


REFERENCES:

- 2HDL-35 -6
- FSK-4-2D -6
- FSK-4-2F -6
- LSK-4-2.1C -5
- ESK-7HDL11 -5
- 0007.520-001-592 -E
- 0007.520-001-593 -H
- EE-3B -2
- EE-3AF -4
- EE-3AJ -4
- EE-3AW -3
- EE-3OK -4
- EE-4BA -1
- EE-4D -2
- EE-11AT -1
- EE-11FK -1
- E&DCR-C43310 -A
- ECN-HDL-013 -J
- 0007.520-414-110 -D
- 0007.520-001-538 -D
- 0007.520-001-539 -H
- 0007.520-001-549 -1
- EE-3RJ -1



NOTES:

1. FOR TEST PURPOSES ONLY-NOT TO BE USED FOR CONSTRUCTION.
2. ALL INSTRUMENT AND EQUIPMENT NUMBERS ARE TO BE PREFIXED WITH "2HDL" EXCEPT WHERE A DIFFERENT PREFIX IS SHOWN.
3. LOOP ACTION: FT-35B MONITORS HEATER DRAIN PUMP P1B DISCHARGE RECIRCULATION FLOW AND PROVIDES FLOW SIGNALS TO COMPUTER AND FY-35B VIA PWR5-35B AND TO FC-35B AND FI-35B VIA PWR5-35B AND FY-35B. FC-35B COMPARES THIS FLOW SIGNAL TO AN INTERNAL SET-POINT AND PROVIDES AN ERROR SIGNAL TO MODULATE FV-35B VIA E/I-35B AND I/P-35B IF SOVY-35B IS ENERGIZED AND SOVX-35B DE-ENERGIZED. SOVY-35B ENERGIZES AND SOVX-35B DE-ENERGIZES AFTER P1B IS RUNNING FOR A MINIMUM TIME PERIOD. SOVY-35B DE-ENERGIZES AND SOVX-35B ENERGIZES WHEN P1B IS STOPPED.
4. 2-HDLB06 ENERGIZES WHEN P1B IS RUNNING TO OPEN CONTACT 3, 5 AFTER A TIME DELAY TO DE-ENERGIZE SOVX-35B AND TO CLOSE CONTACT 2, 6 AFTER A TIME DELAY TO ENERGIZE SOVY-35B.

5. 120VAC FROM 2SCI-PNLA102 CKT# 11.
6. TO -ZT-35A. SEE TL2HDL-031.
7. TO -ZT-35C. SEE TL2HDL-033.

DATE	DATE	DATE	DATE	DATE
4 PREPARED	3 PREPARED	2 PREPARED	1 PREPARED	0 PREPARED
4 APPROVED	3 APPROVED	2 APPROVED	1 APPROVED	0 APPROVED

9305040359 D

TEST LOOP DIAGRAM
 HEATER DRAIN PUMP P1B RECIRC CONTROL
 2HDL-FT-35B, -FV-35B
 NINE MILE POINT NUCLEAR STATION-UNIT 2
 NIAGARA MOHAWK POWER CORPORATION

STONE & WEBSTER ENGINEERING CORPORATION
 SHEET 1 OF 2
 12177-TL2HDL-032



INFORMATION ONLY

CONTINUED ON THIS DWG SHT-2