

## TABLE 3.3.7.1-1 (Continued)

RADIATION MONITORING INSTRUMENTATIONACTION STATEMENTS

## ACTION 70 -

- a. With one of the required monitors inoperable, ~~place the inoperable channel in the downscale tripped condition within 2 hours~~ restore the inoperable channel to OPERABLE status within 7 days, or, within the next 6 hours, initiate and maintain operation of the control room emergency filtration system in the isolation mode of operation. | 29
- b. With both of the required monitors inoperable, initiate and maintain operation of the control room emergency filtration system in the isolation mode of operation within 1 hour. | 29

## ACTION 71 -

- With the required monitor inoperable, assure a portable continuous monitor with the same alarm setpoint is OPERABLE in the vicinity of the installed monitor during any fuel movement. If no fuel movement is being made, perform area surveys of the monitored area with portable monitoring instrumentation at least once per 24 hours. |

8804140008 880406  
PDR ADDCK 05000387  
P DCD

TABLE 3.3.7.1-1 (Continued)RADIATION MONITORING INSTRUMENTATIONACTION STATEMENTS

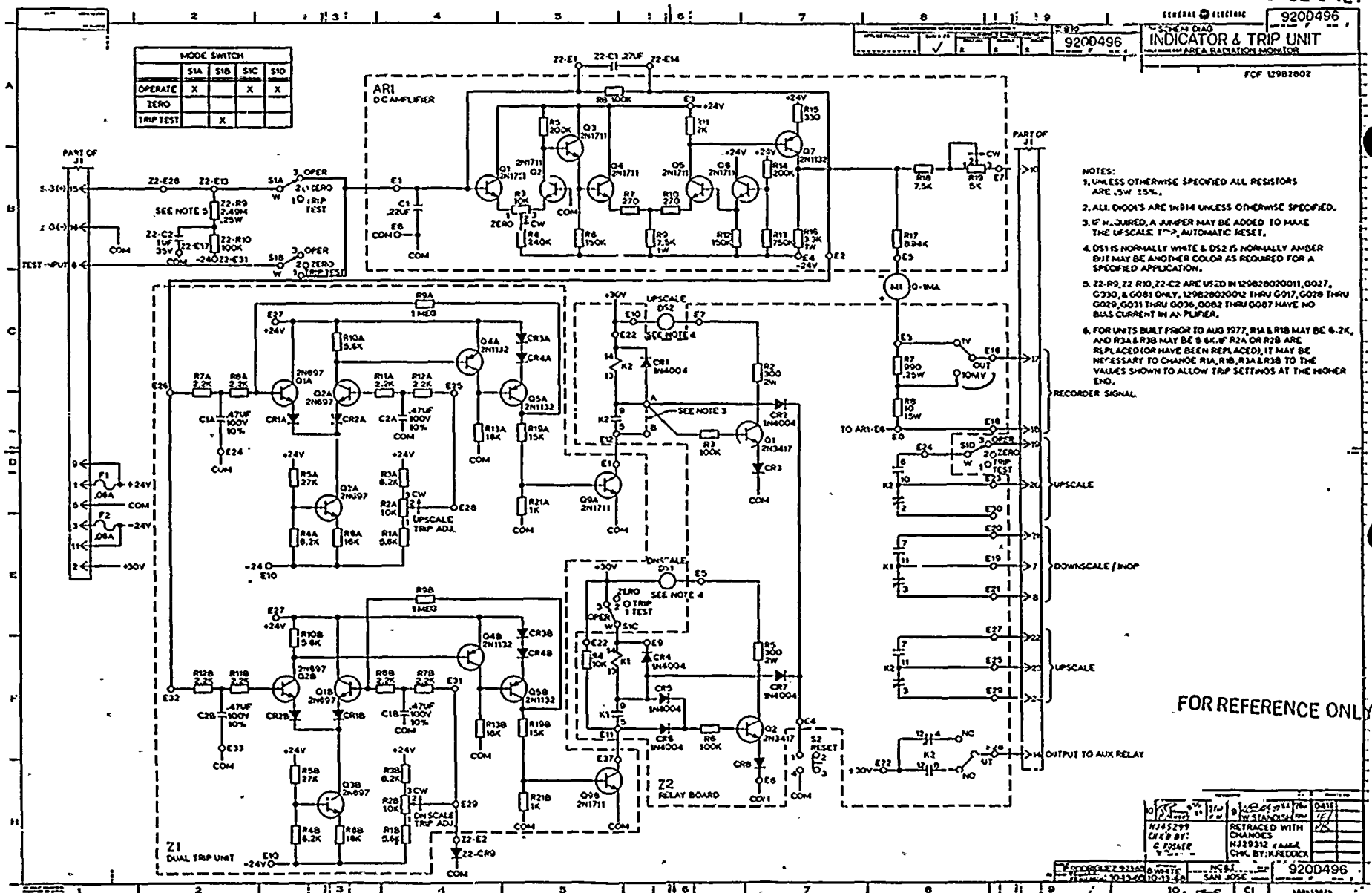
- ACTION 70 -
- a. With one of the required monitors inoperable, ~~place the inoperable channel in the downscale tripped condition within 1 hour;~~ restore the inoperable channel to OPERABLE status within 7 days, or, within the next 6 hours, initiate and maintain operation of the control room emergency filtration system in the isolation mode of operation.
  - b. With both of the required monitors inoperable, initiate and maintain operation of the control room emergency filtration system in the isolation mode of operation within 1 hour.
- ACTION 71 - With the required monitor inoperable, assure a portable continuous monitor with the same alarm setpoint is OPERABLE in the vicinity of the installed monitor during any fuel movement. If no fuel movement is being made, perform area surveys of the monitored area with portable monitoring instrumentation at least once per 24 hours.



11  
12  
13  
14  
15  
16  
17  
18  
19  
20  
21  
22  
23  
24  
25  
26  
27  
28  
29  
30  
31  
32  
33  
34  
35  
36  
37  
38  
39  
40  
41  
42  
43  
44  
45  
46  
47  
48  
49  
50  
51  
52  
53  
54  
55  
56  
57  
58  
59  
60  
61  
62  
63  
64  
65  
66  
67  
68  
69  
70  
71  
72  
73  
74  
75  
76  
77  
78  
79  
80  
81  
82  
83  
84  
85  
86  
87  
88  
89  
90  
91  
92  
93  
94  
95  
96  
97  
98  
99  
100

# FIGURE 1

FOR REFERENCE ONLY



- NOTES:
- UNLESS OTHERWISE SPECIFIED ALL RESISTORS ARE .5W 15%.
  - ALL DIODES ARE W914 UNLESS OTHERWISE SPECIFIED.
  - IF NEEDED, A JUMPER MAY BE ADDED TO MAKE THE UPSCALE "0", AUTOMATIC RESET.
  - DS1 IS NORMALLY WHITE & DS2 IS NORMALLY AMBER BUT MAY BE ANOTHER COLOR AS REQUIRED FOR A SPECIFIED APPLICATION.
  - Z2-R9, Z2-R10, Z2-C2 ARE USED IN 129828020011, 0027, 0030, & 0081 ONLY, 129828020012 THRU 0017, 0028 THRU 0029, 0031 THRU 0036, 0082 THRU 0087 HAVE NO BUS CURRENT IN AN-PLIFIER.
  - FOR UNITS BUILT PRIOR TO AUG 1977, R1A & R1B MAY BE 6.2K, AND R3A & R3B MAY BE 5.6K, IF R2A OR R2B ARE REPLACED (OR HAVE BEEN REPLACED), IT MAY BE NECESSARY TO CHANGE R1A, R1B, R3A & R3B TO THE VALUES SHOWN TO ALLOW TRIP SETTINGS AT THE HIGHER END.

FOR REFERENCE ONLY

9200496-221208 WHITE  
REVISION 10-12-68 10-13-68

NO. 1	DATE	BY
1	12/17/68	W. STANLEY
2	1/2/69	W. STANLEY

RETRACED WITH CHANGES  
CHECK BY: N229312 JAMA  
CHK. BY: K. REDDICK

9200496