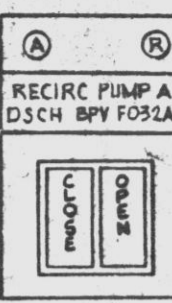
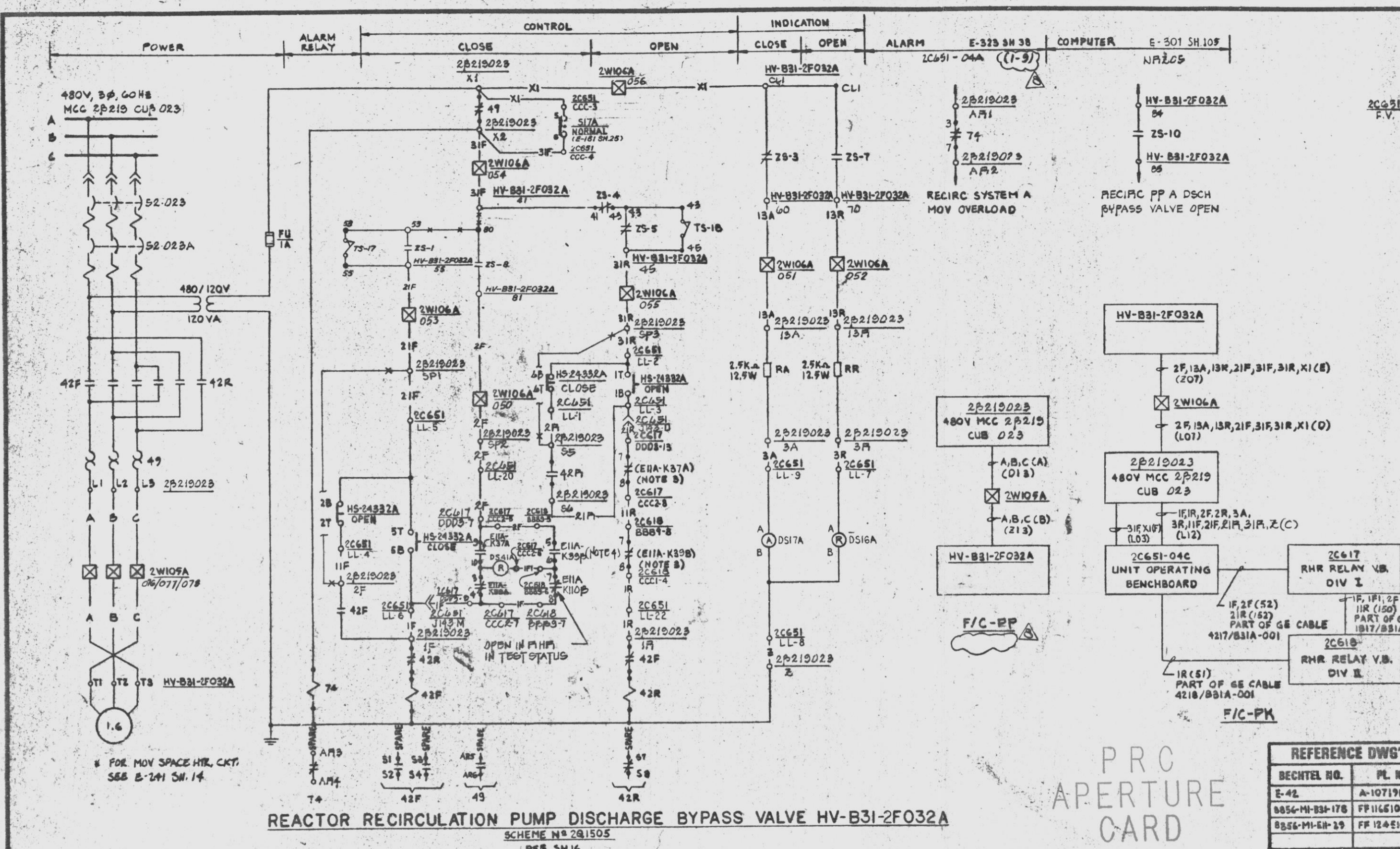


This drawing and the design it covers are the property of BECHTEL. They are hereby loaned and on the borrower's express agreement that they will not be reproduced, copied, loaned, exhibited, or used except to the extent expressly permitted by the borrower to the borrower.



CONTACT No.	POSITION		DRAWING No.	CONTACT BLOCK CAT. No.
	CLOSE	OPEN		
1T0-018	1	X	THIS SH	KLA1
2T0-018	2	X	THIS SH	KLA2
5T0-058	5	X	THIS SH	KLA1
6T0-068	6	X	THIS SH	KLA2

CONTROL SWITCH: HS-24382A/B
CUTLER HAMMER TYPE E-30AC
MOMENTARY WITH MECHANICAL INTERLOCK

CONTACTS	100% OPEN		INTERMEDIATE	100% CONTACT CLOSED		THIS SH
	100%	90%		100%	CONTACT	
BS-1	350-11-065					THIS SH
BS-2	360-11-071					E-151 SH 7/8
BS-3	400-11-061					THIS SH
BS-4	410-11-043					THIS SH
BS-5	430-11-045					THIS SH
BS-6	790-11-073					SPARE
BS-7	10-11-070					THIS SH
BS-8	200-11-081					THIS SH
BS-9	32-11-085					SPARE
BS-10	34-11-085					THIS SH
BS-11	25-11-087					SPARE
BS-12	29-11-088					E-151 SH 7/8
BS-13	37-11-091					SPARE
BS-14	51-11-085					SPARE
BS-15	24-11-085					SPARE
BS-16	38-11-097					SPARE
TS-17	55-11-055					OPEN ON HIGH CLOSING TORQUE THIS SH
TS-18	43-11-044					OPEN ON HIGH OPENING TORQUE THIS SH

CONTACT CLOSED

HV-B31-2F032A, HV-B31-2F032B

- NOTES:
- FOR STANDARD SYMBOLS FOR ELECTRICAL DIAGRAMS SEE DWG E-42.
 - ALL DEVICE NO. TO BE SUFFIXED BY STARTER LOCATION NO. UNLESS NOTED OTHERWISE.
 - CONTACT OPENS ON LPCI (RHR) SYSTEM INITIATED.
 - CONTACT CLOSSES ON LPCI (RHR) SYSTEM INITIATED.
 - NO IN PARENTHESIS ARE GE DEVICE NO.
 - DESIGN BASED ON GE/APED ELEMENTARY 731227AE (V/P 8096-MI-B31-170).

PRC APERTURE CARD

REFERENCE DWG'S.	
BECHTEL NO.	PL. NO.
E-42	A-107191
8856-MI-B31-170	FF1161510
8856-MI-B31-25	FF124510

REACTOR RECIRCULATION PUMP DISCHARGE BYPASS VALVE HV-B31-2F032A
SCHEME NO 2Q1505
REF SH 16

SCHEME NO	NE	VALVE DESCRIPTION	HORSEPOWER	FACILITY CODE	STARTER LOCATION	CONTROL SWITCH NO.	TEST LOC. NO.	2C651																INTERLOCK				
								TERMINAL NOS																LOC	NO.	LOC		
2Q1505	HV-B31-2F032A	RECIRC PUMP A DISCH BVP F032A	1.6	PP/PK	2P219023	HS-24382A (SBA) 04C	S17A	CCC-3	CCC-4	LL-6	LL-20	LL-1	LL-9	LL-4	LL-22	LL-3	LL-2	LL-8	LL-22	EIA-K37A	EIA-K37A	EIA-K39A	2C617	EIA-K39B	EIA-K39B	EIA-K100	2C618	
2Q1506	HV-B31-2F032B	RECIRC PUMP B DISCH BVP F032B	1.6	R/P/RK	2P219023	HS-24382B (SBB) 04C	S17B	TS-F	TS-F	TS-F3	TS-F	TS-F	TS-F	TS-F	TS-F	TS-F5	TS-F	TS-F	TS-F	TS-F	EIA-K39A	EIA-K39A	EIA-K100A	2C617	EIA-K39B	EIA-K39B	EIA-K39B	2C618

2C617 TERMINATION				2C618 TERMINATION				PENETRATIONS																G.E. CABLE				COMPUTER	ALARM
WIRE NOS	WIRE NOS	POWER	WIRE NOS	WIRE NOS	WIRE NOS	WIRE NOS	WIRE NOS	LINE CODE	CABLE NO.	LINE CODE	CABLE NO.	COMPUTER		ALARM															
CCC-3	DDD-13	CCC-2-8	DDD-7	CCC-2-5	DDD-3-8	CCC-2-7	BBB-6	BBB-5	BBB-7	BBB-9	CCC-4	2W106A	050	051	052	053	054	055	056	2W106A	076	077	078	50/152	4217/B31A/001	50/150	1817/B31A/001	25-10	74
FFF-6	CCC-6	FFF-8	CCC-4	FFF-5	CCC-5	FFF-7	EEE-6	EEE-5	EEE-9	EEE-8	DDD-1	2W106B	029	030	031	032	033	034	035	2W106B	037	038	039	54/54	4217/B31A/001	57/151	1817/B31A/001	15-10	74

UNCONTROLLED DOCUMENT FOR REFERENCE ONLY

DELETED NOTE 7/10/87, REV TO INCORP FOR E-11825
REV TO INCORP FOR E-3308
REV PER ODP 781
ISSUED FOR CONSTRUCTION

SCALE: 1/2" = 1'-0"

DESIGNED BY: R. SANDBERG
CHECKED BY: M. PRINZ
DATE: 11/83

PENNSYLVANIA POWER & LIGHT COMPANY
ALLENTOWN, PENNSYLVANIA
BUROKHAMA STEAM ELECTRIC STATION - UNIT 1, UNIT 2

BECHTEL - SAN FRANCISCO

SCHEMATIC DIAGRAM
REACTOR RECIRCULATION PUMP
DISCHARGE BYPASS VALVE UNIT 2

JOB NO. 8856 E-151 SH 29 REV. 8

D-107300 SH29

74X

I certify that the microfilm image contained on this microform was made in the typical and regular course of business. This is a true, full, correct, complete reproduction and replacement for and/or in lieu of original documents prepared by the Ductal group of companies.

DATE: 12-15-82 CAMERA TYPE: 185 I