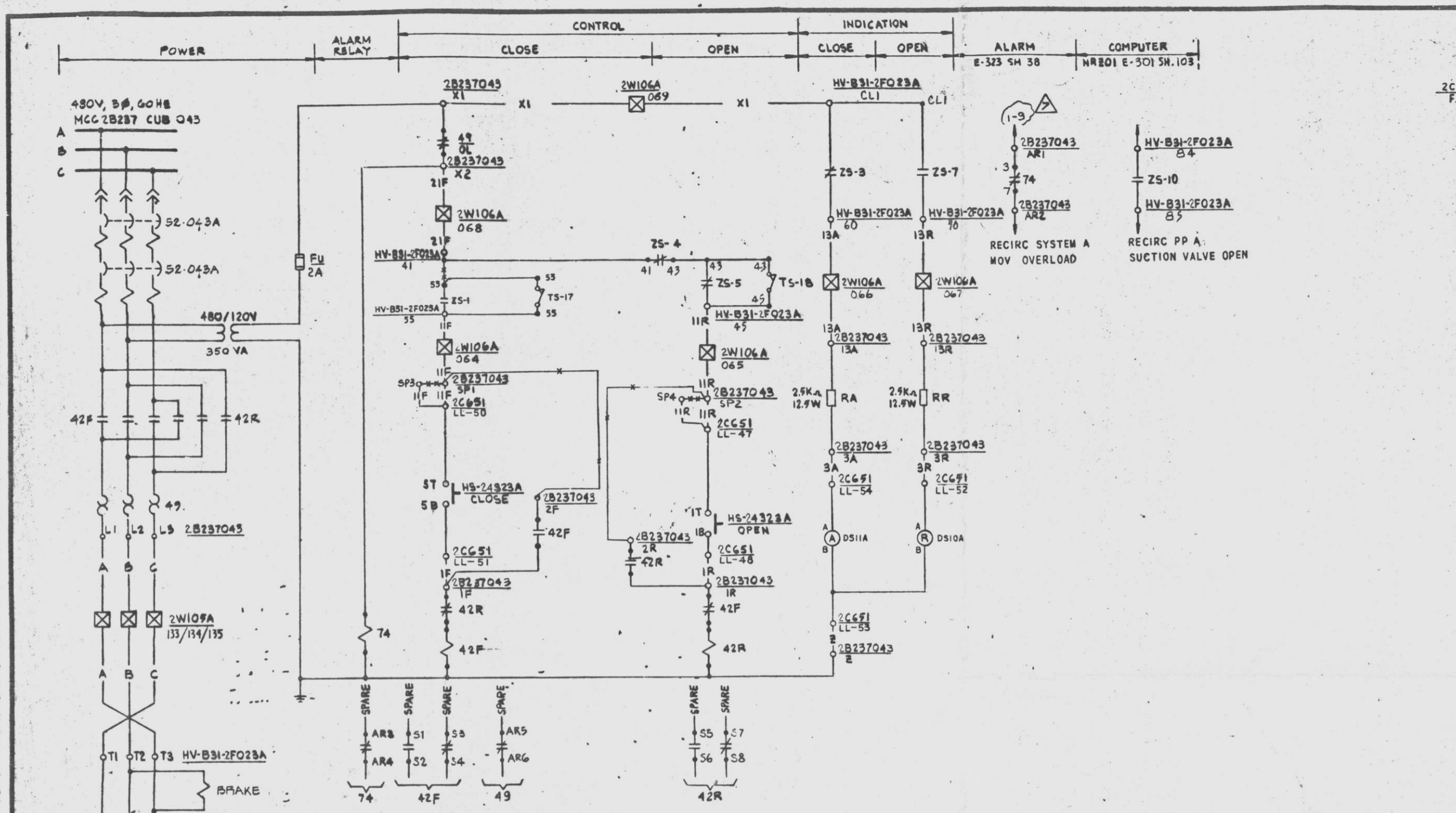
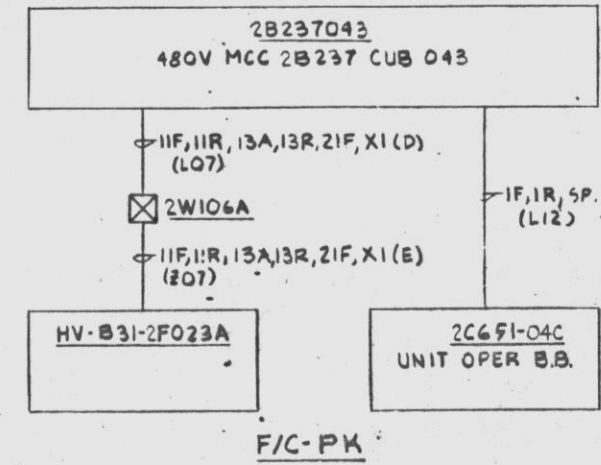
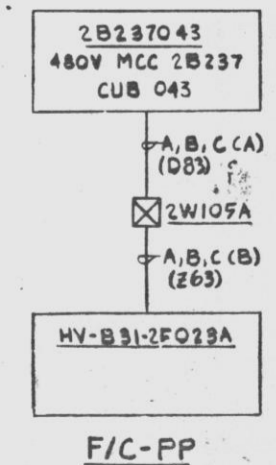


This drawing and the design it covers are the property of BECHTEL. They are hereby loaned to the borrower's express agreement that they will not be reproduced, copied, loaned, exhibited, nor used except in the limited way and under the conditions specified by the lender to the borrower.



REACTOR RECIRCULATION PUMP SUCTION VALVE HV-B31-2F023A
SCHEME NO. 291F07
REF SH 15

* FOR MOV SPACE MTR CKT SEE DWG E-241 SH 14

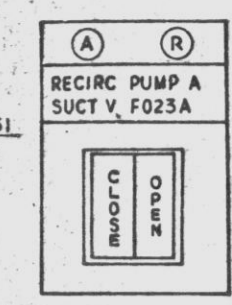


POOR ORIGINAL

PRC APERTURE CARD

Doc# 50-387
Control # 8303090334
Date 3/1/83 of Document
REGULATORY DOCKET FILE

BECHTEL NO.	PL. NO.
E-42	A-107191
8856-MI-B31-78	FF116F10
8856-MI-B31-161	FF116G10



BLOCK	CONTACT No.	POSITION		DRAWING No.	CONTACT BLOCK CAT. No.
		CLOSE	OPEN		
OPEN	1 IT0 02B 1		X	THIS SH	KLA1
OPEN	2 2T0 02B 2	X		SPARE	KLA2
CLOSE	5 5T0 05B 5	X		THIS SH	KLA1
CLOSE	6 6T0 05B 6		X	SPARE	KLA2

CONTROL SWITCH: H0-24823A (SUA)
CUTLER HAMMER TYPB E-30AC
MOMENTARY CONTACTS WITH MECHANICAL INTERLOCK

VALVE LIMIT SWITCH DEVELOPMENT					
CONTACTS	100% OPEN	90% OPEN	INTERMEDIATE	100% CLOSED	CONTACT USED
SS-1	510-11-055				THIS SH
SS-2	760-11-077				E-151-SH16
SS-3	400-11-011				THIS SH
SS-4	410-11-043				THIS SH
SS-5	470-11-045				THIS SH
SS-6	750-11-075				SPARE
SS-7	510-11-070				THIS SH
SS-8	510-11-053				SPARE
SS-9	810-11-085				SPARE
SS-10	810-11-085				THIS SH
SS-11	860-11-087				SPARE
SS-12	880-11-083				E-151-SH17
SS-13	900-11-091				E-151-SH17
SS-14	920-11-093				SPARE
SS-15	940-11-095				SPARE
SS-16	960-11-097				SPARE
TS-17	55-1-55	OPEN ON HIGH CLOSING TORQUE			THIS SH
TS-18	43-1-45	OPEN ON HIGH OPENING TORQUE			THIS SH

NOTES:

- FOR STANDARD SYMBOLS FOR ELECTRICAL DIAGRAMS SEE DWG E-42.
- ALL DEVICE NO. TO BE SUPPLIED BY STARTER LOCATION NO. UNLESS NOTED OTHERWISE.
- DESIGN BASED ON GE/APED ELEMENTARY 731E287AE (V/P 8856-MI-B31-178).

REV.	DATE	REVISIONS	BY	CHECKED	APP'D
1	1/12/82	REVISED PER DCP 763.2: INCORP. FCN E-334B	JL	3AP	
2	3/1/83	REVISED LIGHTS & VLV LIMIT SW (DCR=42) & INCORP. DCP#113A FDL-MODL R.O	JL	3AP	
3	1/11/82	ISSUED FOR DCP 396.26 REV.0	PC	3AP	
4	1/14/82	REV. TO INC. FOR E-11424	NG	3AP	
5	3/1/83	REV SW CONTACTS PER PDR#142-308	NG	3AP	
6	4/14/83	ISSUED FOR CONSTRUCTION	HS	3AP	

SCALE: NONE
DESIGNED BY: A. SANCHEZ
DRAWN BY: H. YOUNG

PENNSYLVANIA POWER & LIGHT COMPANY
ALLENTOWN, PENNSYLVANIA
SUSQUEHANNA STEAM ELECTRIC STATION - UNIT 1, UNIT 2
BECHTEL - SAN FRANCISCO

SCHEMATIC DIAGRAM
REACTOR RECIRCULATION PUMP
SUCTION VALVE
UNIT 2

JOB No.	DRAWING No.	REV.
8836	E-151SH 24	7

D-107300 SH24

24X

DANNY MRGI

D