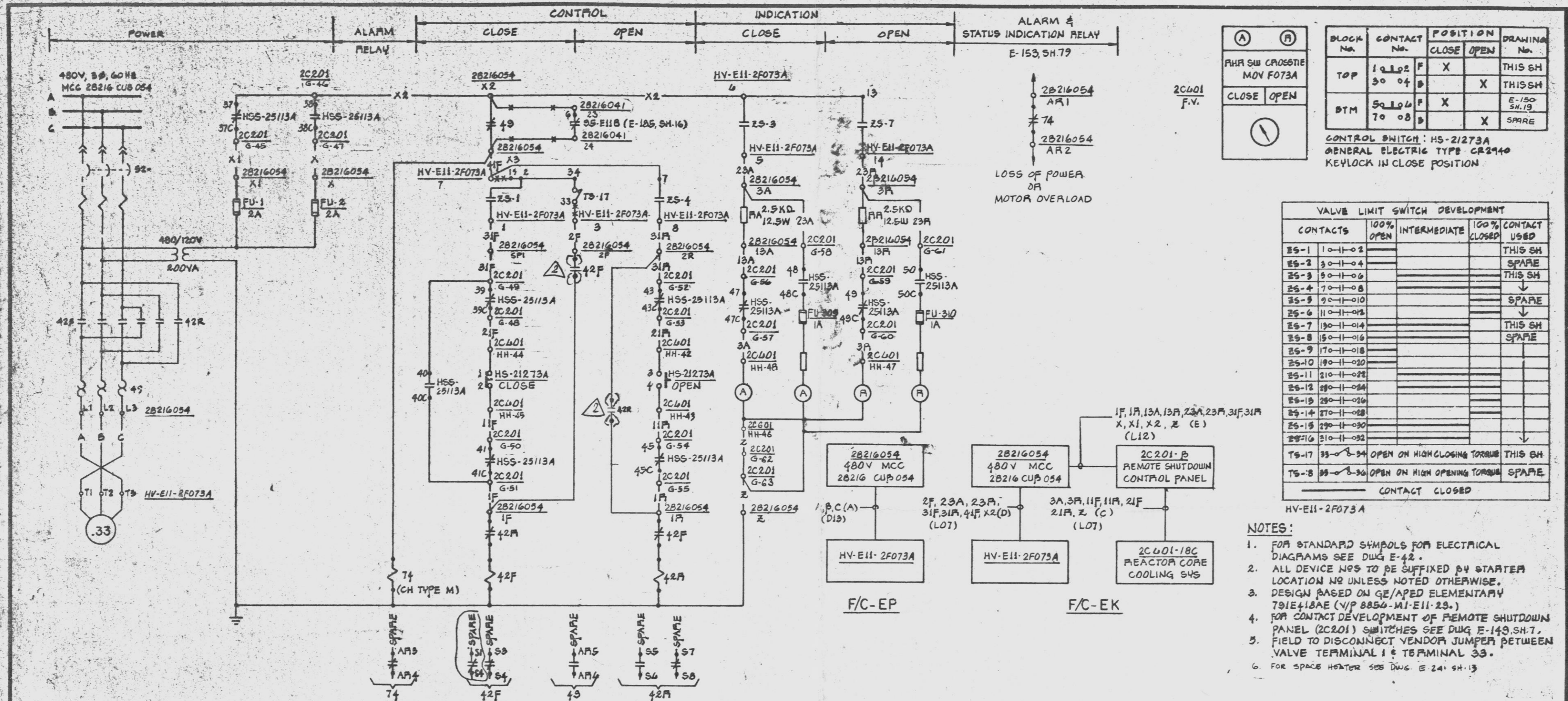


This drawing and the design it covers are the property of BECHTEL. They are made to order and are not to be reproduced, copied, loaned, exhibited, or used in any way without written consent from the holder of the copyright.



BLOCK No.	CONTACT No.	POSITION		DRAWING No.
		CLOSE	OPEN	
TOP	19L02	F	X	THIS SH
	30 04	B	X	THIS SH
BTM	50L04	F	X	E-150 SH.19
	70 08	B	X	SPARE

CONTROL SWITCH: HS-21273A
GENERAL ELECTRIC TYPE CR2440
KEYLOCK IN CLOSE POSITION

VALVE LIMIT SWITCH DEVELOPMENT				
CONTACTS	100% OPEN	INTERMEDIATE	100% CLOSED	CONTACT USED
ES-1	10-11-02			THIS SH
ES-2	30-11-04			SPARE
ES-3	30-11-06			THIS SH
ES-4	70-11-08			↓
ES-5	90-11-10			SPARE
ES-6	110-11-02			↓
ES-7	130-11-04			THIS SH
ES-8	150-11-06			SPARE
ES-9	170-11-08			
ES-10	190-11-10			
ES-11	210-11-02			
ES-12	230-11-04			
ES-13	250-11-06			
ES-14	270-11-08			
ES-15	290-11-10			
ES-16	310-11-02			
TS-17	33-34	OPEN ON HIGH CLOSING TORQUE		THIS SH
TS-18	35-36	OPEN ON HIGH OPENING TORQUE		SPARE

CONTACT CLOSED

- NOTES:
- FOR STANDARD SYMBOLS FOR ELECTRICAL DIAGRAMS SEE DWG E-42.
 - ALL DEVICE NOS TO BE SUFFIXED BY STARTER LOCATION NO UNLESS NOTED OTHERWISE.
 - DESIGN BASED ON GE/APED ELEMENTARY 791E418AE (V/P 8850-MI-E11-23.)
 - FOR CONTACT DEVELOPMENT OF REMOTE SHUTDOWN PANEL (2C201) SWITCHES SEE DWG E-149, SH.7. FIELD TO DISCONNECT VENDOR JUMPER BETWEEN VALVE TERMINAL 1 & TERMINAL 33.
 - FOR SPARE HEATER SEE DWG E-241, SH.13.

RHR SERVICE WATER CROSSTIE VALVE HV-E11-2F073A I
SCHEME NO. 250612
REF. SH.20

REFERENCE DWG'S.	
BECHTEL NO.	PL. NO.
E-42	A-107191
E-149	D-107298
E-185	D-107334
8850-MI-E11-23	FF-124510

PRC APERTURE CARD

Doc# 50-387
Control # 8903090234
Date 3/1/83 of Document:
REGULATORY DOCKET FILE

POOR ORIGINAL

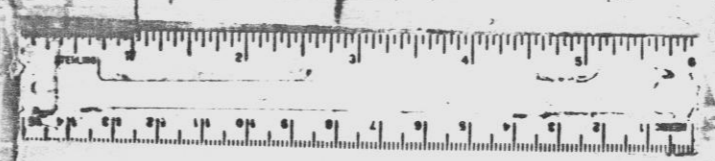
UNCONTROLLED DOCUMENT FOR REFERENCE ONLY

DATE	BY	REVISION	BY	DATE	REVISION
SCALE: 1/8" = 1'-0"					
PENNSYLVANIA POWER & LIGHT COMPANY ALLENTOWN, PENNSYLVANIA BALDWINVILLE STEAM ELECTRIC STATION - UNIT 1, UNIT 2 BECHTEL - SAN FRANCISCO					
SCHEMATIC DIAGRAM RHR SERV WTR CROSSTIE VALVES UNIT 2					
JOB No.	DRAWING No.	REV.			
8856	E-150 SH 30	2			
D-107299 SH 30					

24X

I certify that the microfilm image contained on this microform was made in the normal and regular course of business. This is a true, full, correct and complete reproduction and replacement for and/or in lieu of original documents generated by the technical group of companies.

Sign: RHEY
Camera Operator
Date: 4/30/83
Camera Type: MRG-1



D