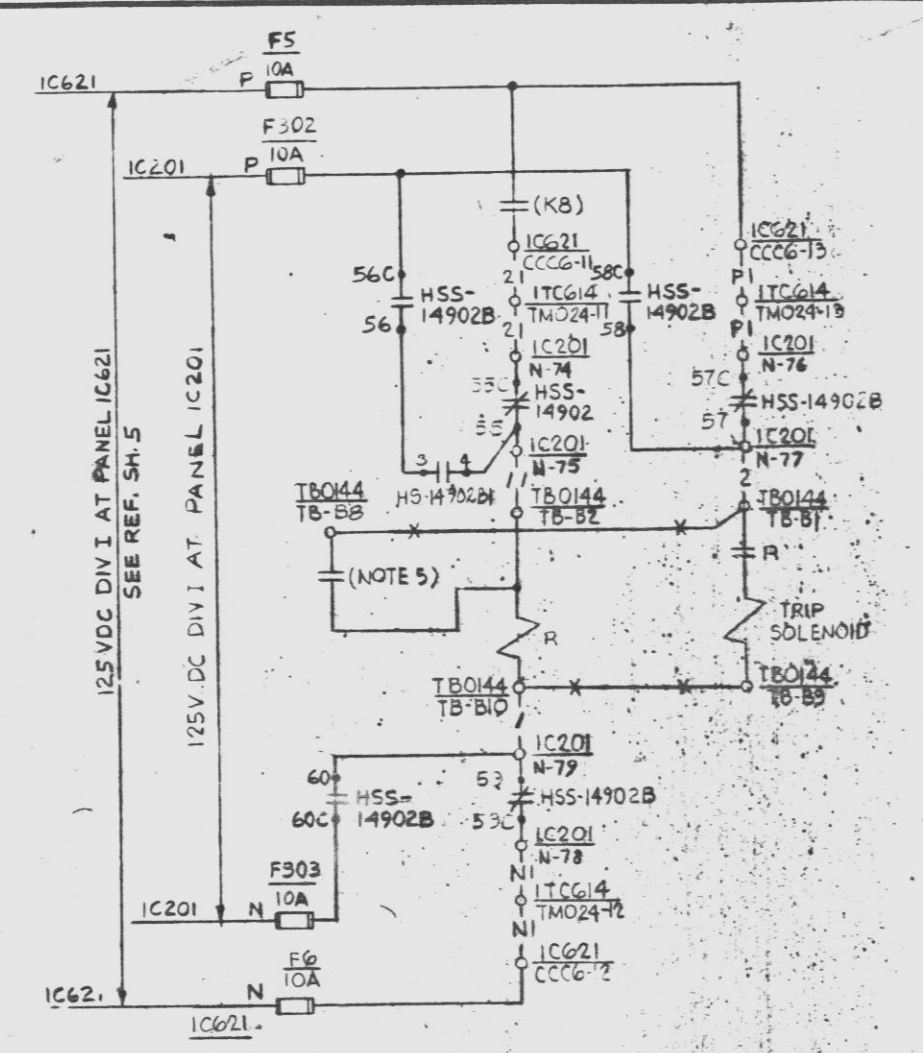
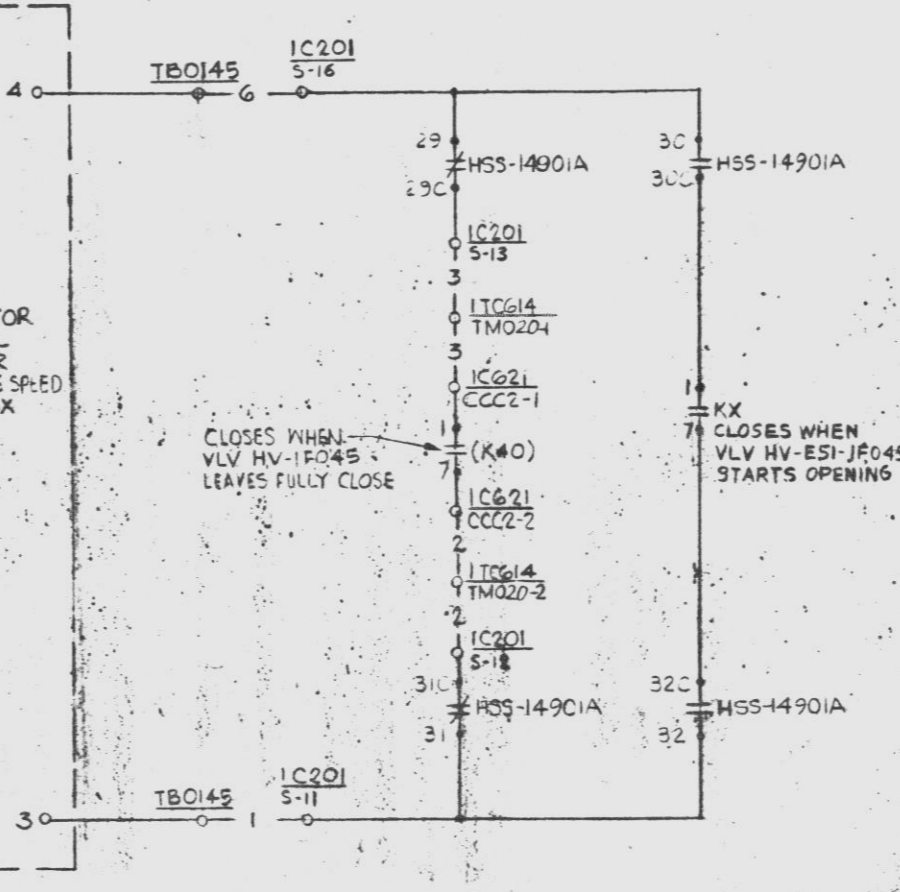
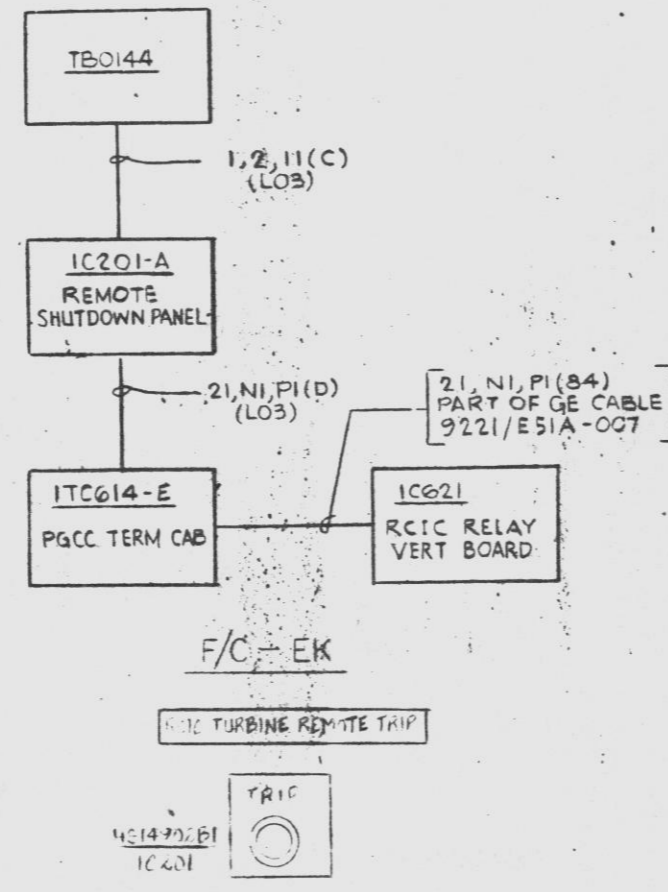


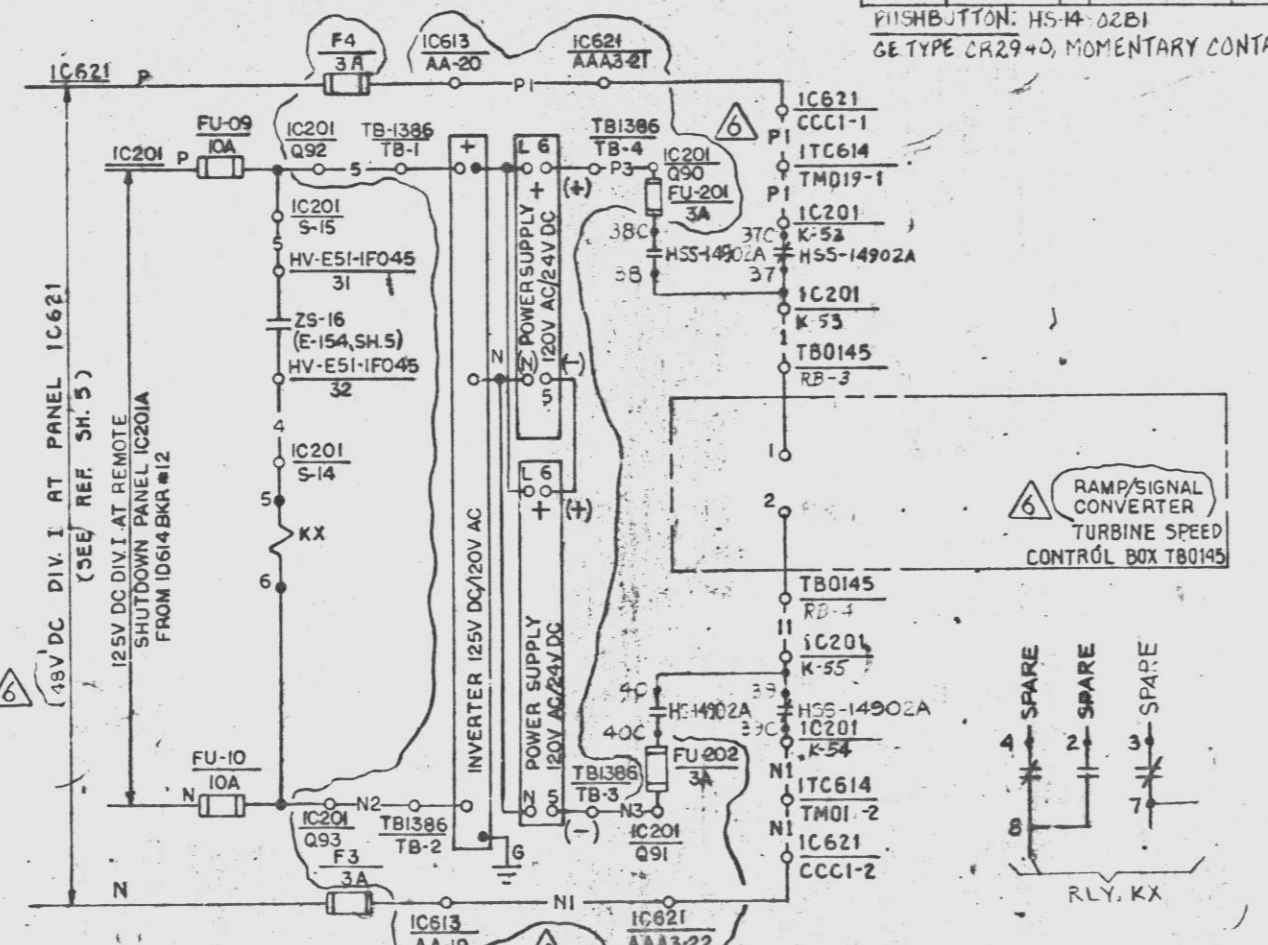
This drawing and the design it covers are the property of BECHTEL. They are loaned and on the borrower's express agreement that they will not be reproduced, copied, loaned, exhibited, nor used except in the limited way and under the conditions given by the lender to the borrower.



RCIC TURBINE REMOTE TRIP
SCHEME NO. IQ1328
(REF. SH. 3 & 9)



RCIC TURBINE CONTROL
SCHEME NO. IQ1330
(REF. SH. 6)

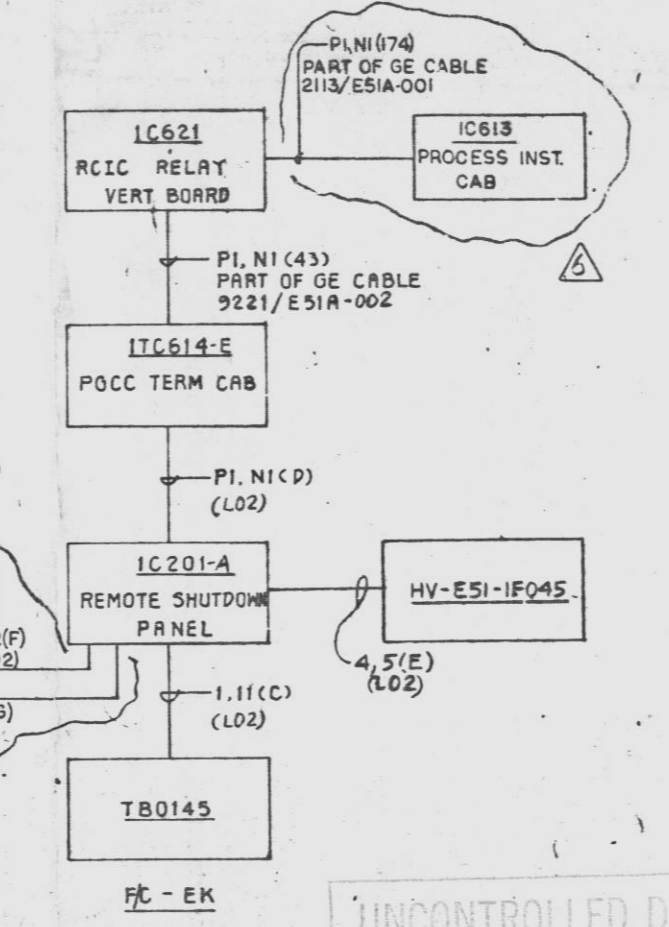


RCIC TURBINE CONTROL POWER SUPPLY
SCHEME NO. IQ1329
(REF. SH. 6)

SWITCH DEVELOPMENT

NO.	CONTACT	POSITION	TRIP	DWG. NO.
TOP	1, 2, 3	F		SPARE
	3, 0, 4	B	X	THIS SH.

POSITION: HS-14-02B1
GE TYPE CR29+0, MOMENTARY CONTACTS



UNCONTROLLED DOCUMENT FOR REFERENCE ONLY

- NOTES
- FOR STANDARD SYMBOLS FOR ELECTRICAL DIAGRAMS SEE DWO 8856-E-42.
 - NUMBERS IN PARENTHESIS APPEARING ON SCHEMATIC DIAGRAM ARE GE DEVICE NUMBER.
 - DESIGN BASED ON GE ELEMENTARY DIAGRAM 791E421AE (VP8856-E51-90).
 - FOR SWITCH DEVELOPMENT OF REMOTE SHUTDOWN PANEL (IC201) SWITCHES SEE DWO E-149 SH. 1 & 3.
 - CONTACT CLOSES AT 10% TURBINE OVERSPEED.

REFERENCE DWG'S.

BECHTEL NO.	PL. NO.
E-42	R-107191
E-180	D-107329
VP8856-E51-90	EF129010

NO.	DATE	REVISIONS	BY	CHKD	ENGR	PROJ	APP.
1	10/4/77	ISSUED FOR CONSTRUCTION	SS	120	WV	4	10/4/77
2	11/10/77	REISSUED AS BUILT	SS	120	WV	4	11/10/77
3	11/10/77	REV TO INCORP. ITCN #3 (DCP 6601REV)	SS	120	WV	4	11/10/77
4	11/10/77	REV TO INCORP. ITCN #2 (DCP 6601REV)	SS	120	WV	4	11/10/77
5	11/10/77	ISSUED AS BUILT	SS	120	WV	4	11/10/77
6	11/10/77	REV TO INCORP. ITCN #1 (DCP 6601REV)	SS	120	WV	4	11/10/77
7	11/10/77	REV TO INCORP. ITCN #1 (DCP 6601REV)	SS	120	WV	4	11/10/77
8	11/10/77	REV TO INCORP. ITCN #1 (DCP 6601REV)	SS	120	WV	4	11/10/77
9	11/10/77	REV TO INCORP. ITCN #1 (DCP 6601REV)	SS	120	WV	4	11/10/77
10	11/10/77	REV TO INCORP. ITCN #1 (DCP 6601REV)	SS	120	WV	4	11/10/77

PENNSYLVANIA POWER & LIGHT COMPANY
ALLENTOWN, PENNSYLVANIA
SUSQUEHANNA STEAM ELECTRIC STATION - UNIT 1, UNIT 2

BECHTEL - SAN FRANCISCO

SCHEMATIC DIAGRAM
RCIC SYSTEM CONTROL
UNIT 1

JOB No.	DRAWING No.	REV.
8856	E-154 SH.39	6

D-107303 SH39

G I T 9 0 S C H E M R C I C S Y S C O N T

24X

I certify that the microfilmed image contained on this microform was made in the normal and regular course of business. This is a true, full, correct and complete reproduction and replacement for and/or in lieu of original documents generated by the Bechtel group of companies.

Signature: **DANNY** Date: **3-16-82** MRG I

D