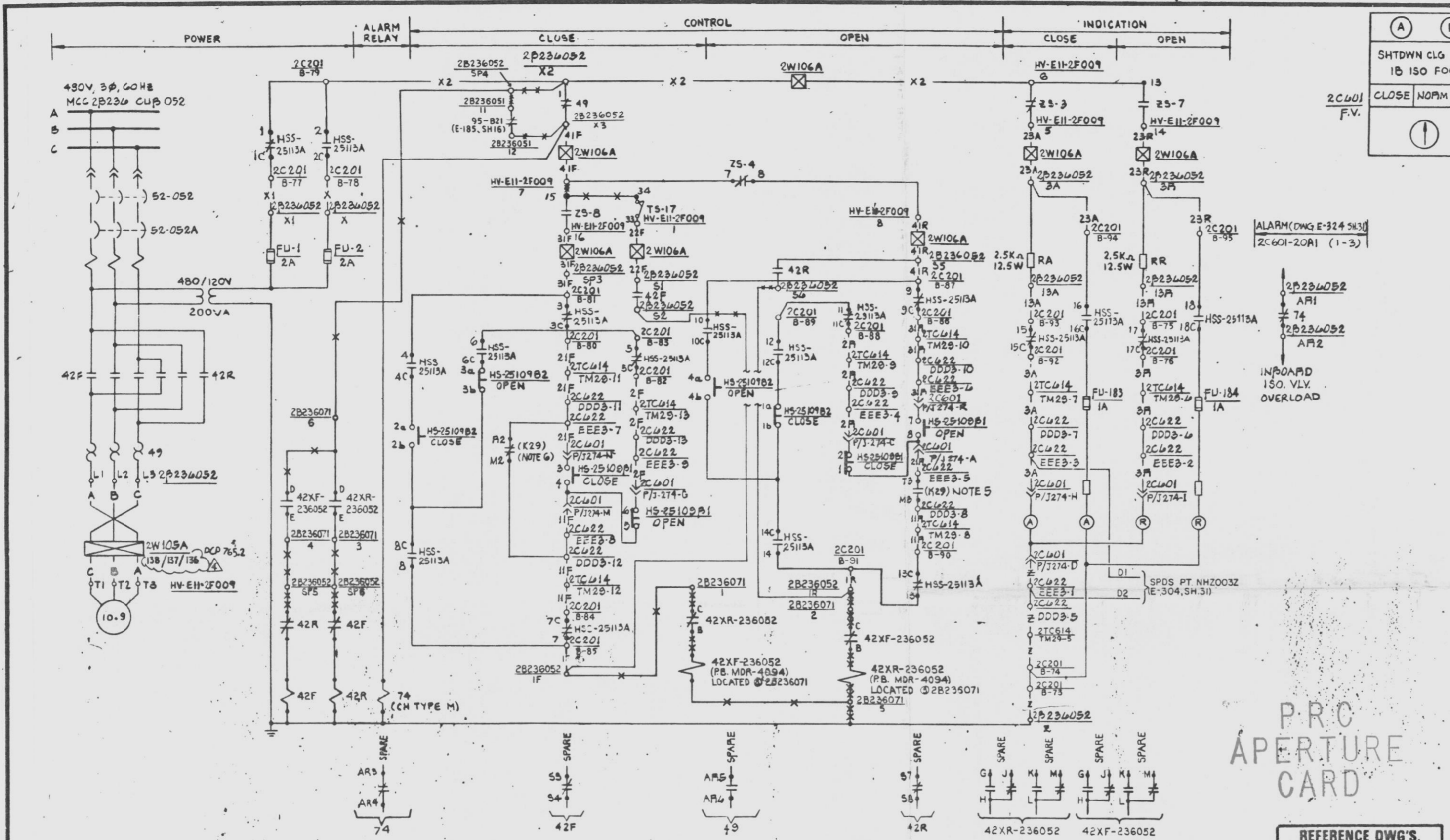


This drawing and the design it covers are the property of BECHTEL. They are hereby loaned and on the borrower's express agreement that they will not be reproduced, copied, loaned, exhibited, or used except in the limited way and for the limited purpose stated in the loan agreement given by the borrower.



(A)	(R)
SHTDWN CLG SUCT 1B ISO F009	
CLOSE	NORM OPEN
!	

BLOCK No.	CONTACT No.	POSITION	DRAWING No.		
		CLOSE	NORMAL	OPEN	
TOP	10-1-02	F	X	X	THIS SH
	30-0-04	B	X		THIS SH
BTM	50-1-06	F	X	X	THIS SH
	70-0-08	B		X	THIS SH

CONTROL SWITCH: HS-25109B1
GENERAL ELECTRIC TYPE CR2940
KEY REMOVABLE IN NORMAL
SPRING RETURN TO NORMAL

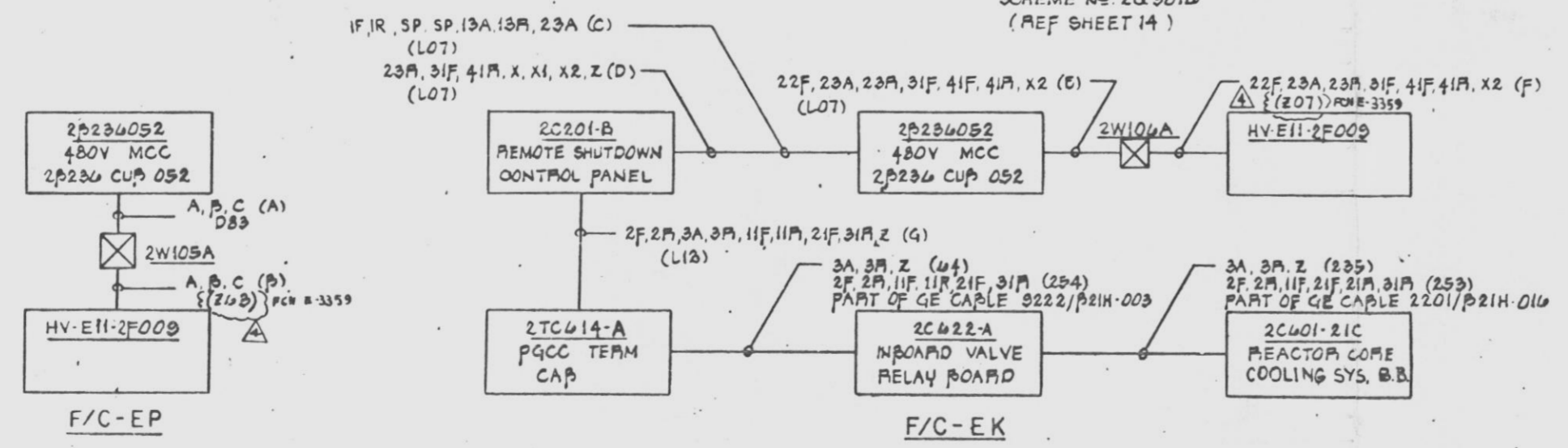
VALVE LIMIT SWITCH DEVELOPMENT				
CONTACTS	100% OPEN	INTERMEDIATE	100% CLOSED	CONTACT USED
2B-1	10-1-02			SPARE
2B-2	30-0-04			SPARE
2B-3	50-1-06			THIS SH
2B-4	70-0-08			THIS SH
2B-5	90-1-10			SPARE
2B-6	110-1-12			SPARE
2B-7	130-1-14			THIS SH
2B-8	150-1-16			THIS SH
2B-9	170-1-18			SPARE
2B-10	190-1-20			SPARE
2B-11	210-1-22			E-153 SH 73
2B-12	230-1-24			E-153 SH 43
2B-13	250-1-26			E-153 SH 43
2B-14	270-1-28			SPARE
2B-15	290-1-30			E-153 SH 73
2B-16	310-1-32			E-153 SH 43
2B-17	330-1-34			OPEN ON HIGH CLOSING TORQUE
2B-18	350-1-36			OPEN ON HIGH OPENING TORQUE
				CONTACT CLOSED

NOTES:

- ALL DEVICE NOS TO BE SUFFIXED BY STARTER LOCATION NO UNLESS NOTED OTHERWISE.
- FOR STANDARD SYMBOLS FOR ELECTRICAL DIAGRAMS SEE DWG E-42.
- FOR SWITCH DEVELOPMENT OF REMOTE SHUTDOWN PANEL (2C201) SWITCHES, SEE E-149 SH 7 & 8.
- NO IN PARENTHESIS APPEARING ON SCHEMATIC DIAGRAM ARE GE DEVICE NOS.
- CONTACT OPENS ON CONTAINMENT ISOLATION SIGNAL.
- CONTACT CLOSURES ON CONTAINMENT ISOLATION SIGNAL.
- DESIGN BASED ON GE ELEMENTARY 791E401AE (V/P. 8896-MI-B21-101.)

P.R.C
APERTURE
CARD

RHR SHUTDOWN COOLING INBOARD ISOLATION VALVE HV-E11-2F009 I



Docket # 2-387
Control # 203090234
Date 3/1/83 of Document
REGULATORY DOCKET FILE

REFERENCE DWG'S.	
BECHTEL NO.	PL. NO.
E-42	A-107191
E-149	D-107290
MI-B21-101	FF 114510
E-185	D-107354
E-324	D-107475

REV	DATE	BY	REVISION
1	11/19/82	JL	REVISED PER DCP 785.2, INCORP PCW E-1359
2	11/19/82	NG	REVISED PER DCP 538.2E, REV 2
3	1/16/83	MEL	REV VLV LIMIT TORQUE SWITCHES (DCR 422) (SEE TERMINAL 203, 204, 205)
4	1/24/83	ELK	REVISED TO INCORPORATE TERM NOS (DCR #9)
5	2/21/83	MY	ISSUED FOR CONSTRUCTION

PAENNSYLVANIA POWER & LIGHT COMPANY
ALLENTOWN, PENNSYLVANIA
BUCKHANNAN STEAM ELECTRIC STATION - UNIT 1, UNIT 2
BECHTEL - SAN FRANCISCO

SCHEMATIC DIAGRAM
RHR SHUTDOWN COOLING INBOARD ISOLATION VALVE UNIT 2

JOB No.	DRAWING No.	REV.
8856	E-153 SH 62	4

D-107302SH62

POOR ORIGINAL
UNCONTROLLED DOCUMENT
FOR REFERENCE ONLY

G2T97 SCHEMATIC SHUTDOWN ISO VALVE W

24X

Verify that the microfilm image contained on this microform was made in the normal and regular course of business. This is a true, full, correct and complete reproduction and replacement for and/or in lieu of original documents generated by the Doctel process.

JACINTO Camera Operator