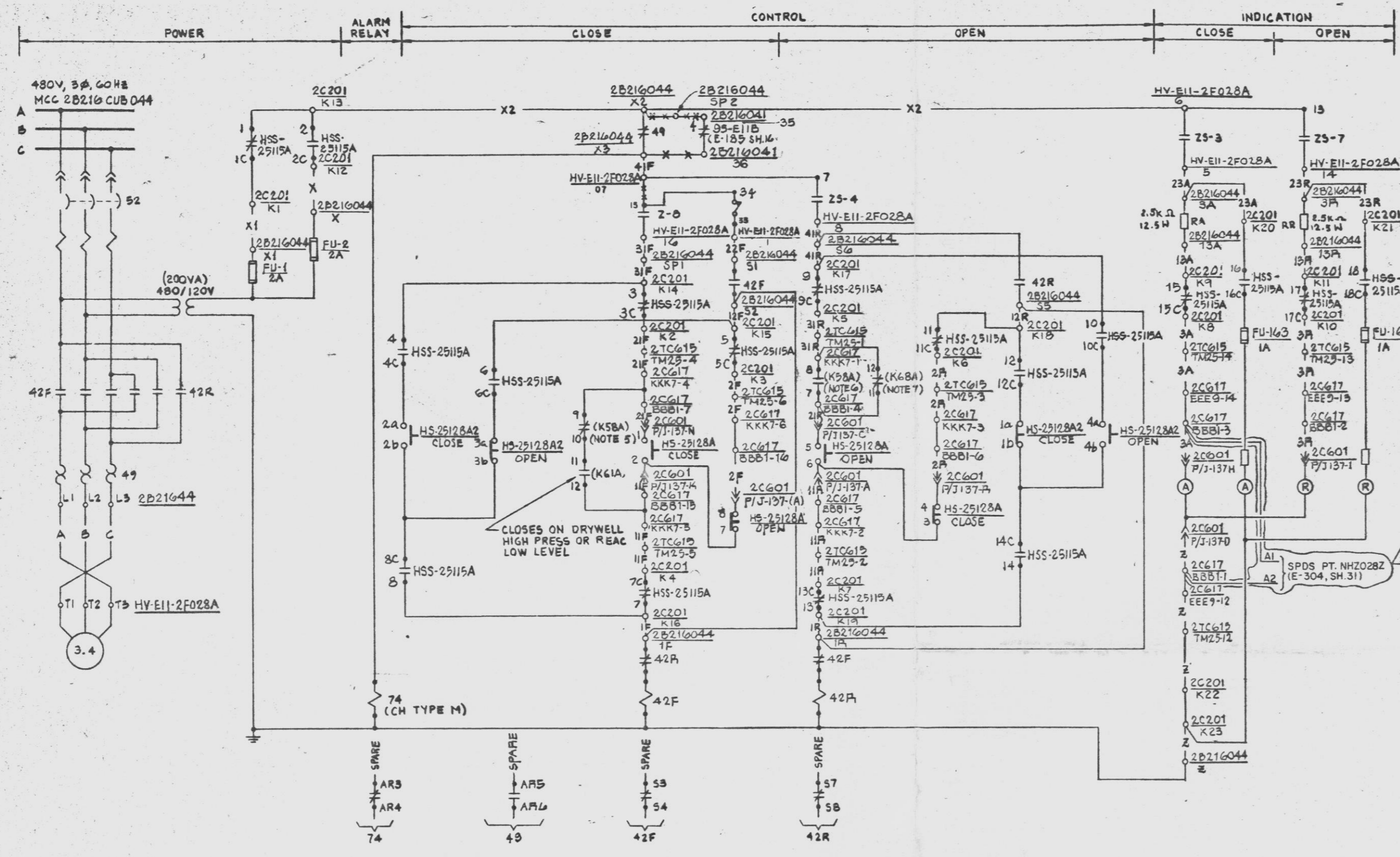


This drawing and the design it covers are the property of BECHTEL. They are hereby loaned and on the borrower's express agreement that they will not be reproduced, copied, loaned, exhibited, or used except in the limited way and for the limited time permitted by any written consent given by the lender to the borrower.



SWITCH DEVELOPMENT

BLOCK No.	CONTACT No.	POSITION		DRAWING No.
		CLOSE	AUTO OPEN	
TOP	1 L2	X		THIS SH
	3 O 4		X	THIS SH
	5 O 6		X	THIS SH
BTM	7 O 8	X		THIS SH
	9 O 10		X	THIS SH
	11 O 12		X	THIS SH

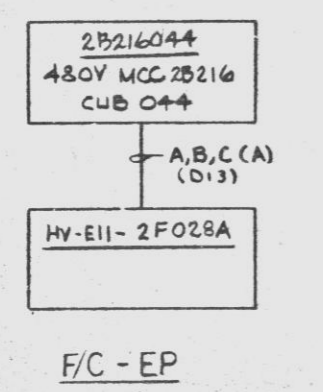
CONTROL SWITCH: HS-25128A
GENERAL ELECTRIC TYPE CR2940
KEY REMOVABLE IN CLOSE

VALVE LIMIT SWITCH DEVELOPMENT

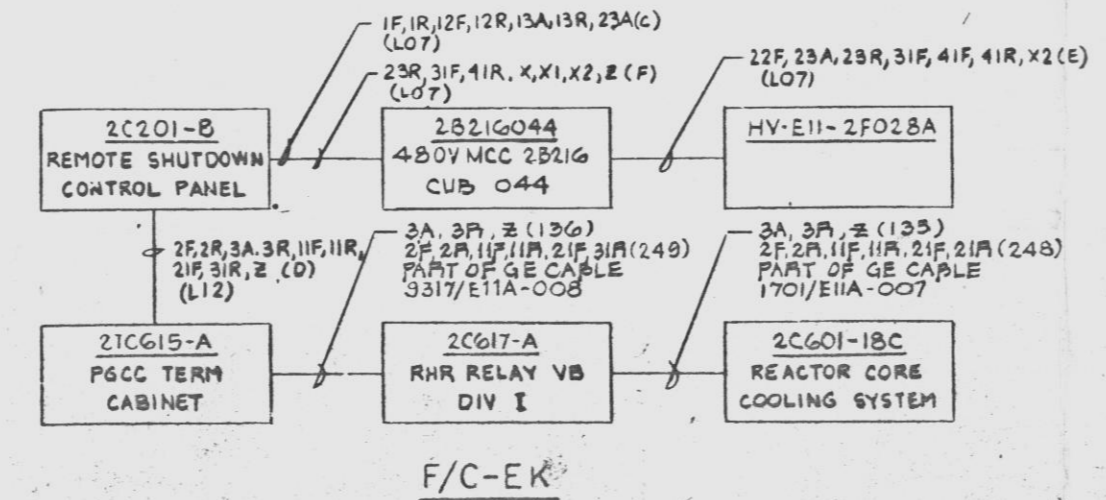
CONTACTS	100% OPEN	INTERMEDIATE	100% CONTACT CLOSED	CONTACT USED
TS-1	10-11-08			SPARE
TS-2	10-11-04			SPARE
TS-3	10-11-00			THIS SH
TS-4	10-11-08			THIS SH
TS-5	10-11-00			SPARE
TS-6	10-11-08			E-153 SH.81
TS-7	10-11-04			THIS SH
TS-8	10-11-06			THIS SH
TS-9	10-11-08			SPARE
TS-10	10-11-00			SPARE
TS-11	10-11-08			SPARE
TS-12	10-11-04			SPARE
TS-13	10-11-06			SPARE
TS-14	10-11-08			E-153 SH.65
TS-15	10-11-00			SPARE
TS-16	10-11-08			SPARE
TS-17	10-11-04			OPEN ON HIGH CLOSING TORQUE THIS SH
TS-18	10-11-06			OPEN ON HIGH OPENING TORQUE SPARE

CONTACT CLOSED

- NOTES:**
- ALL DEVICE NO. TO BE SUFFIXED BY STARTER LOCATION NO. UNLESS NOTED OTHERWISE.
 - FOR STANDARD SYMBOLS FOR ELECTRICAL DIAGRAMS, SEE DWG E-42.
 - FOR SWITCH DEVELOPMENT OF REMOTE SHUTDOWN PANEL (2C201) SWITCHES SEE E-149 SH 7 & 8.
 - NO. IN PARENTHESIS APPEARING ON SCHEMATIC DIAGRAM ARE GE DEVICE NOS.
 - CONTACT OPENS ON REACTOR ABOVE LOW LEVEL TRIP WITH DRYWELL HIGH PRESSURE OR REACTOR LOW LEVEL.
 - CONTACT CLOSURES ON REACTOR ABOVE LOW LEVEL TRIP WITH DRYWELL HIGH PRESSURE OR REACTOR LOW LEVEL.
 - CONTACT OPENS ON DRYWELL HIGH PRESSURE OR REACTOR LOW LEVEL.
 - DESIGN BASED ON GE ELEMENTARY 791E418AE (V/P 8856-MI-EI1-25(16))



RHR SUPPRESSION CHAMBER SPRAY VALVE HV-EI1-2F028A
SCHEME NO. 2Q3043 (REF SHEET 16)



PRC APERTURE CARD

POOR ORIGINAL

UNCONTROLLED DOCUMENT
FOR REFERENCE ONLY

REFERENCE DWG'S.

BECHTEL NO.	PL. NO.
E-42	A-107191
E-149	D-107298
MI-EI1-29	FF124910
E-185	D-107334

NO.	DATE	REVISIONS	BY	CHKD	APPD
1	4/6/74	REVISED PER DCP 538.2E, REV 2	NG		
2	7/4/74	REV. LS TERM (DCR 42)	UL		
3	7/31/74	REVISED PER DCP 411.13 REV. 2 & DCP 565 REV. 0 (FDI-MDBL REV. 0)	CS		
4	7/24/74	ISSUED FOR CONSTRUCTION	M.Y.		

SCALE: NONE
DESIGNED BY: J. WONG
DRAWN BY: M. H. YOUNG

PENNSYLVANIA POWER & LIGHT COMPANY
ALLENTOWN, PENNSYLVANIA
BUSHMANNIA STEAM ELECTRIC STATION - UNIT 1, UNIT 2
BECHTEL - SAN FRANCISCO

SCHEMATIC DIAGRAM
RHR SUPPRESSION CHAMBER SPRAY VALVE UNIT 2

JOB No.	DRAWING No.	REV.
8856	E-153 SH 57	3

D-107302 SH57

D