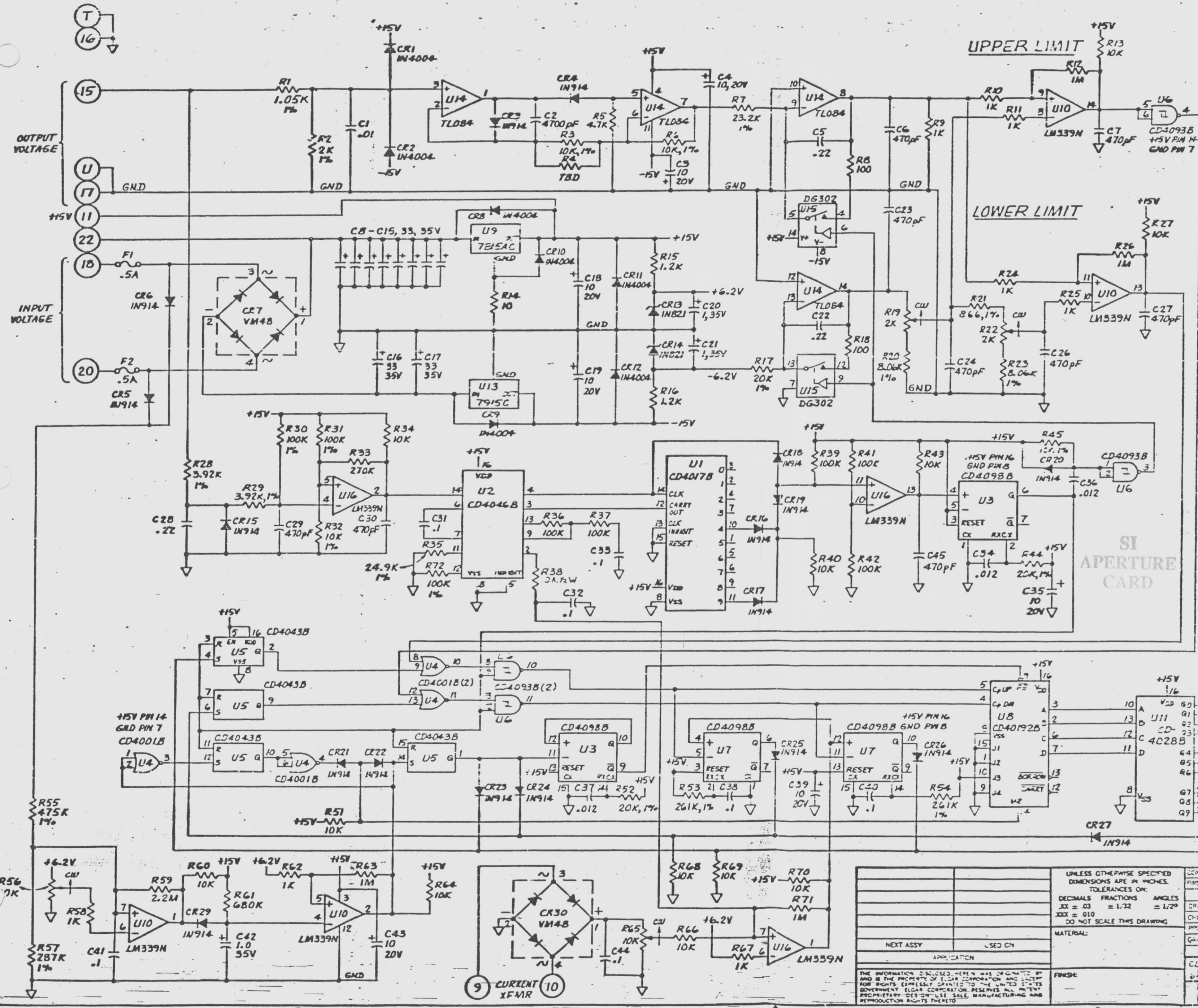


8 7 6 5 4 3 2 1

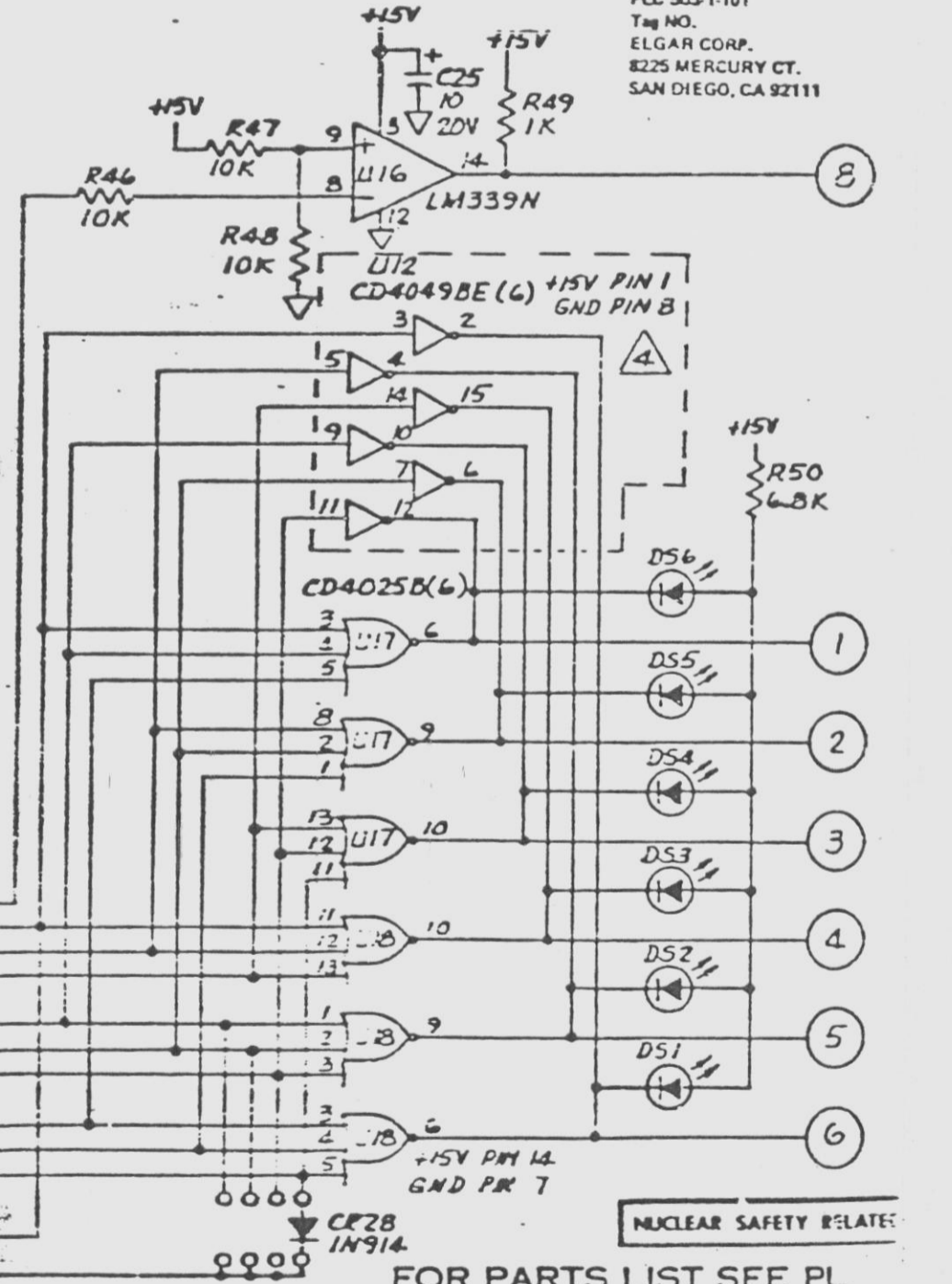
TIME LTR	DESCRIPTION	DATE	EFFECT
A	RELEASED	DP	6-7-80
B	ECN 2413	DP	11-2-81
C	ECN 2413, R. HAS 2.74K.	DP	11-4-81



FOR INFORMATION ONLY

- NOTES: UNLESS OTHERWISE SPECIFIED
1. RESISTOR VALUES ARE IN OHMS, 1/2W, 5%. 1% ARE 1/8W
 2. CAPACITOR VALUES ARE IN MICROFARADS
 3. HIGHEST USED REFERENCE DESIGNATOR: C45, CR30, DS6, F2, R72 & U18.
 4. OPTIONAL - SEE ASSY

GULF STATES UTILITIES CO.
RIVER BEND STATION UNIT 1
P.O. NO. R55-244,512-271
PLC 503-1-101
TAG NO.
ELGAR CORP.
8225 MERCURY CT.
SAN DIEGO, CA 92111



NUCLEAR SAFETY RELATED

FOR PARTS LIST SEE PL

UNLESS OTHERWISE SPECIFIED DIMENSIONS ARE IN INCHES. TOLERANCES ON: DECIMALS FRACTIONS ANGLES JXX ± 0.13 ± 1/20 DO NOT SCALE THIS DRAWING		CONTRACT NO. FIRST MADE FOR 30 2906 APPROVAL DATE DRAWN BY PRESCOTT 6-8-80 CHECKED BY PROJECT ENG. DATE 10-2-82	
MATERIAL:		ELGAR CORPORATION SAN DIEGO, CALIFORNIA	
NEXT ASSY:		SCHEMATIC - LINE REGULATOR CONTROL	
APPLICATION:		SIZE CODE IDENT. NO. DRAWING NO. D 25965 648-100-60	
FINISH:		SCALE NONE SHEET 1 OF 1	

9305070190

50-410
911070103
10/31/91
07.696.91
D